

429

F

نام:
نام خانوادگی:
محل امضا:



429F

عصر جمعه

۹۵/۰۲/۱۷



جمهوری اسلامی ایران
وزارت علوم، تحقیقات و فناوری
سازمان سنجش آموزش کشور

«اگر دانشگاه اصلاح شود مملکت اصلاح می‌شود.»
امام خمینی (ره)

آزمون ورودی دوره‌های کارشناسی ارشد ناپوسته داخل - سال ۱۳۹۵

مهندسی مکانیک بیوسیستم - کد ۱۳۱۹

مدت پاسخگویی: ۱۵۰ دقیقه

تعداد سؤال: ۱۵۰

عنوان مواد امتحانی، تعداد و شماره سؤالات

ردیف	مواد امتحانی	تعداد سؤال	از شماره	تا شماره
۱	زبان عمومی و تخصصی (انگلیسی)	۳۰	۱	۳۰
۲	ریاضیات	۳۰	۳۱	۶۰
۳	مقاومت مصالح	۳۰	۶۱	۹۰
۴	ماشین‌های کشاورزی	۳۰	۹۱	۱۲۰
۵	موتور و تراکتور	۳۰	۱۲۱	۱۵۰

این آزمون نمره منفی دارد.

استفاده از ماشین حساب مجاز نیست.

حق چاپ، تکثیر و انتشار سؤالات به هر روش (الکترونیکی و ...) پس از برگزاری آزمون، برای تمامی اشخاص حقیقی و حقوقی تنها با مجوز این سازمان مجاز می‌باشد و با متغییرین برابر مقررات رفتار می‌شود.

PART A: Vocabulary

Directions: Choose the word or phrase (1), (2), (3), or (4) that best completes the blank. Then mark the correct choice on your answer sheet.

- 1- With the pace of life in Indian metros getting faster by the day, many of the old Indian traditions have fallen into ----- and are no longer practiced.
1) indifference 2) equilibrium 3) abeyance 4) annoyance
- 2- We thought he was reliable till we realized that he had given us a ----- address.
1) dishonest 2) fake 3) skeptical 4) vulnerable
- 3- His expression was gloomy at every game; I don't think I saw him smile even when his team ----- a hundred points.
1) scored 2) connected 3) achieved 4) displayed
- 4- The approaching rain gave us a ----- excuse to escape the boring party.
1) harmless 2) monotonous 3) secret 4) plausible
- 5- The relationship between the earthworm and the garden is -----: the garden provides a home for the earthworm, while the earthworm provides manure for the garden and keeps it fertile.
1) impractical 2) symbiotic 3) latent 4) paradoxical
- 6- When it was discovered that he had been operating as a spy, he was badly ----- in the press as being a traitor.
1) incorporated 2) censured 3) concerned 4) constrained
- 7- Contemporary research into the origins of DeLong culture indicates that a hunter-gatherer society was established about 2,000 years earlier than was ----- thought.
1) similarly 2) sufficiently 3) previously 4) accurately
- 8- An attempt was made to ignore this brilliant and irregular book, but in -----; it was read all over Europe.
1) jeopardy 2) chaos 3) contempt 4) vain
- 9- He strictly warned him that if he did not take the medicine in time, the pain would not -----.
1) subside 2) degrade 3) avoid 4) collapse
- 10- To reduce -----, the company will no longer mail monthly paper statements to those with access to online statements.
1) fright 2) hesitation 3) conflict 4) waste

PART B: Cloze Passage

Directions: Read the following passage and decide which choice (1), (2), (3), or (4) best fits each space. Then mark the correct choice on your answer sheet.

Becoming a mother is a major transition, points out clinical psychologist Ann Dunnewold, (11) ----- in Dallas, Tex., provides support for mothers. New mothers give up autonomy, sleep and relationships (12) ----- to the relentless needs of a baby. On top of that, they are also expected to be in a constant state of bliss and fulfillment (13) ----- their new role. "There's a lot of pressure to be the perfect mother, (14) ----- they're not coping," Leahy-Warren says.

Making matters worse, research that demonstrates the importance of early childhood experiences in determining future success and happiness (15) ----- on moms to get it right.

- | | | | | |
|-----|---|-------------------|----------------------------------|------------------|
| 11- | 1) practices | 2) whose practice | 3) practicing | 4) she practices |
| 12- | 1) with tending | 2) tend | 3) to tend | 4) that tend |
| 13- | 1) of | 2) by | 3) in | 4) with |
| 14- | 1) and they are afraid to say | | 2) while afraid to say | |
| | 3) but they say they are afraid of what | | 4) then they say afraid they are | |
| 15- | 1) and additional pressure | | 2) add pressure | |
| | 3) puts additional pressure | | 4) and added pressure | |

PART C: Reading Comprehension:

Directions: Read the following three passages and answer the questions by choosing the best choice (1), (2), (3), or (4). Then mark the correct choice on your answer sheet.

PASSAGE 1:

To grow crops regularly in less fertile areas, the soil must be turned to bring nutrients to the surface. A major advance for this type of farming was the turnplough, also known as the mouldboard plough (UK), moldboard plow (US), or frame-plough. A coulter (or skeith) could be added to cut vertically into the ground just ahead of the share (in front of the frog), a wedge-shaped cutting edge at the bottom front of the mouldboard with the landside of the frame supporting the undershare (below-ground component). The upper parts of the frame carry (from the front) the coupling for the motive power (horses), the coulter and the landside frame. Depending on the size of the implement, and the number of furrows it is designed to plough at one time, a fore-carriage with a wheel or wheels (known as a furrow wheel and support wheel) may be added to support the frame (wheeled plough). In the case of a single-furrow plough there is only one wheel at the front and handles at the rear for the ploughman to steer and manoeuvre it. When dragged through a field the coulter cuts down into the soil and the share cuts horizontally from the previous furrow to the vertical cut. This releases a rectangular strip of sod that is then lifted by the share and carried by the mouldboard up and over, so that the strip of sod (slice of the topsoil) that is being cut lifts and rolls over as the plough moves forward, dropping back to the ground upside down into the furrow and onto the turned soil from the previous run down the field. Each gap in the ground where the soil has been lifted and moved across (usually to the right) is called a furrow.

- 16- It is stated in the passage that -----
- 1) the landside frame is part of the moldboard plow
 - 2) a fore-carriage is a wheel added to support the frame
 - 3) 'frog' is the wedge-shaped edge of the mouldboard
 - 4) the coulter links the upper parts of the frame to land

- 17- **The passage mentions that -----**
 1) furrows are formed by vertical gaps in the ploughed ground
 2) ploughmen manoeuvre the mouldboard with a tractor
 3) the action of the coulter results in rectangular strips of sod
 4) coulters are special skeiths added to a share for vertical cuts
- 18- **The passage points to the fact that -----**
 1) mouldboards are lifted and rolled over by the share
 2) the landside of a frame is a below-ground component
 3) frame-ploughs are particularly used in less fertile areas
 4) moldboard plows can plough up to five furrows at a time
- 19- **According to the passage,-----**
 1) furrows drop back onto one another during ploughing
 2) single-furrow ploughs have only one support wheel
 3) the nutrients of soil are often seen on its surface
 4) coulters cut the soil upside down before the share
- 20- **The word 'implement' in the passage (underlined) is closest to -----**
 1) 'yield' 2) 'land' 3) 'project' 4) 'equipment'

PASSAGE 2:

A telescopic handler, telehandler or teleporter is a machine widely used in agriculture and industry. It is similar in appearance and function to a forklift but is more a crane than forklift, with the increased versatility of a single telescopic boom that can extend forwards and upwards from the vehicle. On the end of the boom the operator can fit one of several attachments, such as a bucket, pallet forks, muck grab, or winch. In industry the most common attachment for a tele-handler is pallet forks and the most common application is to move loads to and from places unreachable for a conventional forklift. For example, telehandlers have the ability to remove palletised cargo from within a trailer and to place loads on rooftops and other high places. The latter application would otherwise require a crane, which is not always practical or time-efficient. In agriculture the most common attachment for a tele-handler is a bucket or bucket grab, again the most common application is to move loads to and from places unreachable for a 'conventional machine' which in this case is a wheeled loader or backhoe loader. For example, telehandlers have the ability to reach directly into a high-sided trailer or hopper. The latter application would otherwise require a loading ramp, conveyor, or similar. The telehandler can also work with a crane jib along with lifting loads, that attachments that include on the market are dirt buckets, grain buckets, rotators, power booms.

The agricultural range can also be fitted with three point linkage and power take-off. The advantage of the telehandler is also its biggest limitation: as the boom extends or raises while bearing a load, it acts as a lever and causes the vehicle to become increasingly unstable, despite counterweights in the rear.

- 21- According to the passage, -----
- 1) the most common attachment for a bucket is a bucket grab
 - 2) a loading ramp can reach directly into a high-sided trailer
 - 3) telescopic booms extend only backwards and forwards
 - 4) dirt buckets have grain buckets, rotators and power booms
- 22- It is mentioned in the passage that -----.
- 1) muck grabs can be fixed on a teleporter
 - 2) cranes are not often time-efficient
 - 3) the levers on a teleporter are unstable
 - 4) forklifts act exactly like big cranes
- 23- It is stated in the passage that -----
- 1) booms can extend without raising to bearing a load
 - 2) telehandlers are used more widely in industry than farming
 - 3) industrial buckets are a common attachment for tele-handlers
 - 4) telescopic handlers have counterweights in their rear
- 24- The passage points to the fact that-----
- 1) telehandlers can also function as 'high-sided trailers'
 - 2) backhoe loaders are larger than wheeled loaders
 - 3) forklifts are unable to place loads on rooftops
 - 4) palletised cargo cannot move within a trailer
- 25- The word 'jib' in the passage (underlined) is best related to the word-----
- 1) 'bottom'
 - 2) 'arm'
 - 3) 'leg'
 - 4) 'side'

PASSAGE 3:

Unlike most bulldozers, most loaders are wheeled and not tracked, although track loaders are common. They are successful where sharp edged materials in construction debris would damage rubber wheels, or where the ground is soft and muddy. In construction areas loaders are also used to transport building materials - such as bricks, pipe, metal bars, and digging tools - over short distances. Front loaders are commonly used to remove snow especially from sidewalks, parking lots, and other areas too small for using snowplows and other heavy equipment. They are sometimes used as snowplows with a snowplow attachment but commonly have a bucket or snowbasket, which can also be used to load snow into the rear compartment of a snowplow or dump truck. High-tip buckets are suitable for light materials such as chip, peat and light gravel and when the bucket is emptied from a height. Unlike backhoes or standard tractors fitted with a front bucket, many large loaders do not use automotive steering mechanisms. Instead, they steer by a hydraulically actuated pivot point set exactly between the front and rear axles. This is referred to as "articulated steering" and allows the front axle to be solid, allowing it to carry greater weight. Articulated steering provides better maneuverability for a given wheelbase. Since the front wheels and attachment rotate on the same axis, the operator is able to "steer" his load in an arc after positioning the machine. The tradeoff is that when the machine is "twisted" to one side and a heavy load is lifted high, it has a greater risk of turning over to the "wide" side. Front loaders have gained popularity during the last two decades, especially in urban engineering projects and small earthmoving works. Heavy equipment manufacturers offer a wide range of loader sizes and duties.

- 26- We understand from the passage that-----
- 1) snowplows are not normally used in parking lots
 - 2) front loaders used to be popular in earthmoving works
 - 3) 'articulated steering' is used only on heavy loaders
 - 4) loaders are not as efficient as backhoes in moving objects
- 27- The passage points to the fact that-----
- 1) loader's operators usually have to 'steer loads in an arc
 - 2) high-tip buckets are made of light materials such as chip
 - 3) articulated steering can be used on nearly any given wheelbase
 - 4) loaders can take greater weight on their front axle than backhoes
- 28- The passage suggests that-----
- 1) wheeled loaders are not efficient on soft and muddy ground
 - 2) loaders are mainly of three standard sizes with defined duties
 - 3) attachments on a loader's front wheels rotate on a double axis
 - 4) there is little risk of a load turning over to on side on a loader
- 29- According to the passage, -----
- 1) snowplows are loaders with a large snowbasket on top
 - 2) backhoes can use automotive steering mechanisms
 - 3) hydraulically actuated pivots are set on rear axles
 - 4) loaders are rarely 'twisted' to one side, if ever
- 30- The word 'peat' in the passage (underlined) refers to material that is chiefly used as / for -----
- 1) 'fertiliser'
 - 2) 'construction'
 - 3) 'fuel'
 - 4) 'irrigation'

ریاضیات:

- ۳۱- اگر $f(x) = 2^x$, $g(x) = \sqrt{\sin^{-1} x}$ باشند، دامنه تابع $g \circ f^{-1}$ کدام بازه است؟
- (۱) $[0, 1]$
 - (۲) $[0, 2]$
 - (۳) $[1, 2]$
 - (۴) $[1, \pi]$

- ۳۲- اگر $S_n = \sum_{P=1}^{2n} (-1)^{P+1} P$ و $x_n = \frac{S_n}{\sqrt{n^2+1} + \sqrt{4n^2-1}}$ باشد، $\lim_{n \rightarrow \infty} x_n$ کدام است؟
- (۱) $-\frac{1}{4}$
 - (۲) $-\frac{1}{3}$
 - (۳) $-\frac{1}{2}$
 - (۴) $-\frac{2}{3}$

۳۳- شیب خط قائم بر منحنی به معادله $\begin{cases} x = 1 + \cos 2t & ; 0 \leq t < \pi \\ y = \sin 2t \end{cases}$ در مبدا مختصات کدام است؟

- (۱) ۱
- (۲) ∞
- (۳) -۱
- (۴) صفر

۳۴- حد عبارت $\frac{e^x \cos x - 1 - x}{x^3}$ وقتی $x \rightarrow 0$ کدام است؟

- (۱) ∞
- (۲) $-\frac{1}{3}$
- (۳) ۰
- (۴) $\frac{1}{3}$

۳۵- فاصله مبدا مختصات از خط مجانب نمودار تابع $y = 2xe^{\frac{1}{x}}$ کدام است؟

- (۱) $\frac{2}{\sqrt{5}}$
- (۲) $\frac{\sqrt{5}}{2}$
- (۳) $\sqrt{5}$
- (۴) $2\sqrt{5}$

۳۶- نمودار تابع $y = x^2 e^{-2x}$ در کدام بازه صعودی و تقعر نمودار آن رو به بالا است؟

- (۱) $(-\infty, 0)$
- (۲) $(0, \frac{3}{2})$
- (۳) $(0, \frac{3-\sqrt{3}}{2})$
- (۴) $(\frac{3-\sqrt{3}}{2}, \frac{3}{2})$

۳۷- مساحت ناحیه محدود به منحنی $y = \frac{1}{\sqrt{x+16} - \sqrt{x}}$ و محور x ها و دو خط به معادلات $x=0$ و $x=9$ کدام

است؟

(۱) $\frac{7}{3}$

(۲) $\frac{11}{3}$

(۳) $\frac{13}{3}$

(۴) $\frac{14}{3}$

۳۸- حاصل $\lim_{x \rightarrow 1} \frac{\int_1^x \ln t dt}{(x-1)^2}$ کدام است؟

(۱) $\frac{1}{2}$

(۲) ۱

(۳) ۲

(۴) ∞

۳۹- منحنی به معادله $y = \sqrt{x}$ در بازه $[0, 2]$ را حول محور x ها دوران می‌دهیم. اندازه سطح رویه دوار حاصل کدام

است؟

(۱) $\frac{11\pi}{6}$

(۲) $\frac{13\pi}{6}$

(۳) $\frac{11\pi}{3}$

(۴) $\frac{13\pi}{3}$

۴۰- حجم جسم حاصل از دوران منحنی قطبی $r = \cos \theta$ حول محور قطبی کدام است؟

(۱) $\frac{\pi}{3}$

(۲) $\frac{\pi}{4}$

(۳) $\frac{\pi}{6}$

(۴) $\frac{\pi}{12}$

۴۱- ضلع یک مکعب با خطای احتمالی ۰٫۰۱ واحد برابر ۱۶ واحد اندازه‌گیری شده است. با استفاده از دیفرانسیل خطای تقریب در محاسبه حجم مکعب، کدام است؟

(۱) ۶٫۲۴

(۲) ۶٫۷۸

(۳) ۷٫۱۲

(۴) ۷٫۶۸

۴۲- حاصل ضرب دو عدد مختلط $\sqrt{2}(\cos \frac{\pi}{7} + i \sin \frac{\pi}{7})$ و $2\sqrt{2}(\cos \frac{5\pi}{14} + i \sin \frac{5\pi}{14})$ ، کدام است؟

(۱) ۴i

(۲) ۴

(۳) -۴

(۴) -۴i

۴۳- مجموع سری $\sum_{n=1}^{\infty} (\frac{2^n + 1}{4^n})$ ، کدام است؟

(۱) $\frac{5}{3}$

(۲) $\frac{4}{3}$

(۳) $\frac{3}{2}$

(۴) $\frac{5}{4}$

۴۴- اگر $|x| < 1$ ؛ $f(x) = \sum_{n=0}^{\infty} x^n$ باشد، مقدار $f'(\frac{1}{4})$ کدام است؟

(۱) $\frac{1}{2}$

(۲) ۱

(۳) ۲

(۴) ۴

۴۵- به ازای کدام مقدار a، دستگاه معادلات زیر جواب‌های غیرصفر دارد؟

$$\begin{cases} x - 2z = 0 \\ 2x + ay + z = 0 \\ 4y - 2z = 0 \end{cases}$$

(۱) -۱۴

(۲) -۱۲

(۳) ۶

(۴) ۷

۴۶- اگر $A = \begin{bmatrix} -2 & 3 \\ 4 & 2 \end{bmatrix}$ و X ماتریس ستونی غیر صفر و λ عدد حقیقی باشد، به طوری که $AX = \lambda X$ آنگاه λ کدام است؟

- (۱) $-3, 2$
 (۲) $-3, 4$
 (۳) $-4, 2$
 (۴) $-4, 4$

۴۷- مشتق سویی تابع $f(x, y) = x^2y - 2xy^2$ در نقطه $(2, -1)$ ، در امتداد بردار $3i + 4j$ کدام است؟

- (۱) $-5/2$
 (۲) $-4/8$
 (۳) $2/6$
 (۴) $6/4$

۴۸- برد تابع دو متغیری $Z = \sqrt{17 + 16x + 24y - 2x^2 - 2y^2}$ ، در کدام بازه است؟

- (۱) $[0, 8]$
 (۲) $[0, 9]$
 (۳) $[1, 8]$
 (۴) $[1, 9]$

۴۹- در بسط تابع $f(x) = (x-1)e^x$ بر حسب توان‌های صعودی x ، ضریب x^4 کدام است؟

- (۱) $\frac{1}{8}$
 (۲) $\frac{1}{6}$
 (۳) $\frac{2}{16}$
 (۴) $\frac{5}{24}$

۵۰- مقدار تابع $z = \ln(x^2 + \sqrt{y})$ در نقطه $(1/97, 1/04)$ چقدر از $\ln 5$ کمتر است؟

- (۱) $0,01$
 (۲) $0,012$
 (۳) $0,015$
 (۴) $0,02$

۵۱- تابع $z = (x^2 + 2x + y)e^y$ در نقطه بحرانی خود، کدام وضع را دارد؟

- (۱) $Z = -1$ زینی
 (۲) $Z = -1$ می نیمم نسبی
 (۳) $Z = 1$ می نیمم نسبی
 (۴) $Z = -1$ ماکزیمم نسبی

۵۲- از رابطه $z^2 - xe^{y-2x} - 2y^2 = 0$ مقدار $\frac{\partial z}{\partial x}$ در نقطه $(1, 2, -3)$ ، کدام است؟

(۱) $-\frac{1}{6}$

(۲) $-\frac{1}{3}$

(۳) $\frac{1}{6}$

(۴) $\frac{1}{3}$

۵۳- معادله صفحه قائم بر منحنی (C) فصل مشترک کره $x^2 + y^2 + z^2 = 9$ و صفحه $x - 2y + z = 7$ در نقطه $(1, -2, 2)$ ، کدام است؟

(۱) $x + 2y = -3$

(۲) $2x + y - z = -2$

(۳) $2x + y = 0$

(۴) $2x - y + z = 5$

۵۴- حاصل $\iint_A \frac{y^2}{\sqrt{1-x^2}} dx dy$ ، که در آن ناحیه A مستطیلی، محدود به محورهای مختصات و دو خط $y=1, x=1$ باشد، کدام است؟

(۱) $\frac{\pi}{12}$

(۲) $\frac{\pi}{6}$

(۳) $\frac{\pi}{3}$

(۴) $\frac{\pi}{2}$

۵۵- جسم نازک همگن محدود به منحنی $y = 2x - x^2$ و محور xها مفروض است. فاصله مرکز ثقل آن از محور xها کدام است؟

(۱) $0,36$

(۲) $0,4$

(۳) $0,45$

(۴) $0,5$

۵۶- حاصل $\int_C (x+y)dx + (x-y)dy$ که در آن C بیضی به معادله $y = \pm 2\sqrt{4-x^2}$ و $-2 \leq x \leq 2$ باشد، کدام

است؟

(۱) $-\frac{2}{3}$

(۲) $\frac{4}{3}$

(۳) صفر

(۴) ۲

۵۷- جواب خصوصی معادله دیفرانسیل $y'' - 2y' + y = e^x$ ، کدام است؟

(۱) $\frac{1}{3}x^2e^x$

(۲) $\frac{1}{2}xe^x$

(۳) $\frac{1}{4}xe^x$

(۴) $\frac{1}{2}x^2e^x$

۵۸- عامل انتگرال کننده معادله دیفرانسیل $(x-1)^2 \frac{dy}{dx} + 2(x-1)y = x+1$ کدام است؟

(۱) $x-1$

(۲) $\frac{1}{x-1}$

(۳) $\frac{1}{x+1}$

(۴) $x+1$

۵۹- یکی از منحنی‌های معادله دیفرانسیل $xy(1+x^2)y' = 1+y^2$ از نقطه $(1, 2)$ می‌گذرد، معادله مجانب افقی آن

کدام است؟

(۱) -1

(۲) ۱

(۳) ۲

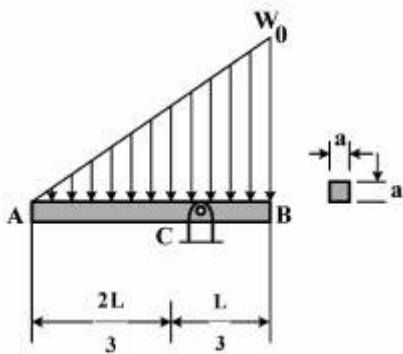
(۴) ۳

۶۰- حجم محدود به دو رویه $z = x^2 + y^2$ و $z = \frac{1}{4}(x^2 + y^2 + 1)$ کدام است؟

- (۱) $\frac{\pi}{4}$
- (۲) $\frac{\pi}{3}$
- (۳) $\frac{\pi}{2}$
- (۴) $\frac{2\pi}{4}$

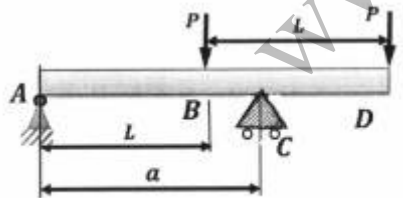
مقاومت مصالح:

۶۱- تیر AB به طول L و با مقطع مربعی به ضلع a، مطابق شکل بارگذاری شده است. حداکثر تنشی که در نقطه C اتفاق می افتد، کدام است؟ (تیر در حال تعادل است)



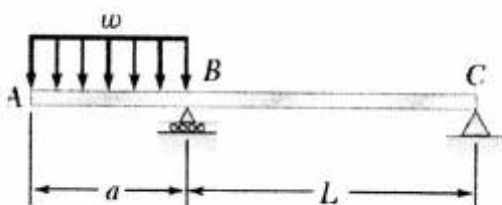
- (۱) $\frac{Wl^2}{3,375a^2}$
- (۲) $\frac{W.l^2}{1,5a^2}$
- (۳) $\frac{Wl^2}{4,5a^2}$
- (۴) $\frac{W.l^2}{4,375a^2}$

۶۲- برای بارگذاری شکل، مقدار a را طوری تعیین کنید تا بیشینه گشتاور وارده به تیر کمترین مقدار شود؟



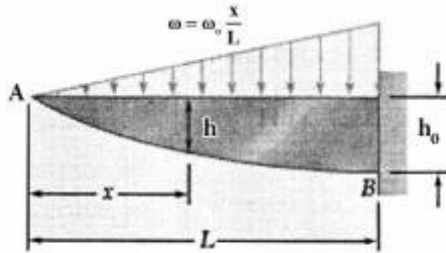
- (۱) L
- (۲) $\frac{3}{2}L$
- (۳) $(\sqrt{3}-1)L$
- (۴) $\sqrt{3}L$

۶۳- در تیر نشان داده شده لنگر خمشی در فاصله $\frac{L}{4}$ از C کدام است؟



- (۱) $\frac{WL^2}{8}$
- (۲) $\frac{Wa^2}{4}$
- (۳) $\frac{WL^2}{4}$
- (۴) $\frac{Wa^2}{8}$

۶۴- تیر AB از یک ورق چدنی با ضخامت b و طول L و با تنش مجاز σ_{all} ساخته شده است. بار گسترده ω بر آن اعمال می‌شود اگر تیر هم مقاومت باشد (مقاومت ثابت) h را بر حسب X, L, h_0 و σ_{all} کدام است؟



$$h = h_0 \left(\frac{x}{L} \right)^{\frac{1}{2}} \quad (1)$$

$$h = h_0 \left(\frac{x}{L} \right)^{\frac{2}{3}} \quad (2)$$

$$h = h_0 \left(\frac{x}{L} \right)^{\frac{3}{2}} \quad (3)$$

$$h = h_0 \left(\frac{x}{L} \right)^{\frac{1}{3}} \quad (4)$$

۶۵- یک محور مدور توپر به قطر D و طول L تحت تأثیر گشتاور پیچشی T قرار دارد. در صورتی که سوراخی به قطر d در طول محور ایجاد شود و گشتاور پیچشی نیز دو برابر شود، حداکثر تنش برشی ایجاد شده در محور در این حالت چند برابر محور مدور توپر است؟

$$4 \quad (1)$$

$$\frac{8}{15} \quad (2)$$

$$\frac{4}{15} \quad (3)$$

$$8 \quad (4)$$

۶۶- در خمش یک تیر متشکل از دو ماده مختلف، وضع توزیع تنش و کرنش به ترتیب چگونه است؟

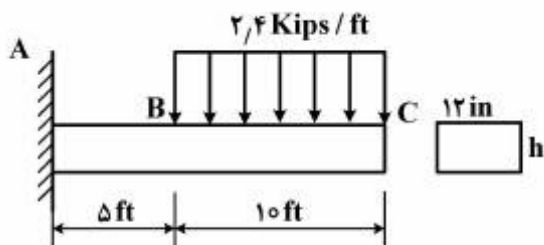
(۱) ناپیوسته، ناپیوسته

(۲) پیوسته، پیوسته

(۳) پیوسته، ناپیوسته

(۴) ناپیوسته، پیوسته

۶۷- برای تیر و بار نشان داده شده، ارتفاع مقطع عرضی تیر را طوری طراحی کنید که تنش بیشینه از ۳۶۰ پوند بر اینچ بیشتر نشود؟



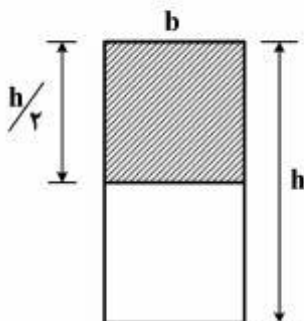
$$2 \quad (1)$$

$$2/5 \quad (2)$$

$$1/75 \quad (3)$$

$$2/75 \quad (4)$$

۶۸- گشتاور خمشی M بر تیر با سطح داده شده وارد می‌شود، نیروی وارده بر قسمت هاشور خورده چند برابر است؟

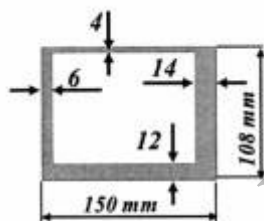


- (۱) $\frac{1}{2}$
 (۲) $\frac{2}{3}$
 (۳) $\frac{3}{2}$
 (۴) $\frac{3}{2}$

۶۹- انرژی جذب شده توسط میله استوانه‌ای توپر که تحت تأثیر لنگر پیچشی ثابتی قرار دارد، برحسب تنش برشی بیشینه و حجم مصالح کدام است؟

- (۱) $\frac{\tau^2 V}{4G}$
 (۲) $\frac{\tau^2 V^2}{4G}$
 (۳) $\frac{\tau^2 V}{2G}$
 (۴) $\frac{\tau^2 V^2}{2G}$

۷۰- گشتاور پیچشی 560 N.m بر میل گردان جدار نازک توخالی فولادی با سطح مقطع نشان داده شده وارد می‌شود. اگر از تمرکز تنش صرفه نظر شود، تنش برشی بیشینه چند MPa خواهد بود؟

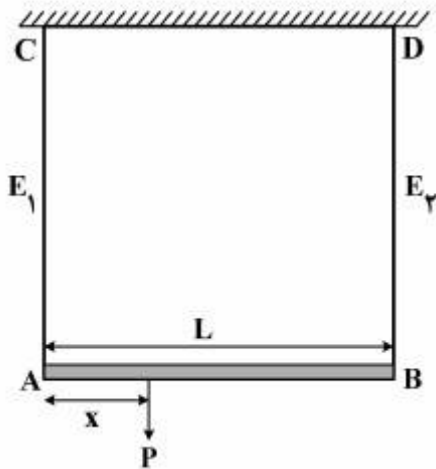


- (۱) ۳
 (۲) ۴
 (۳) ۵
 (۴) ۷

۷۱- مواد شکل‌پذیر معمولاً تحت می‌شکنند و موقعی که در معرض پیچش قرار می‌گیرد، در امتداد صفحه‌ای می‌شکنند.

- (۱) کشش - با زاویه 45°
 (۲) برش - عمود بر محور طولی
 (۳) کشش - عمود بر محور طولی
 (۴) برش - با زاویه 45°

۷۲- میله بدون وزن AB توسط دو کابل با طول و سطح مقطع یکسان ولی مدول الاستیسیته متفاوت ($E_2 = 2E_1$) نگهداری می‌شود. محل اثر بار P برای اینکه میله AB به صورت افقی باقی بماند، مقدار طول x کدام است؟



(۱) $\frac{1}{4}L$

(۲) $\frac{3}{4}L$

(۳) $\frac{1}{3}L$

(۴) $\frac{2}{3}L$

۷۳- چنان که در آزمایش کشش حجم نمونه ثابت بماند و قطر اولیه نمونه d_1 باشد لحظه‌ای که قطر نمونه d هست، چه رابطه‌ای بین قطرها و کرنش حقیقی ϵ برقرار است؟

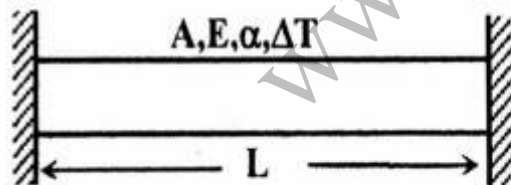
(۱) $2 \ln \frac{d_1}{d}$

(۲) $\ln \frac{d_1}{d}$

(۳) $2 \ln \frac{d}{d_1}$

(۴) $\ln \frac{d}{d_1}$

۷۴- میله‌ای به طول L و ضریب انبساط حرارتی α به اندازه ΔT حرارت داده شده است. تنش برشی بیشینه در آن کدام است؟



(۱) ۰

(۲) $\frac{E\alpha\Delta T}{2}$

(۳) $E\alpha\Delta T$

(۴) $\frac{E\alpha\Delta T}{4}$

۷۵- در ماهیچه نشان داده شده در یک مقدار ثابت از $\frac{D}{d}$ ، چنان که $\frac{r}{d}$ افزایش یابد، ضریب تمرکز تنش چه تغییری می‌کند؟



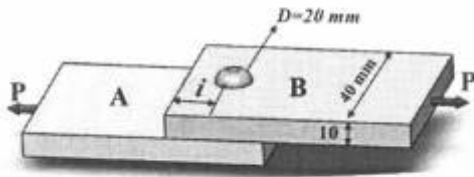
(۱) کاهش می‌یابد

(۲) افزایش می‌یابد

(۳) تغییری نمی‌کند

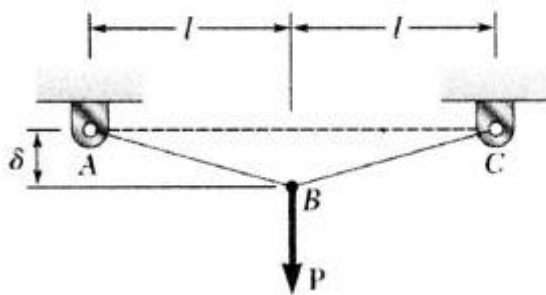
(۴) نمی‌توان پیش‌بینی کرد

۷۶- دو تخته A و B با تنش مجاز کششی ۲۰ MPa و برشی ۱۰ MPa مطابق شکل به وسیله پرچی صلب به قطر ۲۰ mm به هم متصل شده‌اند. حداقل فاصله پرچ از انتهای صفحات (i) چند میلیمتر است؟



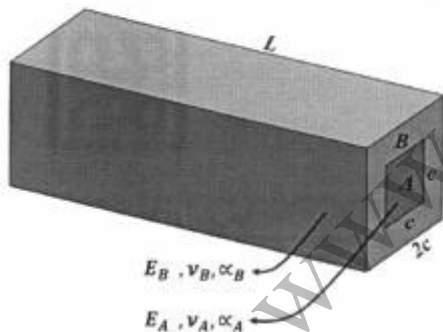
- (۱) ۴۰
- (۲) ۳۰
- (۳) ۲۰
- (۴) ۱۰

۷۷- سیم ABC به طول اولیه ۲۱ بین دو تیکه‌گاه A و C مهار گشته و نیروی P در وسط بر آن اعمال می‌شود. اگر δ خیلی کوچکتر از l باشد مقدار آن برابر کدام است؟ $\delta \ll l$



- (۱) $\delta = l^3 \sqrt{\frac{P}{2AE}}$
- (۲) $\delta = l^3 \sqrt{\frac{2P}{2AE}}$
- (۳) $\delta = 2l^3 \sqrt{\frac{P}{AE}}$
- (۴) $\delta = l^3 \sqrt{\frac{P}{AE}}$

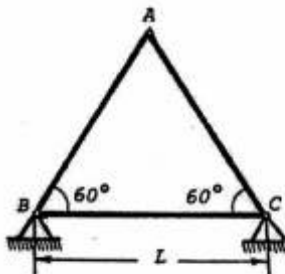
۷۸- اگر σ_L و σ_C به ترتیب تنش متوسط طولی و عرضی وارده به قطعه A از تیر مرکب نشان داده شده در اثر تغییر دما (ΔT) باشد، کرنش طولی قطعه A کدام است؟ ($\alpha_A < \alpha_B$)



- (۱) $\alpha_A \Delta T + \frac{(\sigma_L - \nu \sigma_C)}{E}$
- (۲) $\alpha_A \Delta T + \frac{(\sigma_L - 2\nu \sigma_C)}{E}$
- (۳) $\alpha_A \Delta T - \frac{(\sigma_L - \nu \sigma_C)}{E}$
- (۴) $\alpha_A \Delta T - \frac{(\sigma_L - 2\nu \sigma_C)}{E}$

۷۹- اعضای خرپای نشان داده شده از فلزی با مدول یانگ E و ضریب انبساط حرارتی α تشکیل شده‌اند. سطح مقطع

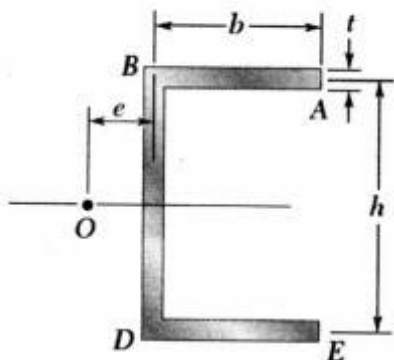
میله‌های AB و AC برابر A و سطح مقطع میله‌ی BC برابر $\frac{A}{2}$ است. اگر دما به اندازه ΔT کاهش یابد. تنش ایجاد



شده در میله AB چقدر است؟

- (۱) $\frac{E\alpha\Delta T}{\cos 60}$
- (۲) $E\alpha\Delta T \cos 60$
- (۳) صفر
- (۴) $E\alpha\Delta T$

۸۰- مرکز برش پروفیل نشان داده شده، (e) برابر کدام است؟



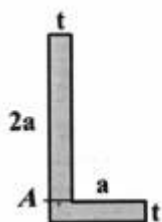
(۱) $\frac{th^2b}{4I}$

(۲) $\frac{th^2b^2}{4I}$

(۳) $\frac{th^2b^2}{2I}$

(۴) $\frac{thb^2}{4I}$

۸۱- نبشی به ابعاد $2a \times a$ و ضخامت کم $t \ll a$ تحت تأثیر تلاش برشی عمودی قرار گرفته است. نسبت تنش برشی در مقطع A به تنش برشی بیشینه چقدر است؟



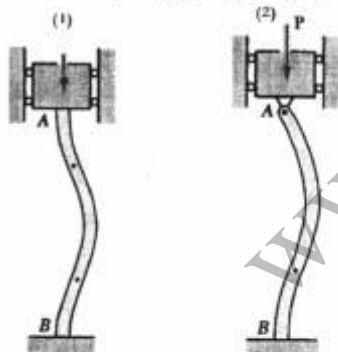
(۱) $\frac{2}{3}$

(۲) $\frac{1}{3}$

(۳) $\frac{1}{9}$

(۴) $\frac{3}{4}$

۸۲- اگر طول خط مرکز ستون‌های نشان داده شده برابر L باشد، طول موثر ستون‌های ۱ و ۲ به ترتیب برابر کدام است؟



(۱) L, L

(۲) $0.5L, 2L$

(۳) $0.5L, 0.7L$

(۴) $0.7L, L$

۸۳- چنانچه ضریب لاغری ستونی نصف شود، تنش بحرانی آن چه تغییری می‌کند؟

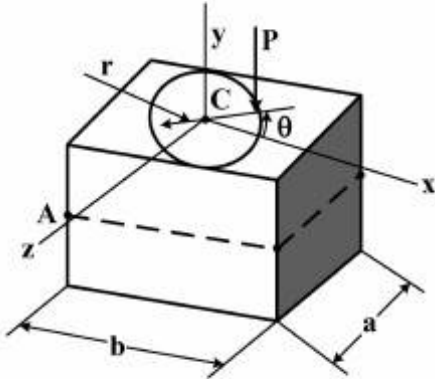
(۲) نصف می‌شود

(۱) یک چهارم می‌شود

(۴) چهار برابر می‌شود

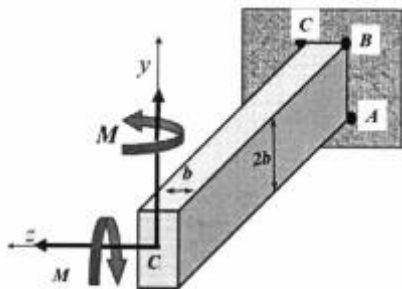
(۳) دو برابر می‌شود

۸۴- طبق شکل نیروی P با سرعت ثابت بر روی دایره‌ای به شعاع r حرکت می‌کند. کدام رابطه، تنش عمود نقطه A را نشان می‌دهند؟



- (۱) $\frac{6Pr}{ab} \left(\frac{\sin \theta}{a} + \frac{\cos \theta}{b} - \frac{1}{6r} \right)$
- (۲) $\frac{6Pr}{ab} \left(\frac{\sin \theta}{b} + \frac{\cos \theta}{a} - \frac{1}{6r} \right)$
- (۳) $\frac{6Pr}{ab} \left(\frac{\sin \theta}{a} - \frac{\cos \theta}{b} - \frac{1}{6r} \right)$
- (۴) $\frac{-6Pr}{ab} \left(\frac{\sin \theta}{b} + \frac{\cos \theta}{a} + \frac{1}{6r} \right)$

۸۵- در تیر با بارگذاری نشان داده شده بیشترین مقدار تنش فشاری و محل آن برابر کدام مورد است؟



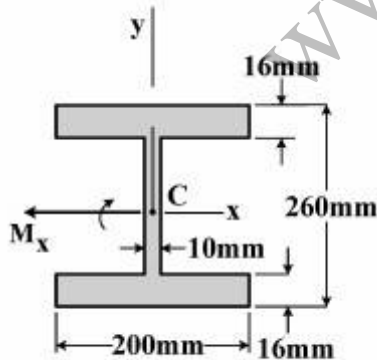
- (۱) C و $\frac{8M}{3b^2}$
- (۲) C و $\frac{7M}{2b^3}$
- (۳) B و $\frac{9M}{2b^3}$
- (۴) B و $\frac{9M}{b^4}$

۸۶- با لانه زنبوری کردن تیرهای I، شکل مقاومت خمشی و مقاومت برشی به ترتیب چه تغییری می‌یابند؟

- (۱) کاهش - کاهش
- (۲) کاهش - افزایش
- (۳) افزایش - افزایش
- (۴) افزایش - کاهش

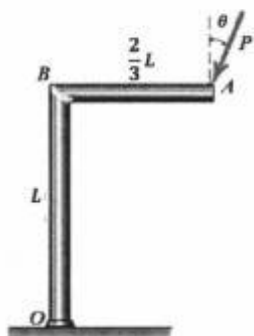
۸۷- تیر فولادی نشان داده شده از نوعی فولاد با تنش تسلیم قائم ۲۵۰ مگاپاسکال و تنش نهایی قائم ۴۰۰ مگاپاسکال ساخته شده است. با استفاده از ضریب اطمینان ۲/۵، حداکثر گشتاوری را که می‌توان حول محور X اعمال کرد

چند نیوتن متر است؟ ($I_x = 130 \times 10^6 \text{ m}^4$)



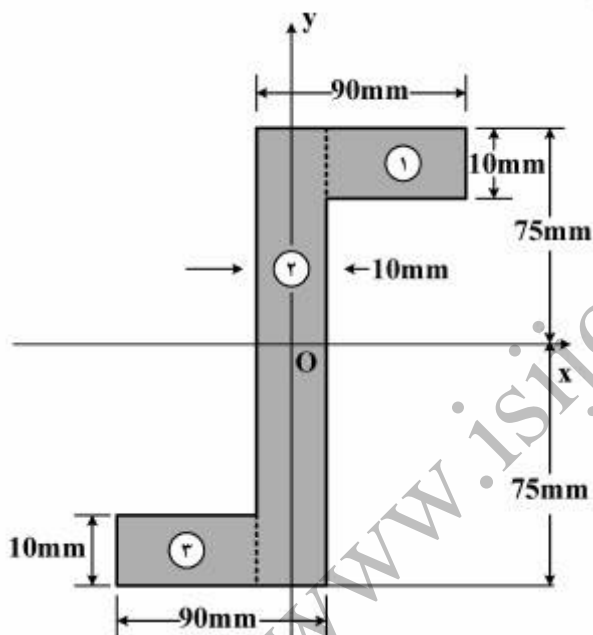
- (۱) 140×10^3
- (۲) 160×10^3
- (۳) 169×10^3
- (۴) 159×10^4

۸۸- در بارگذاری نشان داده شده زاویه θ چند درجه باشد تا تغییر مکان افقی نقطه B برابر صفر گردد؟



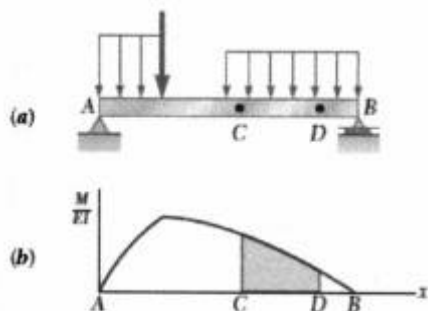
- (۱) ۶۰
- (۲) ۴۵
- (۳) ۳۰
- (۴) ۱۵

۸۹- برای مقطع نشان داده شده در شکل روبرو مقدار I_{xy} برحسب mm^4 چقدر است؟



- (۱) $5,04 \times 10^6$
- (۲) $10,04 \times 10^6$
- (۳) $15,04 \times 10^6$
- (۴) $25,2 \times 10^6$

۹۰- منحنی تغییرات $\frac{M}{EI}$ برای تیری با بارگذاری دلخواه نشان داده شده است. گشتاور اول سطح زیر منحنی یاد شده



بین نقاط C و D نسبت به C برابر کدام است؟

- (۱) خیز نقطه D نسبت به C
- (۲) خیز نقطه C نسبت به D
- (۳) انحراف مماسی D نسبت به C
- (۴) انحراف مماسی C نسبت به D

ماشین‌های کشاورزی:

- ۹۱- یک گاو آهن برگردان‌دار با عرض کار هر خیش ۳۰ cm، توان مالبندی ۴۰ kW با سرعت $7.2 \frac{\text{km}}{\text{h}}$ لازم است که در عمق ۱۰ سانتی‌متری خاک کار کند. اگر مقاومت ویژه خاک در برابر حرکت گاو آهن $22.22 \frac{\text{N}}{\text{cm}^2}$ باشد، این گاو آهن دارای چند خیش است؟
- (۱) ۳
(۲) ۴
(۳) ۵
(۴) ۶
- ۹۲- اگر بخواهیم لایه‌های زیرین فشرده و لایه سطحی نرم باقی بماند، کدام غلتک استفاده می‌شود؟
- (۱) شیاردار (۲) صاف (۳) کمبریج (۴) خاک‌نشان
- ۹۳- تراکتوری که حداکثر توان کششی قابل دسترس آن ۵۰ کیلو وات است یک گاو آهن ۵ خیش با عرض کار کل ۱٫۵ متر و عمق کاری ۳۰ سانتی‌متر را با چه سرعتی بر حسب کیلومتر بر ساعت، می‌تواند بکشد؟ (اگر مقاومت خاک ۱۰ نیوتن بر سانتی‌متر مربع باشد.)
- (۱) ۳٫۲
(۲) ۴
(۳) ۵
(۴) ۶
- ۹۴- برای کاهش نیروی عمودی رو به بالا در گاو آهن بشقابی، چه کار باید انجام داد؟
- (۱) زاویه تمایل را افزایش داد. (۲) زاویه بشقاب نسبت به راستای حرکت را افزایش داد.
(۳) سرعت پیشروی ماشین را کاهش داد. (۴) همه موارد
- ۹۵- به عنوان آخرین عملیات تهیه بستر بذر غلات، برای فشرده کردن خاک در عمق قرارگیری بذر از طریق بازآرایی کلوخه‌های خرد شده، نوع ابزار خاک ورز و زاویه حمله (Rake angle) آن را مشخص کنید؟
- (۱) کولیتواتور دندان فتری - ۴۵° (۲) هرس دندان فتری - ۳۵°
(۳) هرس دندان میخی - ۹۰° (۴) هرس دندان میخی - ۴۵°
- ۹۶- در یک گاو آهن برگردان‌دار سه خیش با عرض کار هر خیش ۱۶ اینچ فاصله مرکز مقاومت گاو آهن تا انتهای خیش وسط چند اینچ است؟
- (۱) ۴ (۲) ۱۲ (۳) ۱۶ (۴) ۲۸
- ۹۷- سرعت شخم در کدام ماشین بیشتر است؟
- (۱) زیر شکن (۲) گاو آهن بشقابی (۳) خاک ورز مرکب (۴) گاو آهن دوار
- ۹۸- برای کاهش فشردگی عمقی در کشت‌های می‌توان از به جای زیر شکن استفاده نمود.
- (۱) مرسوم - گاو آهن قلمی (۲) بدون خاک ورزی - گاو آهن قلمی
(۳) مرسوم - گاو آهن پارا (۴) بدون خاک ورزی - گاو آهن پارا

- ۹۹- در هنگام شخم با گاو آهن برگردان دار در زمینی که بقایای ایستاده گندم وجود دارد، نوع ضمامن مناسب کدام است؟
 (۱) قلاب علف‌های هرز
 (۲) پیش بردیسی لبه بریده
 (۳) پیش بردیسی لبه صاف
 (۴) پیش برکاردی
- ۱۰۰- اگر قطر چرخ محرک (زمین گرد) موزع یک ردیف کار و سرعت پیشروی دستگاه نصف و نسبت انتقال سرعت از چرخ به موزع دو برابر شود میزان کاشت در واحد سطح چه تغییری می‌کند؟
 (۱) نصف می‌شود (۲) دو برابر می‌شود (۳) چهار برابر می‌شود (۴) تغییر نمی‌کند
- ۱۰۱- در چرخ موزع (در چرخ تغذیه) در استفاده می‌شود وظیفه آن در لوله سقوط است.
 (۱) خطی کارها - یکنواخت کردن ریزش بذر در لوله سقوط
 (۲) کپه کارها - یکنواخت کردن ریزش بذر در لوله سقوط
 (۳) خطی کارها - تنظیم مقدار ریزش بذر
 (۴) کپه کارها - تنظیم مقدار ریزش بذر
- ۱۰۲- وظیفه پمپ سانتریفوژ در سمپاش‌های اتومایزر پشتی کدام است؟
 (۱) تحت فشار قرار دادن هوا در لوله مخروطی
 (۲) انتقال محلول و پودر کردن آن در لوله مخروطی
 (۳) گرفتن محلول از مخزن و حل کردن آن در لوله مخروطی
 (۴) گرفتن محلول از مخزن و ارسال آن به نقطه‌ای در داخل لوله مخروطی
- ۱۰۳- در سم‌پاش‌های پشت تراکتوری، مزیت یک افشانک با سوپاپ یک طرفه نسبت به افشانک معمولی بدون سوپاپ یک طرفه کدام است؟
 (۱) تنظیم فشار خروجی
 (۲) تنظیم دبی افشانک
 (۳) یکنواختی بیشتر پاشش مایع سم از افشانک‌ها
 (۴) ممانعت از چکه کردن محلول سم از افشانک در هنگام بیکاری سمپاش
- ۱۰۴- یک دستگاه غده کار سیب‌زمینی برای کاشت غده‌ها به فاصله ۲۵ سانتی‌متر روی ردیف کشت تنظیم شده است. چنانچه نسبت دور چرخ زمین به دور محور تسمه نقاله غده‌ها ۵ به ۴ و محیط چرخ زمین ۲۲۰ سانتی‌متر باشد تسمه نقاله دارای چند پیاله است؟
 (۱) ۷
 (۲) ۹
 (۳) ۱۱
 (۴) ۱۳
- ۱۰۵- در یک ردیف کار ۶ ردیفه بدون فاروئر (شیارزن) جانبی، با فاصله بین ردیف‌های ۵۰ cm و فاصله بین چرخ‌های جلوی تراکتور ۱۲۰ cm، طول علامت‌گذار (مارکر) سمت راست در حرکت رفت چند سانتی‌متر باید باشد، تا در زمان برگشت چرخ جلوی سمت راست تراکتور، داخل خط اثر علامت‌گذار بیفتد؟
 (۱) ۶۵
 (۲) ۱۷۵
 (۳) ۱۴۰
 (۴) ۱۱۵

- ۱۰۶- در روش کشت مستقیم (Direct-seeding)، اگر بقایا محصول قبلی بصورت سست روی سطح خاک پخش شده باشد، چه شیار بازکنی مورد نیاز است و آیا در این حالت نیازی به استفاده از کنارزن بقایا در جلو شیار بازکن است؟
 (۱) دیسکی - بلی (۲) دیسکی - خیر (۳) کفشکی - بلی (۴) کفشکی - خیر
- ۱۰۷- بهترین شیار بازکن برای نشا کارها کدام است؟
 (۱) یک بشقابی (۲) کفشکی (۳) دو بشقابی (۴) بیلچه‌ای
- ۱۰۸- در مورد سم‌پاش‌های پشتی موتوری و نتوری دار (قابلیت تبدیل شدن به شعله افکن را دارد). محلول سم تحت فشار و قابلیت پاشش به ارتفاعات بالا را
 (۱) نیست - ندارد (۲) است - دارد (۳) نیست - دارد (۴) است - ندارد
- ۱۰۹- از کدام روش برای کاهش فاصله بذور در ردیف کار، می‌توان استفاده نمود؟
 (۱) کاهش سرعت پیشروی (۲) قرار دادن چرخ دنده کوچکتر در محور چرخ محرک (۳) استفاده از صفحه بذر با سوراخ‌های بیشتر (۴) استفاده از صفحه بذر با سوراخ‌های کمتر
- ۱۱۰- در یک موزع استوانه‌ای شیار دار اگر تعداد شیارها و طول شیارها نصف و همزمان چگالی توده بذر دو برابر شود وزن بذر مصرفی و تراکم کاشت در واحد سطح چه تغییری می‌کند؟
 (۱) هر دو چهار برابر می‌شود. (۲) هر دو نصف می‌شود. (۳) هر دو یک چهارم می‌شود. (۴) وزن بذر مصرفی دو برابر و تراکم نصف می‌شود.
- ۱۱۱- اگر در یک ماشین کاشت با افزایش وزن دستگاه از چرخ مناسب‌تر میزان لیز خوردگی (skidding) چرخ‌های محرک موزع را کاهش دهیم ولی همزمان افزایش سر خوردگی چرخ‌های تراکتور (slip) را هم داشته باشیم میزان کاشت در واحد سطح چه تغییری می‌کند؟
 (۱) افزایش می‌یابد (۲) کاهش می‌یابد (۳) تقریباً تغییر نمی‌کند (۴) اطلاعات کافی نیست
- ۱۱۲- اگر در کودپاشی با یک کودپاش سانتریفوژ، در یک دقیقه ۱۵ کیلوگرم کود از مخزن خارج شده باشد. برای عرض موثر ۱۵ متر، سرعت پیشروی باید چند کیلومتر بر ساعت باشد تا میزان توزیع کود در هکتار ۱۰۰ کیلوگرم باشد؟
 (۱) ۳ (۲) ۶ (۳) ۹ (۴) ۱۲
- ۱۱۳- موزع نوع صفحه بذر در کدام تقسیم‌بندی قرار نمی‌گیرد؟
 (۱) تک دانه کاری (۲) دقیق کاری (۳) کپه کاری (۴) حجمی
- ۱۱۴- چرا سوزن‌های پنبه چین‌ها باید در حین کار مرطوب شوند؟
 (۱) تمیز شدن سوزن (۲) چسبندگی بیشتر با الیاف (۳) جدا شدن راحت‌تر پنبه از سوزن (۴) چسبندگی بیشتر با الیاف و جدا شدن راحت‌تر پنبه از سوزن
- ۱۱۵- نوسانات بیش از حد پرش شانه برش در دروگرها ناشی از کدام عامل است؟
 (۱) عدم تنظیم کفش‌های داخلی و خارجی شانه برش (۲) زیاد شل بودن فنر شناور (۳) زیاد سفت بودن فنر شناور (۴) شیب‌دار بودن زمین

- ۱۱۶- کدام مورد، در ارتباط با عوامل موثر بر تلفات واحد کاه پران کامل تر است؟
 (۱) نسبت بالای دانه به کاه - سرعت زیاد پیشروی
 (۲) نسبت بالای کاه به دانه - سرعت زیاد پیشروی
 (۳) سرعت زیاد کوبنده و فاصله زیاد کوبنده با ضد کوبنده - ارتفاع برداشت زیاد
 (۴) سرعت زیاد کوبنده و فاصله زیاد کوبنده با ضد کوبنده - سرعت پیشروی زیاد
- ۱۱۷- برای برداشت ذرت علوفه‌ای با یک دستگاه چپر، اگر مزرعه پر پشت باشد، سرعت پیشروی و سرعت غلتک‌های تغذیه را چگونه باید تغییر داد؟
 (۱) سرعت پیشروی را افزایش و سرعت غلتک‌های تغذیه را کاهش می‌دهیم.
 (۲) سرعت پیشروی را کاهش و سرعت غلتک‌های تغذیه را افزایش می‌دهیم.
 (۳) سرعت پیشروی و غلتک‌های تغذیه را افزایش می‌دهیم.
 (۴) سرعت پیشروی و غلتک‌ها را کاهش می‌دهیم.
- ۱۱۸- در ماشین بسته‌بند محبب علوفه، وقتی شدت تغذیه زیادتر شود، فشردگی بسته شروع شده و نیروی بیشینه تراکم آن است.
 (۱) دیرتر - کمتر (۲) دیرتر - بیشتر (۳) زودتر - بیشتر (۴) زودتر - کمتر
- ۱۱۹- در برداشت غلات با کمباین در صبح نسبت به بعدازظهر ممکن است لازم شود، دور کوبنده را یا فاصله بین کوبنده و ضد کوبنده را انتخاب نمود.
 (۱) بیشتر - بیشتر (۲) کمتر - بیشتر (۳) بیشتر - کمتر (۴) کمتر - کمتر
- ۱۲۰- در تنظیم فنر شناور یک دروگر شانه‌ای نحوه کار به گونه‌ای است که کشش کم فنر باعث کدام مورد می‌شود؟
 (۱) مقاومت کشش کاهش یابد.
 (۲) شانه برش روی سطح زمین پرش نماید.
 (۳) شانه برش با وزن بیشتری روی زمین حرکت کند.
 (۴) شانه برش هنگام درو پستی و بلندی‌های زمین را دنبال کند.

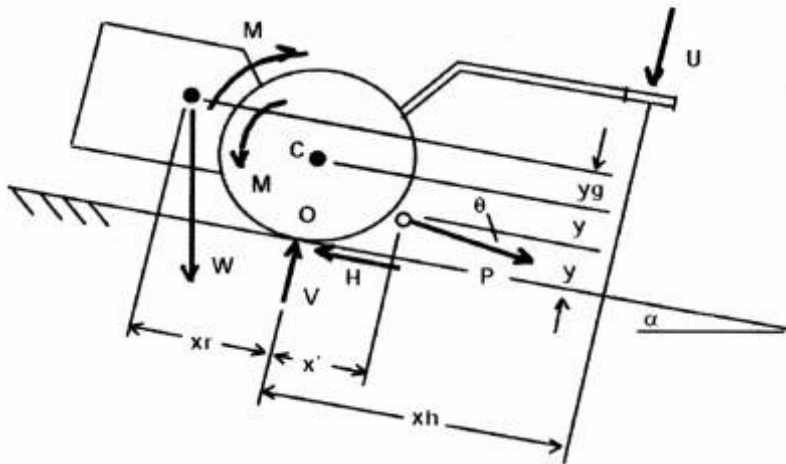
موتور و تراکتور:

- ۱۲۱- کدام گروه از آلاینده‌ها را نمی‌توان به‌طور همزمان در موتور کاهش داد؟
 (۱) اکسید ازت - دوده
 (۲) مونواکسید کربن - دوده
 (۳) اکسید ازت - مونواکسید کربن
 (۴) مونواکسید کربن - هیدروکربن‌های نسوخته (UHC)
- ۱۲۲- در موتورهای درون‌سوز، پدیده شعله انفجار ضربه‌ای (Detonation) و شعله معمولی (Deflagration) به ترتیب از راست به چپ در چه حالتی رخ می‌دهد؟
 (۱) سرعت انتشار شعله بیشتر از سرعت صوت و سرعت انتشار شعله کمتر از سرعت صوت باشد.
 (۲) سرعت انتشار شعله برابر سرعت صوت و سرعت انتشار شعله کمتر از سرعت صوت باشد.
 (۳) سرعت انتشار شعله بیشتر از سرعت صوت و سرعت انتشار شعله برابر سرعت صوت باشد.
 (۴) سرعت انتشار شعله کمتر از سرعت صوت و سرعت انتشار شعله بیشتر از سرعت صوت باشد.
- ۱۲۳- کاهش کدام آلاینده‌ی، هدف اصلی از بکارگیری سیستم بازگرداندن گازهای خروجی (EGR) است؟
 (۱) دوده
 (۲) مونوکسید کربن
 (۳) هیدروکربن‌های نسوخته
 (۴) اکسیدهای نیتروژن

- ۱۲۴- نقطه ریزش (Pour Point) روغن چیست و رابطه آن با دمای محیط به چه صورت می باشد؟
- ۱) کمینه دمایی که در آن روغن پس از سرد شدن تدریجی و تحت شرایط معین جاری می گردد و باید کمتر از حداقل درجه حرارت محیط باشد.
 - ۲) بیشینه دمایی که در آن روغن پس از گرم شدن تدریجی و تحت شرایط معین گرانیروی خود را حفظ کند و باید بیش تر از بیشینه دمای محیط باشد.
 - ۳) بیشینه دمایی که در آن روغن پس از سرد شدن تدریجی و تحت شرایط معین گرانیروی خود را حفظ کند و باید کمتر از کمینه دمای محیط باشد.
 - ۴) کمینه دمایی که در آن روغن پس از گرم شدن تدریجی و تحت شرایط معین جاری می گردد و باید بیش تر از کمینه دمای محیط باشد.
- ۱۲۵- شاخص (Total Base Number) TBN روغن موتور، نشان دهنده کدام مورد است؟
- ۱) توانایی روغن برای جذب قطرات آب در روغن
 - ۲) توانایی روغن برای جذب مواد ساینده در روغن
 - ۳) توانایی روغن برای خنثی کردن بازهای تشکیل شده در روغن
 - ۴) توانایی روغن برای خنثی کردن اسیدهای تشکیل شده در روغن
- ۱۲۶- یک موتور ۷۶ سه لیتری چهار زمانه با نسبت هوا به سوخت ۱۵ در سرعت ۳۶۰۰ دور در دقیقه کار می کند. چنانچه جرم هوا در یک سیلندر و در یک چرخه ۰/۰۵۵۱۵ کیلوگرم باشد، دبی جرمی جریان سوخت به موتور چند کیلوگرم بر ثانیه است؟
- ۱) ۰/۰۰۰۰۳
 - ۲) ۰/۰۰۰۰۶
 - ۳) ۰/۰۰۰۱۸
 - ۴) ۰/۰۰۰۲۶
- ۱۲۷- برای اینکه موتور دیزل در وضعیت بیش باری سریعاً خاموش نشود، گشتاور بیشینه موتور در چه دوری تولید می شود؟
- ۱) در دوری معادل نقطه بدون بار بالا
 - ۲) در دوری خیلی کمتر از دور مشخصه
 - ۳) در دوری بیشتر از دور مشخصه
 - ۴) در دوری معادل دور مشخصه
- ۱۲۸- گاوداری می خواهد برای برداشت ذرت علوفه ای توسط چاپر (علوفه خردکن) یک دستگاه تراکتور بخرد. در حین برداشت امکان بیش باری تراکتور وجود دارد. برای جلوگیری از خاموش شدن مکرر تراکتور در حین برداشت کدام یک از مشخصه های موتور تراکتور در انتخاب آن، مهمتر است؟
- ۱) ذخیره گشتاور
 - ۲) دور مشخصه موتور
 - ۳) توان موتور
 - ۴) گشتاور در دور مشخصه موتور
- ۱۲۹- در صورتی که برای سوختن کامل یک مخلوط هوا و بنزین از لحظه جرقه ۳ میلی ثانیه زمان مورد نیاز باشد، آوانس جرقه چند درجه باشد، تا در دور ۱۸۰۰ دور در دقیقه، فرایند احتراق ۱۰ درجه پس از نقطه مرگ بالا کامل شود؟
- ۱) ۱۵/۴
 - ۲) ۲۲/۴
 - ۳) ۲۸/۴
 - ۴) ۳۲/۴

- ۱۳۰- کدام گزینه در مورد سهم ضدیخ موجود در آب سیستم خنک‌کننده، درست است؟
 (۱) با افزایش نسبت ضدیخ به آب دمای یخ‌زدگی کاهش (منفی) و در نسبتی مجدداً شروع به افزایش می‌کند.
 (۲) تغییر نسبت ضدیخ به آب اثر مشابهی بر کاهش دمای یخ‌زدگی و افزایش نقطه جوش آب دارد.
 (۳) اضافه نمودن ضدیخ از یخ زدن آب فقط تا دمای 40°C - درجه سلسیوس جلوگیری می‌کند.
 (۴) با افزایش نسبت ضدیخ به آب دمای یخ‌زدگی نیز کاهش (منفی) می‌یابد.
- ۱۳۱- آهنگ بیشتر آزادسازی گرما در موتورهای دیزل، در کدام مرحله رخ می‌دهد؟
 (۱) دنباله احتراق
 (۲) تأخیر شیمیایی احتراق
 (۳) احتراق نفوذی
 (۴) احتراق پیش آمیخته
- ۱۳۲- بیشترین مقدار نیروهای اینرسی پیستون، در کدام وضعیت اتفاق می‌افتد؟
 (۱) نقطه مرگ پائین در شروع مرحله تراکم
 (۲) نقطه مرگ بالا در انتهای مرحله خروج دود
 (۳) نقطه مرگ بالا در ابتدای مکش
 (۴) نقطه مرگ پائین در ابتدای مرحله خروج دود
- ۱۳۳- عددستان سوخت، اهمیت خود را در کدام نوع محفظه احتراق از دست می‌دهد؟
 (۱) استوانه‌ای شکل
 (۲) فرعی
 (۳) اصلی
 (۴) امگا (Ω) شکل
- ۱۳۴- موتوری سوخت دیزل را با آهنگ 60 lit/h مصرف می‌کند. اگر چگالی سوخت 1 kg/lit و ارزش گرمایی آن 48000 kJ/kg باشد، توان معادل سوخت چند کیلووات است؟
 (۱) ۶۰۰
 (۲) ۷۰۰
 (۳) ۸۰۰
 (۴) ۹۰۰
- ۱۳۵- اگر قطر پیستون باشد، نسبت فشار متوسط مؤثر به گشتاور تولیدی در یک موتور با سیلندر مربعی چقدر است، کدام مورد است؟
 (۱) $\frac{8}{B^3}$
 (۲) $\frac{2}{B^3}$
 (۳) $\frac{1}{B^3}$
 (۴) $\frac{4}{B^3}$
- ۱۳۶- کدام عامل، باعث افزایش عدد چرخ می‌شود؟
 (۱) افزایش قطر خارجی چرخ - کاهش پهنا چرخ
 (۲) افزایش پهنا چرخ - کاهش قطر خارجی چرخ
 (۳) کاهش شاخص مخروطی خاک - افزایش قطر خارجی چرخ
 (۴) افزایش شاخص مخروطی خاک - کاهش بار دینامیکی روی چرخ
- ۱۳۷- نسبت مقطع برای تایلر $R28 / 30$ کدام است؟
 (۱) $\frac{38}{30}$
 (۲) $\frac{38}{360}$
 (۳) $\frac{5}{6}$
 (۴) $\frac{3}{36}$

۱۳۸- برای تراکتور دو چرخ نشان داده شده، تحت شرایط $u = 0$ و $\theta = 0$ و $\alpha = 0$ مقدار x_r برابر کدام مورد است؟



- (۱) حاصل ضرب ضریب کشش خالص، در ارتفاع مالبند
- (۲) حاصل ضرب ضریب کشش ناخالص، در ارتفاع مالبند
- (۳) حاصل ضرب ضریب مقاومت غلطشی، در ارتفاع مالبند
- (۴) حاصل ضرب ضریب مقاومت غلطشی، در ارتفاع دسته

۱۳۹- تراکتوری دارای جرم ۲۰۰۰ کیلوگرم و ۸ تایر (عرض هر تایر ۶۰ سانتی‌متر و قطر بیرونی ۲ متر) می‌باشد. کشش، ناخالص بیشینه این تراکتور بر روی یک خاک با چسبندگی ۱۰ کیلو پاسکال و زاویه اصطکاک داخلی ۴۵ درجه چندکیلو نیوتن است؟ (طول سطح تماس چرخ‌ها روی سطح خاک، $\frac{1}{4}$ قطر بیرونی آنها است و شتاب ثقل برابر ۱۰ فرض شود)

فرض شود)

- (۱) ۵۲
- (۲) ۴۴
- (۳) ۳۸
- (۴) ۳۲

۱۴۰- چرخ زمین‌گرد، ماشین‌های خطی کار کدام حالت یک چرخ را از دیدگاه زمین‌گیرایی دارد؟
 (۱) کشیده شده (۲) خودگردان (۳) محرک (۴) ترمز شده

۱۴۱- با افزایش عدد تحرک (Mobility number) ضریب مقاومت غلتشی چه تغییری می‌کند؟
 (۱) ابتدا افزایش و سپس کاهش می‌یابد (۲) ابتدا کاهش و سپس افزایش می‌یابد
 (۳) کاهش می‌یابد (۴) افزایش می‌یابد

۱۴۲- توزیع تنش قائم زیر یک تراکتور چرخ زنجیری به طول l و عرض کل b به صورت خطی معادل $\sigma = ax$ است. وزن کل تراکتور چقدر است؟

- | | |
|-----------------------|-----------------------|
| $\frac{abl}{2}$ (۲) | $\frac{abl^2}{2}$ (۱) |
| $\frac{abl^2}{3}$ (۴) | $\frac{abl^2}{4}$ (۳) |

- ۱۴۳- طبق تئوری بکر، انرژی لازم برای تغییر شکل قائم خاک برابر، کار نیروی کدام مورد است؟
 (۱) اصطکاک (۲) کشش ناخالص (۳) مقاومت غلشی (۴) کشش مالبندی
- ۱۴۴- کدام مورد، از ضرورت‌های یک تاینر کندرو است؟
 (۱) انعطاف‌پذیری بالا (۲) قابلیت کار در دمای بالا
 (۳) مقاوم به ضربه (۴) وزن مناسب
- ۱۴۵- گشتاور انتقالی توسط کلاچ چند صفحه‌ای 450 نیوتن متر و شعاع خارجی و داخلی لنت به ترتیب برابر 20 و 10 سانتی‌متر است. اگر ضریب اصطکاک لنت 0.25 و مقدار نیروی فشاری وارده به صفحه کلاچ 2000 نیوتن باشد، تعداد صفحات کلاچ چند عدد است؟
 (۱) ۱
 (۲) ۲
 (۳) ۳
 (۴) ۴
- ۱۴۶- برای استفاده از حداکثر توان موتور در زمان کار با محور توان‌دهی، دوری که در آن دور استاندارد محور توان‌دهی به‌دست می‌آید، چگونه باید باشد؟
 (۱) نزدیک به دور مشخصه موتور باشد.
 (۲) $\frac{2}{3}$ دور مشخصه موتور باشد.
 (۳) نزدیک دور در نقطه بدون بار بالا (High idle point)
 (۴) نزدیک دوری که در آن گشتاور بیشینه موتور به‌دست می‌آید.
- ۱۴۷- در تراکتورهای دو چرخ محرک، متوسط سرعت دو نیم اکسل عقب برابر کدام مورد است؟
 (۱) نسبت سرعت پینیون به کران ریل (۲) سرعت کران ویل
 (۳) سرعت پینیون (۴) نسبت سرعت کران ویل به پینیون
- ۱۴۸- تعداد دندانه‌های چرخنده‌های پینیون و کرانویل دیفرانسیلی به ترتیب 10 و 50 عدد می‌باشد. اگر گشتاور ورودی به دیفرانسیل 100 N.m و گشتاور وارده به یکی از اکسل‌ها 50 N.m باشد، گشتاور اکسل دیگر چند نیوتن متر است؟ بازده دیفرانسیل را 90% در نظر بگیرید؟
 (۱) 450
 (۲) 400
 (۳) 350
 (۴) 300
- ۱۴۹- مقدار سایش صفحه کلاچ:
 (۱) با حاصلضرب مجذور سرعت در فشار متناسب است (۲) با حاصلضرب سرعت در مجذور فشار متناسب است
 (۳) با حاصلضرب سرعت در فشار نسبت عکس دارد (۴) با حاصلضرب سرعت در فشار متناسب است
- ۱۵۰- فرض می‌کنیم فشار یکنواختی از طرف دیسک بر صفحه کلاچ وارد می‌شود. اگر هم شعاع داخلی و هم شعاع خارجی پهنای نسبت صفحه کلاچ دو برابر شود، گشتاور اعمالی چند برابر می‌شود؟
 (۱) ۱ (۲) ۲ (۳) ۴ (۴) ۸