

435

E



435E

نام:
نام خانوادگی:
محل امضا:



«اگر دانشگاه اصلاح شود مملکت اصلاح می‌شود.»
امام خمینی (ره)

عصر جمعه
۹۵/۰۲/۱۷

جمهوری اسلامی ایران
وزارت علوم، تحقیقات و فناوری
سازمان سنجش آموزش کشور

آزمون ورودی دوره‌های کارشناسی ارشد ناپیوسته داخل - سال ۱۳۹۵

مجموعه فیزیک - کد ۱۲۰۴

مدت پاسخگویی: ۲۷۰ دقیقه

تعداد سؤال: ۱۱۰

عنوان مواد امتحانی، تعداد و شماره سؤالات

ردیف	مواد امتحانی	تعداد سؤال	از شماره	تا شماره
۱	زبان عمومی و تخصصی (انگلیسی)	۳۰	۱	۳۰
۲	دروس تخصصی ۱ شامل: (فیزیک پایه (۱ و ۲ و ۳)، فیزیک جدید، ترمودینامیک و مکانیک آماری، ریاضی فیزیک (۱ و ۲))	۴۰	۳۱	۷۰
۳	دروس تخصصی ۲ شامل: (مکانیک کلاسیک (۱ و ۲)، الکترومغناطیسی (۱ و ۲)، مکانیک کوانتومی (۱ و ۲))	۴۰	۷۱	۱۱۰

این آزمون نمره منفی دارد.

استفاده از ماشین حساب مجاز نیست.

حق چاپ، تکثیر و انتشار سؤالات به هر روش (الکترونیکی و ...) پس از برگزاری آزمون، برای تمامی اشخاص حقیقی و حقوقی تنها با مجوز این سازمان مجاز می‌باشد و با متخلفین برابر مقررات رفتار می‌شود.

PART A: Vocabulary

Directions: Choose the word or phrase (1), (2), (3), or (4) that best completes the blank. Then mark the correct choice on your answer sheet.

- 1- With the pace of life in Indian metros getting faster by the day, many of the old Indian traditions have fallen into ----- and are no longer practiced.
1) indifference 2) equilibrium 3) abeyance 4) annoyance
- 2- We thought he was reliable till we realized that he had given us a ----- address.
1) dishonest 2) fake 3) skeptical 4) vulnerable
- 3- His expression was gloomy at every game; I don't think I saw him smile even when his team ----- a hundred points.
1) scored 2) connected 3) achieved 4) displayed
- 4- The approaching rain gave us a ----- excuse to escape the boring party.
1) harmless 2) monotonous 3) secret 4) plausible
- 5- The relationship between the earthworm and the garden is -----: the garden provides a home for the earthworm, while the earthworm provides manure for the garden and keeps it fertile.
1) impractical 2) symbiotic 3) latent 4) paradoxical
- 6- When it was discovered that he had been operating as a spy, he was badly ----- in the press as being a traitor.
1) incorporated 2) censured 3) concerned 4) constrained
- 7- Contemporary research into the origins of DeLong culture indicates that a hunter-gatherer society was established about 2,000 years earlier than was ----- thought.
1) similarly 2) sufficiently 3) previously 4) accurately
- 8- An attempt was made to ignore this brilliant and irregular book, but in -----; it was read all over Europe.
1) jeopardy 2) chaos 3) contempt 4) vain
- 9- He strictly warned him that if he did not take the medicine in time, the pain would not -----.
1) subside 2) degrade 3) avoid 4) collapse
- 10- To reduce -----, the company will no longer mail monthly paper statements to those with access to online statements.
1) fright 2) hesitation 3) conflict 4) waste

PART B: Cloze Passage

Directions: Read the following passage and decide which choice (1), (2), (3), or (4) best fits each space. Then mark the correct choice on your answer sheet.

Becoming a mother is a major transition, points out clinical psychologist Ann Dunnewold, (11) ----- in Dallas, Tex., provides support for mothers. New mothers give up autonomy, sleep and relationships (12) ----- to the relentless needs of a baby. On top of that, they are also expected to be in a constant state of bliss and fulfillment (13) ----- their new role. "There's a lot of pressure to be the perfect mother, (14) ----- they're not coping," Leahy-Warren says.

Making matters worse, research that demonstrates the importance of early childhood experiences in determining future success and happiness (15) ----- on moms to get it right.

- | | | | | |
|-----|---|-------------------|----------------------------------|------------------|
| 11- | 1) practices | 2) whose practice | 3) practicing | 4) she practices |
| 12- | 1) with tending | 2) tend | 3) to tend | 4) that tend |
| 13- | 1) of | 2) by | 3) in | 4) with |
| 14- | 1) and they are afraid to say | | 2) while afraid to say | |
| | 3) but they say they are afraid of what | | 4) then they say afraid they are | |
| 15- | 1) and additional pressure | | 2) add pressure | |
| | 3) puts additional pressure | | 4) and added pressure | |

PART C: Reading Comprehension:

Directions: Read the following three passages and answer the questions by choosing the best choice (1), (2), (3), or (4). Then mark the correct choice on your answer sheet.

PASSAGE 1:

The weirdness of the quantum world is well documented. The double-slit experiment, showing that light behaves as both a wave and a particle, is odd enough – particularly when it is shown that observing it makes it one or the other. But it gets stranger. According to an experiment proposed by the physicist John Wheeler in 1978 and carried out by researchers in 2007, observing a particle now can change what happened to another one – in the past. According to the double-slit experiment, if you observe which of two slits light passes through, you force it to behave like a particle. If you don't, and observe where it lands on a screen behind the slits, it behaves like a wave. But if you wait for it to pass through the slit, and then observe which way it came through, it will retroactively force it to have passed through one or the other. In other words, causality is working backwards: the present is affecting the past. Of course in the lab this only has an effect over indescribably tiny fractions of a second. But Wheeler suggested that light from distant stars that has bent around a gravitational well in between could be observed in the same way, which could mean observing something now and changing what happened thousands, or even millions, of years in the past.

- 16- Which of the following is the best title for the passage?
- 1) How Present Events Can Affect What Happened in the Past
 - 2) The Oddness of the Physics World at Present
 - 3) How to Document the Double-Slit Experiment
 - 4) The True Nature of Light: A Wave or a Particle?
- 17- Which of the following statements is true?
- 1) John Wheeler did his experiment in 2007 with a group of his colleagues.
 - 2) According to the double-slit experiment, light behaves only as a particle.
 - 3) Based on new experiments, causality is likely to work backwards as well.
 - 4) According to Wheeler's experiment, light behaves only as a wave.

- 18- What does the underlined "it" in line 8 refer to?
- | | |
|-----------|-------------|
| 1) Screen | 2) Particle |
| 3) Slit | 4) Light |
- 19- What does the word "indescribably" in line 12 mean?
- | | |
|-----------------|-----------------|
| 1) Indecisively | 2) Indefinably |
| 3) Indisputably | 4) Inadequately |
- 20- Which of the following can be concluded from the passage?
- 1) The experiment concerning the effect of present events on the past showed small scale results.
 - 2) It is possible to change events that happened thousands of years ago in a laboratory.
 - 3) Light from distant stars have similar qualities to the light used in the double-slit experiment.
 - 4) Following the double-slit experiment, if one determines which of two slits light passes through, it would amount to treating light as a wave.

PASSAGE 2:

Although conceived of as distinct phenomena until the 19th century, electricity and magnetism are now known to be components of the unified field of electromagnetism. Particles with electric charge interact by an electric force, while charged particles in motion produce and respond to magnetic forces as well. Many subatomic particles, including the electrically charged electron and proton and the electrically neutral neutron, behave like elementary magnets. On the other hand, in spite of systematic searches undertaken, no magnetic monopoles, which would be the magnetic analogues of electric charges, have ever been found.

The field concept plays a central role in the classical formulation of electromagnetism, as well as in many other areas of classical and contemporary physics. Einstein's gravitational field, for example, replaces Newton's concept of gravitational action at a distance. The field describing the electric force between a pair of charged particles works in the following manner: each particle creates an electric field in the space surrounding it, and so also at the position occupied by the other particle; each particle responds to the force exerted upon it by the electric field at its own position.

Classical electromagnetism is summarized by the laws of action of electric and magnetic fields upon electric charges and upon magnets and by four remarkable equations formulated in the latter part of the 19th century by the Scottish physicist James Clerk Maxwell. The latter equations describe the manner in which electric charges and currents produce electric and magnetic fields, as well as the manner in which changing magnetic fields produce electric fields, and vice versa. From these relations Maxwell inferred the existence of electromagnetic waves—associated electric and magnetic fields in space, detached from the charges that created them, traveling at the speed of light, and endowed with such "mechanical" properties as energy, momentum, and angular momentum. The light to which the human eye is sensitive is but one small segment of an electromagnetic spectrum that extends from long-wavelength radio waves to short-wavelength gamma rays and includes X-rays, microwaves, and infrared (or heat) radiation.

- 21- **What does first paragraph mainly discuss?**
- 1) Subatomic particles behave like elementary magnets.
 - 2) The fact that charged particles in motion produce and respond to magnetic forces.
 - 3) Electricity and magnetism are no longer viewed as two distinct phenomena.
 - 4) To date, the search for magnetic monopoles has not been fully successful.
- 22- **What is the main topic of the second paragraph?**
- 1) Classical electromagnetism
 - 2) The field concept
 - 3) Newton's concept of gravitational action
 - 4) Classical versus contemporary physics
- 23- **What does the word "it" in the second paragraph refer to?**
- 1) Position
 - 2) Space
 - 3) Electric field
 - 4) Particle
- 24- **Which of the following statements is true?**
- 1) The light to which the human eye is sensitive includes X-rays, microwaves, and infrared radiation.
 - 2) The laws of action of electric and magnetic fields were formulated by four distinguished physicists.
 - 3) Linear momentum is referred to as one of the "mechanical" properties of electromagnetic waves.
 - 4) Of the four equations, the first one describes the way in which electric charges and currents produce electric and magnetic fields.
- 25- **What does the word "detached" in the third paragraph refer to?**
- 1) Disarmed
 - 2) Disclosed
 - 3) Disconnected
 - 4) Disguised

PASSAGE 3:

Gravitation as a field of inquiry has in the past been placed within classical mechanics for historical reasons, because both fields were brought to a high state of perfection by Newton and also because of its universal character. Newton's gravitational law states that every material particle in the universe attracts every other one with a force that acts along the line joining them and whose strength is directly proportional to the product of their masses and inversely proportional to the square of their separation. Newton's detailed accounting for the orbits of the planets and the Moon, as well as for such subtle gravitational effects as the tides and the precession of the equinoxes (a slow cyclical change in direction of the Earth's axis of rotation) through this fundamental force was the first triumph of classical mechanics. No further principles are required to understand the principal aspects of rocketry and space flight, although, of course, a formidable technology is needed to carry them out.

The modern theory of gravitation was formulated by Albert Einstein and is called the general theory of relativity. From the long-known equality of the quantity "mass" in Newton's second law of motion and that in his gravitational law, Einstein was struck by the fact that acceleration can locally annul a gravitational force (as occurs in the so-called weightlessness of astronauts in an Earth-orbiting spacecraft) and was led thereby to the concept of curved space-time. Completed in 1915, the theory was valued for many years mainly for its mathematical beauty and for correctly predicting a small number of phenomena, such as the gravitational bending of light around a massive object. Only in

recent years, however, has it become a vital subject for both theoretical and experimental research. It should also be noted that relativistic mechanics refers to Einstein's special theory of relativity, which is not a theory of gravitation.

- 26- **What does the passage mainly discuss?**
 1) Classical mechanics
 2) Newton's second law of motion
 3) General theory of relativity
 4) History of gravitation
- 27- **What does the word "its" in the first paragraph refer to?**
 1) Gravitation
 2) Perfection
 3) High state
 4) Field of inquiry
- 28- **What does the word "triumph" in the first paragraph mean?**
 1) Discovery
 2) Achievement
 3) Recognition
 4) Objective
- 29- **Why was Einstein's theory of relativity appreciated for a long time?**
 1) For its capability for both theoretical and experimental research investigation
 2) For its formulation of the gravitational bending of light around a simple object
 3) For its accurate prediction of a number of phenomena
 4) For its extremely sophisticated mathematical calculation
- 30- **What do we understand from the last sentence of the second paragraph?**
 1) Einstein's special theory of relativity is a theory of gravitation.
 2) Relativistic mechanics is not a theory of gravitation.
 3) Relativistic mechanics is not the same as Einstein's special theory of relativity.
 4) Relativistic mechanics is Einstein's general theory of relativity.

دروس تخصصی شامل: (فیزیک پایه (۱ و ۲ و ۳)، فیزیک جدید، ترمودینامیک و مکانیک آماری، ریاضی فیزیک (۱ و ۲)):

۳۱- یک مکعب روی مسیر سهموی به معادله $y = \frac{x^2}{20}$ قرار داده می‌شود، که y بر حسب متر در امتداد قائم و x نیز بر

حسب متر در امتداد افقی است. اگر ضریب اصطکاک ایستایی مکعب با سطح مسیر $\mu_s = 0.8$ باشد، بیشترین ارتفاعی که می‌توان مکعب را قرار داد به طوری که روی سطح نلغزد، چند متر است؟

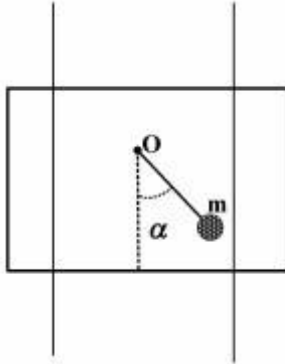
(۱) $3/2$

(۲) $7/8$

(۳) ۸

(۴) $12/5$

۳۲- آونگ ساده‌ای مطابق شکل زیر به یک جعبه چوبی متصل است. جعبه چوبی در امتداد سیم‌های قائم می‌تواند آزادانه سقوط کند. ابتدا جعبه ساکن است و آونگ از حال تعادل خود به اندازه زاویه α منحرف شده و رها می‌شود. در لحظه‌ای که آونگ به پایین‌ترین نقطه مسیر خود می‌رسد، جعبه چوبی رها و شروع به سقوط آزاد می‌کند. حرکت بعدی آونگ چگونه است؟



- (۱) در پایین‌ترین نقطه مسیر خود ساکن باقی می‌ماند.
- (۲) با سرعت زاویه‌ای یکنواخت حول نقطه آویز O دوران کامل می‌کند.
- (۳) حول نقطه O حرکت نوسانی با حداکثر زاویه انحراف α خواهد داشت.
- (۴) با شتاب زاویه‌ای ثابت حول نقطه آویز O دوران کامل خواهد داشت.

۳۳- موتور یک موشک در ارتفاع 200 km بالای سطح زمین تمام سوخت خود را مصرف می‌کند و از کار می‌افتد در حالیکه در امتداد قائم با تندی $8.5 \frac{\text{km}}{\text{s}}$ به سمت بالا در حال حرکت است. موشک تقریباً تا چه ارتفاعی از سطح

زمین بر حسب km بالا خواهد رفت؟ از اصطکاک جو چشم‌پوشی شود. $R = 6400 \text{ km}$ زمین و $g = 10 \frac{\text{m}}{\text{s}^2}$

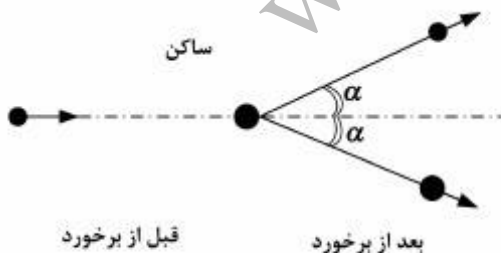
(۱) 4130

(۲) 9400

(۳) 10530

(۴) 15800

۳۴- مطابق شکل زیر، گلوله‌ای در حرکت مستقیم خود با تندی ثابت به طور زودررو، با گلوله ساکنی که دارای جرمی دو برابر جرم خودش است برخورد کاملاً کشسان (الاستیک) می‌کند. ملاحظه می‌شود که هر دو گلوله بعد از برخورد با زوایای مساوی α نسبت به امتداد مستقیم اولیه به حرکت ادامه می‌دهند. زاویه α کدام است؟



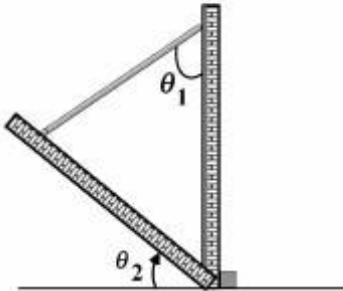
(۱) 30°

(۲) 60°

(۳) $\tan^{-1} \sqrt{\frac{3}{5}}$

(۴) $\cos^{-1} \sqrt{\frac{3}{8}}$

۳۵- یک سر میله یکنواختی روی دیوار قائم و سر دیگر آن روی دیواری که با سطح افق زاویه θ_1 می‌سازد، قرار دارد. اگر از اصطکاک دیوارها با میله چشم‌پوشی شود، کدام رابطه برقرار است؟



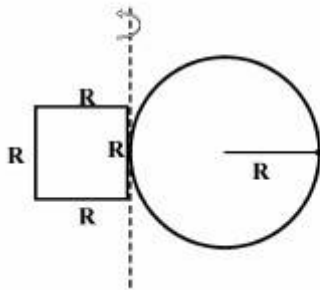
$$\tan \theta_1 = 2 \tan \theta_2 \quad (1)$$

$$\sin \theta_1 = 2 \cos \theta_2 \quad (2)$$

$$\tan \theta_1 = \sin(\theta_1 - \theta_2) \quad (3)$$

$$\cos \theta_1 = 2 \sin(\theta_1 - \theta_2) \quad (4)$$

۳۶- مطابق شکل زیر، یک ساختار صلب شامل یک حلقه به شعاع R و جرم m و یک مربع ساخته شده از چهار میله نازک هر یک به طول R و جرم m است. این ساختار صلب با فرکانس 10 Hz حول محور عمودی نشان داده شده در شکل، دوران می‌کند. اگر $R = 30 \text{ cm}$ ، $m = 2 \text{ kg}$ باشد، تکانه زاویه‌ای این جسم تقریباً چند $\frac{\text{kgm}^2}{\text{s}}$ است؟ حلقه در وسط ضلع مربع به آن چسبیده است.



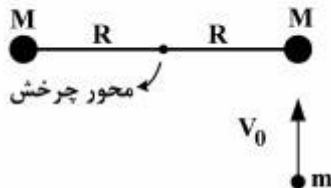
$$40,9 \quad (1)$$

$$50,2 \quad (2)$$

$$35,8 \quad (3)$$

$$72,5 \quad (4)$$

۳۷- دو گوی چوبی هر یک به جرم M به دو انتهای میله باریکی با جرم ناچیز و طول $2R$ متصل‌اند، و روی میز افقی بدون اصطکاک قرار دارند. این میله می‌تواند حول محور قائم بدون اصطکاک که از مرکز می‌گذرد بچرخد. در آغاز میله ساکن است. گلوله‌ای به جرم m مطابق شکل زیر با سرعت V_0 به سمت یکی از گوی‌ها شلیک می‌شود و با آن برخورد می‌کند و داخل آن می‌ماند. سرعت زاویه‌ای مجموعه بعد از برخورد کدام است؟



$$\frac{2mV_0}{R(m+M)} \quad (1)$$

$$\frac{2mV_0}{R(m+2M)} \quad (2)$$

$$\frac{mV_0}{R(m+M)} \quad (3)$$

$$\frac{mV_0}{R(2M+m)} \quad (4)$$

۳۸- ذره‌ای به جرم m با دامنه A حول مبدأ محور x نوسان می‌کند و انرژی پتانسیل آن به صورت $U = \alpha x^2$ است. در چه فاصله‌ای از مبدأ، انرژی پتانسیل ذره یک سوم انرژی جنبشی آن است؟ (α ضریبی ثابت است.)

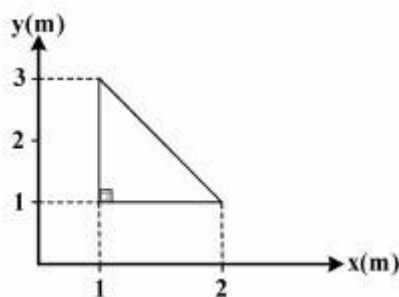
$$(1) \frac{A}{\sqrt{2}}$$

$$(2) \frac{A}{\sqrt{3}}$$

$$(3) \frac{A}{2}$$

$$(4) \frac{A}{3}$$

۳۹- بار الکتریکی بر روی مثلثی به شکل زیر با چگالی سطحی $\sigma = 6xy$ توزیع شده است، که x و y بر حسب متر و σ بر حسب $\frac{C}{m^2}$ است. بار کل روی سطح این مثلث چند کولن است؟



$$(1) 8$$

$$(2) 13$$

$$(3) 17$$

$$(4) 36$$

۴۰- پوسته نازک عایقی به شکل نیم کره‌ای به شعاع a دارای بار الکتریکی آزاد q است، که روی سطح آن به طور یکنواخت توزیع شده است. اندازه میدان الکتریکی در مرکز نیم کره کدام است؟

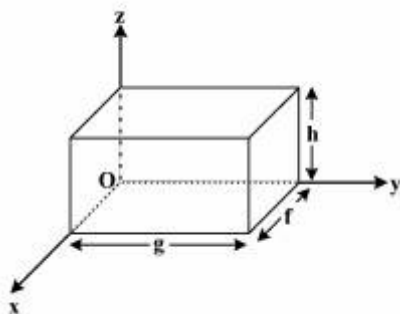
$$(1) \frac{q}{4\pi\epsilon_0 a^2}$$

$$(2) \frac{q}{2\pi\epsilon_0 a^2}$$

$$(3) \frac{q}{\pi\epsilon_0 a^2}$$

$$(4) \frac{2q}{\pi\epsilon_0 a^2}$$

۴۱- مقدار بار الکتریکی موجود درون مکعب مستطیل (شکل زیر)، اگر میدان الکتریکی غیریکنواخت $\vec{E} = (a + bx^2)\hat{i}$ در فضا موجود باشد، کدام است؟ a و b ضرایب ثابتی هستند.



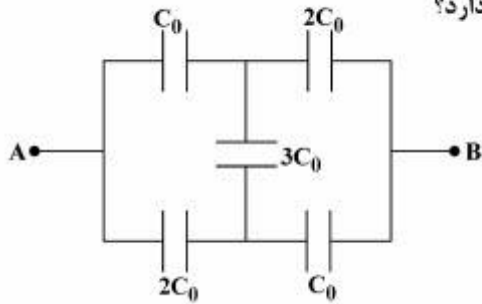
$$(1) \text{ صفر}$$

$$(2) \frac{b}{\epsilon_0} f^2 g h$$

$$(3) \epsilon_0 f g^2 h$$

$$(4) \epsilon_0 b f^2 g h$$

۴۲- در مدار شکل زیر، خازن معادل بین دو نقطه A و B چه ظرفیتی دارد؟



(۱) $2C_0$

(۲) $\frac{1}{3}C_0$

(۳) $\frac{11}{9}C_0$

(۴) $\frac{13}{9}C_0$

۴۳- در ناحیه‌ای از فضا میدان مغناطیسی به شکل $\vec{B} = 10^{-3} \frac{y\hat{i} - x\hat{j}}{x^2 + y^2}$ وجود دارد. معادله خطوط میدان کدام است؟

C ضریبی ثابت است.

(۱) $y = Cx$

(۲) $xy = C$

(۳) $x^2 + y^2 = C$

(۴) $x^2 - y^2 = C$

۴۴- حلقه جریانی به شعاع r عمود بر خطوط میدان مغناطیسی قرار دارد. اگر شعاع حلقه با زمان به شکل $r = r_0(1 + \alpha t)$ و اندازه میدان مغناطیسی به شکل $B = B_0(1 + kt)$ تغییر کند، اندازه نیروی محرکه القایی در لحظه $t = \frac{1}{\alpha}$ کدام است؟ α, k, r_0 و B_0 ضرایب ثابتی هستند.

(۱) $4\pi r_0^2 B_0 (\alpha + k)$

(۲) $4\pi r_0^2 B_0 (\alpha + 2k)$

(۳) $2\pi r_0^2 B_0 (\alpha + 2k)$

(۴) $2\pi r_0^2 B_0 (\alpha + k)$

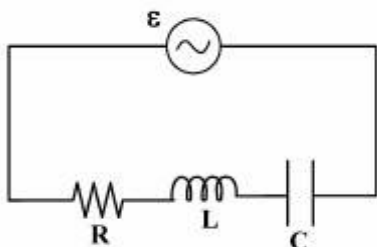
۴۵- طبق شکل در یک مدار با مولد جریان متناوب $i_0 \sin \omega t$ یک مقاومت R، یک القاگر L و یک خازن C به طور سری قرار گرفته‌اند، و تابع پتانسیل مولد به صورت $\varepsilon = i_0 Z \sin(\omega t + \phi)$ در آمده است، که زاویه فاز و $Z = \sqrt{R^2 + (L\omega - \frac{1}{C\omega})^2}$ مقاومت ظاهری (impedance) کل مدار می‌باشد. میانگین زمانی توان کل تولیدی مولد در یک دوره تناوب، کدام است؟

(۱) صفر

(۲) $\frac{1}{2} i_0^2 R \cos \phi$

(۳) $\frac{1}{2} i_0^2 R$

(۴) $\frac{1}{2} i_0^2 Z$



۴۶- قطعه چوبی دراز و یکنوخت با سطح مقطع مربعی شکل به ضلع a با چگالی $\frac{g}{cm^3}$ روی سطح آب شناور است. دو حالت شناوری ممکن است، حالت (الف) زاویه سطوح جانبی با سطح آزاد آب 45° است و حالت (ب) زاویه دو سطح جانبی با سطح آزاد آب 90° درجه و دو سطح دیگر موازی سطح آب است. این قطعه چوب در کدام حالت تعادل پایدارتری دارد، و در این حالت ارتفاع مرکز مربع از سطح آب کدام است؟

$$(1) \text{ حالت الف، } a \left(\frac{1}{\sqrt{2}} - \frac{1}{\sqrt{5}} \right)$$

$$(2) \text{ حالت الف، } a \left(\frac{1}{\sqrt{2}} - \frac{1}{\sqrt{2/5}} \right)$$

$$(3) \text{ حالت ب، } a \left(\frac{1}{\sqrt{2/5}} - \frac{1}{2} \right)$$

$$(4) \text{ حالت ب، } \frac{a}{\sqrt{5}}$$

۴۷- یک چشمه صوتی، امواج سینوسی با بسامد زاویه‌ای $3000 \frac{rad}{s}$ و دامنه 20 nm را به درون یک لوله هوا به شعاع

2 cm ارسال می‌کند. اگر سرعت صوت در هوا $340 \frac{m}{s}$ و چگالی هوا $\frac{kg}{m^3}$ $1/2$ باشد، متوسط آهنگ انتقال انرژی

به انتهای دیگر لوله تقریباً چند نانو وات است؟

$$(1) 3 \times 10^4$$

$$(2) 1/5 \times 10^4$$

$$(3) 1/84$$

$$(4) 0/92$$

۴۸- در سؤال ۴۷ دو موج سینوسی با دامنه و بسامد زاویه‌ای یکسان داده شده و اختلاف فاز ثابت صفر به طور همزمان وارد یک سر لوله شوند، متوسط آهنگ انتقال انرژی به انتهای دیگر لوله تقریباً چند نانووات است؟

$$(1) 6/3 \times 10^4$$

$$(2) 3/2 \times 10^4$$

$$(3) 3/70$$

$$(4) 1/84$$

۴۹- یک ذره آزاد نسبیتی به جرم سکون m ، انرژی کل E ، بردار تکانه خطی \vec{P} و سرعت $\vec{V} = \vec{\beta}c$ در نظر بگیرید که

$$|\vec{\beta}| < 1 \text{ و } c \text{ تندی نور در خلاء است. کدام عبارت نادرست است؟ } (\hat{P} = \frac{\vec{P}}{|\vec{P}|})$$

$$(1) \frac{d(Pc)}{dE} = \frac{E}{\sqrt{E^2 - m^2 c^4}}$$

$$(2) \vec{\beta} = \frac{d(\vec{P}c)}{dE}$$

$$(3) \vec{\beta} = \frac{\vec{P}c}{E}$$

$$(4) \vec{\beta} = \sqrt{1 - \left(\frac{mc^2}{E}\right)^2} \hat{P}$$

۵۰- در پراکندگی یک فوتون از یک الکترون آزاد ساکن به جرم m ، بیشینه انرژی جنبشی الکترون پراکنده شده ممکن

است به $\frac{2}{3} mc^2$ برسد. انرژی فوتون اولیه چقدر بوده است؟

$$(1) \frac{2}{4} mc^2$$

$$(2) \frac{3}{2} mc^2$$

$$(3) mc^2$$

$$(4) 2mc^2$$

۵۱- به یک ذره که ابتدا در چارچوب S ساکن است، یک افزایش سرعت به اندازه $\frac{c}{3}$ نسبت به S داده می‌شود. سپس

نسبت به چارچوب سکون جدیدش، یک افزایش سرعت دیگر به اندازه $\frac{c}{3}$ داده می‌شود. این فرایند تا زمانی که

سرعتش نسبت به چارچوب اولیه S به $\frac{13}{14}c$ برسد، ادامه می‌یابد. این افزایش سرعت، نسبت به حالت سکون اولیه

در چارچوب S ، در طی چند مرتبه اتفاق افتاده است؟

$$(1) 2$$

$$(2) 3$$

$$(3) 4$$

$$(4) 5$$

۵۲- دو واقعه را در نظر بگیرید، اولی در مختصات فضا - زمانی $(x=0, y=0, z=0, t=0)$ اتفاق می افتد و دومی در $(x=x_0, y=0, z=0, t=t_0)$ که $\frac{x_0}{t_0} < c$ در دستگاه مرجعی، که فاصله مکانی بین این دو واقعه حداقل مقدار خود را خواهد داشت، فاصله زمانی بین این دو واقعه، چقدر خواهد بود؟

$$t_0 \sqrt{1 - \left(\frac{x_0}{ct_0}\right)^2} \quad (1)$$

$$t_0 / \sqrt{1 - \left(\frac{x_0}{ct_0}\right)^2} \quad (2)$$

$$t_0 \left(1 - \left(\frac{x_0}{ct_0}\right)^2\right) \quad (3)$$

$$t_0 / \left(1 - \left(\frac{x_0}{ct_0}\right)^2\right) \quad (4)$$

۵۳- ذره‌ای با تندی $v = 0.6c$ یا ذره‌ای مشابه خود و در حال سکون، برخورد رودرروی کشسان می کند. پس از برخورد، اندازه سرعت هر یک از دو ذره در دستگاه مختصات مرکز جرم آن دو، کدام است؟

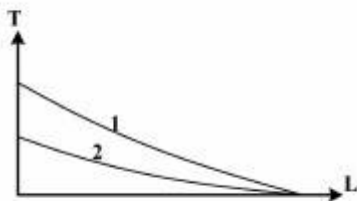
$$\frac{2c}{3}, \frac{c}{3} \quad (1)$$

$$\frac{2c}{4}, \frac{c}{4} \quad (2)$$

$$\frac{c}{3}, \frac{c}{3} \quad (3)$$

$$\frac{c}{4}, \frac{c}{4} \quad (4)$$

۵۴- نمودار ضریب عبور T الکترونی به جرم m و طول موج دوپرویی λ از یک سد پتانسیل به ارتفاع U و ضخامت L را در نظر بگیرید. اگر نمودار ضریب عبور بر حسب ضخامت برای یک الکترون با دو مقدار (U_1, λ_1) و (U_2, λ_2) مطابق شکل زیر باشد، کدام رابطه درست است؟



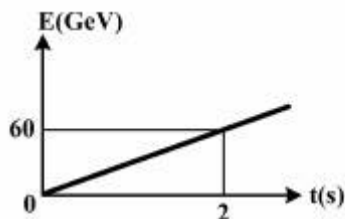
$$\frac{2mU_2\lambda_2^2}{h^2} > \frac{2mU_1\lambda_1^2}{h^2} \quad (1)$$

$$\frac{2mU_2\lambda_2^2}{h^2} < \frac{2mU_1\lambda_1^2}{h^2} \quad (2)$$

$$U_2 - \frac{h^2}{2m\lambda_2^2} > U_1 - \frac{h^2}{2m\lambda_1^2} \quad (3)$$

$$U_2 - \frac{h^2}{2m\lambda_2^2} < U_1 - \frac{h^2}{2m\lambda_1^2} \quad (4)$$

۵۵- مساحت سطح جاذب نور یک آشکارساز نوری 1cm^2 است و ۵۰ درصد نور با طول موج 620nm را جذب می‌کند. آشکارساز در فاصله 12m از یک چشمه نور همسانگرد با طول موج 620nm قرار دارد. نمودار انرژی تابش شده به وسیله چشمه، E ، بر حسب زمان، t ، در شکل زیر داده شده است. آهنگ جذب فوتون به وسیله آشکارساز بر حسب فوتون بر ثانیه، تقریباً کدام است؟



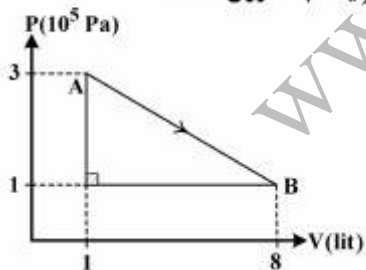
- (۱) ۴۰۰
(۲) ۴۰۰۰
(۳) ۴۰۰۰۰
(۴) ۴۰۰۰۰۰

۵۶- ظرفیت گرمایی در فشار ثابت C_p یک گاز حقیقی که معادله حالت تعادل آن به صورت $(P + \frac{\alpha}{V^2})V = Nk_B T$ و انرژی درونی آن به صورت $U(V, T) = -\frac{\alpha}{V} + Nk_B T$ است، کدام است؟ (فرض کنید $\alpha < PV^2$)

(فرض کنید $\alpha < PV^2$)

- (۱) Nk_B
(۲) $2Nk_B$
(۳) $\frac{Nk_B}{1 - \frac{\alpha}{PV^2}}$
(۴) $\frac{2Nk_B}{1 - \frac{\alpha}{PV^2}}$

۵۷- دو مول گاز ایده‌آل تک اتمی مطابق شکل زیر تحولی از نقطه A به حجم ۱ لیتر و فشار $3 \times 10^5\text{ Pa}$ به نقطه B به حجم ۸ لیتر و فشار $1 \times 10^5\text{ Pa}$ انجام می‌دهد. گرمای مبادله شده در این فرایند چند ژول است؟



- (۱) ۷۵۰
(۲) ۱۴۲۵
(۳) ۲۱۵۰
(۴) ۲۸۵۰

۵۸- ۴۰ مول گاز He (هلیوم) با ۶۰ مول گاز H_2 (هیدروژن) مخلوط شده است. ظرفیت گرمایی ویژه مولی در حجم ثابت (C_V) این مخلوط کدام است؟ گازها را کامل در نظر بگیرید.

- (۱) $1/5 R$
(۲) $2/1 R$
(۳) $2/5 R$
(۴) $4 R$

۵۹- بُعد (دیمناسیون) آنتروپی چیست؟ $M = [جرم]$ ، $L = [طول]$ ، $T = [زمان]$ و $\theta = [دما]$

$$(1) ML^2 T^{-1} \theta^{-2}$$

$$(2) ML^2 T^{-2}$$

$$(3) MLT^{-2} \theta^{-1}$$

$$(4) ML^2 T^{-2} \theta^{-1}$$

۶۰- در یک محفظه به حجم V ، N مولکول گاز ایده آل قرار دارد. طی یک فرایند بی درروی برگشت پذیر، حجم محفظه به $2V$ افزایش می یابد. تعداد میکروحالت های سیستم در حالت جدید نسبت به حالت قبل، چه تغییری می کند؟

$$(1) 2^N \text{ برابر می شود.}$$

$$(2) 2N \text{ برابر می شود.}$$

$$(3) V^N \text{ برابر می شود.}$$

$$(4) \text{ بدون تغییر می ماند.}$$

۶۱- آنتالپی یک دستگاه ترمودینامیکی به صورت $H(S, P)$ با تغییرات جزئی $dH = TdS + VdP$ مفروض است. برای چنین دستگاهی کدام رابطه برقرار است؟ T دما، V حجم و P فشار دستگاه است.

$$(1) \left(\frac{\partial T}{\partial P}\right)_V = \left(\frac{\partial V}{\partial S}\right)_T$$

$$(2) \left(\frac{\partial T}{\partial P}\right)_S = \left(\frac{\partial V}{\partial S}\right)_P$$

$$(3) V = \left(\frac{\partial H}{\partial P}\right)_T$$

$$(4) T = \left(\frac{\partial H}{\partial S}\right)_V$$

۶۲- یک گاز با سرعت های فوق نسبیتی، متشکل از تعداد ثابتی از ذرات درون ظرف دو بعدی مربعی به طول L در نظر

بگیرید. اگر فشار گاز P و انرژی کل آن U باشد، مقدار عددی $\frac{PL^2}{U}$ کدام است؟ ذرات با هم برهم کنش ندارند.

$$(1) 1$$

$$(2) \frac{1}{2}$$

$$(3) \frac{1}{3}$$

$$(4) \frac{1}{4}$$

۶۳- کول (تاو) بردار $\vec{A}(x, y, z) = e^{xyz}(\hat{i} + 2\hat{j} - \hat{k})$ در نقطه $(0, 1, 2)$ کدام است؟

$$(1) \hat{i} + 2\hat{j} - 4\hat{k}$$

$$(2) 2\hat{i} - \hat{j} + 2\hat{k}$$

$$(3) 2\hat{j} + 4\hat{k}$$

$$(4) \hat{j} - 2\hat{k}$$

۶۴- اگر A ماتریسی 2×2 باشد که بسط آن بر حسب ماتریس واحد 2×2 و ماتریس های پائولی به شکل $A = a_1 + \vec{\sigma} \cdot \hat{n}$ است که در آن a ضریبی ثابت، \hat{n} بردار یکه و σ_i ها ماتریس های پائولی هستند، مقدار $\text{Tr} A^2$ کدام است؟

(۱) $2(a^2 + 1)$

(۲) $2(a^2 - 1)$

(۳) $2a^2$

(۴) $a^2 + 2$

۶۵- حاصل انتگرال $\oint_S (\Delta x \hat{i} - y \hat{j} + 2z \hat{k}) \cdot \hat{n} da$ روی سطح بسته کره S با معادله $x^2 + y^2 + z^2 = 25$ ، کدام است؟

\hat{n} بردار یکه عمود بر سطح کره است.

(۱) 3π

(۲) 6π

(۳) 1000π

(۴) 2000π

۶۶- مقدار فاز (مقدار آرگومان) عدد مختلط $z = \frac{i}{-2 - 2i}$ ، کدام است؟ (k عدد صحیح است)

(۱) $\frac{\pi}{4}$

(۲) $\frac{\Delta\pi}{2}$

(۳) $\frac{3\pi}{2} + 2k\pi$

(۴) $\frac{\Delta\pi}{4} + 2k\pi$

۶۷- حاصل انتگرال مختلط $I = \oint_{(C)} \frac{\cosh z}{z^2 + \pi^2} dz$ که معادله مسیر بسته C به شکل $|z - i| = 3$ در صفحه مختلط

$z = x + iy$ و جهت آن پادساعتگرد می باشد، کدام است؟

(۱) -2

(۲) -1

(۳) صفر

(۴) 1

۶۸- بسط لوران تابع $\frac{1}{z(z-1)}$ ، کدام است؟

$$\begin{aligned} & \sum_{n=-\infty}^{+\infty} z^n \quad (۱) \\ & - \sum_{n=0}^{+\infty} z^n \quad (۲) \\ & \sum_{n=-1}^{+\infty} z^n \quad (۳) \\ & - \sum_{n=-1}^{+\infty} z^n \quad (۴) \end{aligned}$$

۶۹- در تابع تحلیلی $f(x, y) = u(x, y) + iv(x, y)$ ، اگر تابع حقیقی $u(x, y) = e^{-x}(x \sin y - y \cos y)$ باشد، تابع حقیقی $v(x, y)$ کدام است؟

$$\begin{aligned} & e^{-x}(y \sin y + x \cos y) \quad (۱) \\ & e^{-x}(y \sin y - x \cos y) \quad (۲) \\ & e^{-x}(x \sin y + y \cos y) \quad (۳) \\ & e^{-x}(x \sin y - y \cos y) \quad (۴) \end{aligned}$$

۷۰- بسط فوریه تابع $f(x) = 2x + 1$ در بازه $(-\pi, \pi)$ ، کدام است؟

$$\begin{aligned} & 1 + 2 \sum_{n=1}^{\infty} \frac{(-1)^n}{n} \sin nx \quad (۱) \\ & 1 + 4 \sum_{n=1}^{\infty} \frac{(-1)^{n+1}}{n} \sin nx \quad (۲) \\ & 1 + \sum_{n=1}^{\infty} \frac{(-1)^{n+1}}{n\pi} \sin nx \quad (۳) \\ & 4 \sum_{n=1}^{\infty} \frac{(-1)^{n+1}}{n^2} \sin nx \quad (۴) \end{aligned}$$

دروس تخصصی ۲ شامل: (مکانیک کلاسیک (۱ و ۲)، الکترومغناطیسی (۱ و ۲)، مکانیک کوانتومی (۱ و ۲):

۷۱- ذره‌ای به جرم m از حالت سکون تحت تأثیر نیروی $\vec{F} = F_0(\cos \omega t \hat{i} + \sin \omega t \hat{j})$ حرکت می‌کند. بیشینه کاری که این نیرو می‌تواند روی ذره انجام دهد، چقدر است؟

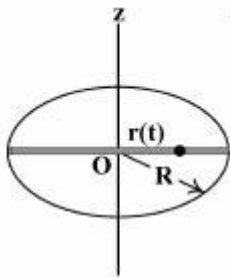
(۱) $\frac{1}{2} \frac{F_0^2}{m\omega^2}$

(۲) $\frac{F_0^2}{m\omega^2}$

(۳) $\frac{3}{2} \frac{F_0^2}{m\omega^2}$

(۴) $\frac{2F_0^2}{m\omega^2}$

۷۲- مهره‌ای می‌تواند روی میله‌ای که از مرکز حلقه‌ای به شعاع R می‌گذرد و دو سرش به محیط حلقه وصل است حرکت کند (طبق شکل). سرعت زاویه‌ای حلقه حول محور Z در لحظه‌ای t برابر αt و مکان مهره از مرکز حلقه به فاصله $r(t) = R\alpha t^2$ است. اندازه شتاب کل ذره در لحظه‌ی t چقدر است؟ α ضریبی ثابت است.



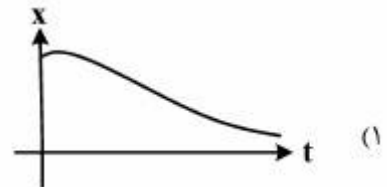
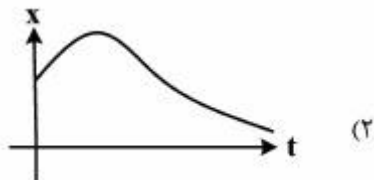
(۱) $R\alpha\sqrt{(at^2)^2 + 2(1)(at^2)^2 + 4}$

(۲) $R\alpha\sqrt{(at^2)^2 + 29(at^2)^2 + 4}$

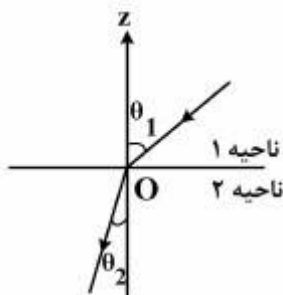
(۳) $R\alpha\sqrt{4(at^2)^2 + 2(1)(at^2)^2 + 4}$

(۴) $R\alpha\sqrt{4(at^2)^2 + 5(at^2)^2 + 4}$

۷۳- نمودار مکان - زمان یک نوسانگر تند میرای یک بعدی با سرعت اولیه $v_0 < 0$ و $|v_0| \gg 1$ کدام است؟



۷۴- انرژی پتانسیل ذره‌ای در دو ناحیه‌ی $z > 0$ و $z < 0$ از فضا به ترتیب U_1 و U_2 است (طبق شکل). اگر مسیر ذره در این دو ناحیه، خطوط مستقیم با زاویه‌های θ_1 و θ_2 نسبت به راستای قائم و K_1 انرژی جنبشی ذره در ناحیه‌ی ۱



باشد، نسبت $\frac{\sin \theta_1}{\sin \theta_2}$ کدام است؟

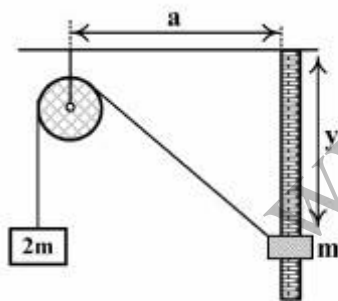
$$1 - \frac{U_2 - U_1}{K_1} \quad (1)$$

$$\sqrt{1 - \frac{U_2 - U_1}{K_1}} \quad (2)$$

$$\sqrt{1 + \frac{U_2 - U_1}{K_1}} \quad (3)$$

$$1 + \frac{U_2 - U_1}{K_1} \quad (4)$$

۷۵- مطابق شکل دو جرم m و $2m$ به دو سر طنابی که جرم آن قابل چشم‌پوشی است، وصل شده‌اند. جرم m همواره روی میله‌ی بدون اصطکاک قائمی حرکت می‌کند. از اصطکاک نخ و قرقره صرف‌نظر کنید. در حالت تعادل، y چقدر است؟



است؟

$$\frac{a}{2} \quad (1)$$

$$\frac{a}{3} \quad (2)$$

$$\frac{a\sqrt{2}}{2} \quad (3)$$

$$\frac{a\sqrt{3}}{3} \quad (4)$$

۷۶- حلقه‌ای با توزیع جرم یکنواخت در فضا ثابت نگه داشته شده است، و ذره‌ی کوچکی به جرم m در برهم کنش گرانشی با حلقه، مجاز است در فضای اطراف حلقه حرکت کند. کدام گزینه درست است؟

(۱) مرکز حلقه برای جابجایی‌های موازی با سطح حلقه، نقطه تعادل پایدار می‌باشد.

(۲) مرکز حلقه برای جابجایی‌های عمود بر سطح حلقه، نقطه تعادل ناپایدار می‌باشد.

(۳) مرکز حلقه برای جابجایی‌های موازی با سطح حلقه، نقطه تعادل ناپایدار می‌باشد.

(۴) اطراف حلقه هیچ نقطه تعادل گرانشی نداریم.

۷۷- قانون نیروی $F(r) = \frac{-k}{r^3} \exp\left(\frac{-r}{a}\right)$ را در نظر می‌گیریم ($a > 0$). شرط پایداری مدارهای دایره‌ای در این میدان نیرو

کدام است؟

$$r < \frac{a}{3} \quad (1)$$

$$r < a \quad (2)$$

(۳) به علامت k بستگی دارد.

(۴) امکان‌پذیر نیست.

۷۸- دو ذره به جرم‌های m_1 و m_2 با اندازه سرعت‌های اولیه v_1 و v_2 که به سوی یکدیگر حرکت می‌کنند، به صورت کشسان و رو در رو با هم برخورد می‌کنند. اگر انرژی جنبشی اولیه دو ذره در دستگاه آزمایشگاه یکسان باشد و

پس از برخورد، ذره m_1 در دستگاه آزمایشگاه ساکن باقی بماند، کدام گزینه درست است؟

$$\frac{m_1}{m_2} \approx 5/8 \quad (1)$$

$$\frac{m_1}{m_2} \approx 0/17 \quad (2)$$

$$\left(\frac{v_2}{v_1}\right)^2 = 0/41 \quad (3)$$

$$\left(\frac{v_2}{v_1}\right)^2 \approx 2/4 \quad (4)$$

۷۹- در نقطه‌ای روی خط استوای زمین و از بالای یک برج ۱۸۰ متری سنگی را بدون سرعت اولیه رها می‌کنیم. با

صرف‌نظر از مقاومت هوا، انحراف سنگ از راستای شاقول هنگام برخورد به زمین تقریباً چقدر است؟ ($g = 10 \frac{m}{s^2}$)

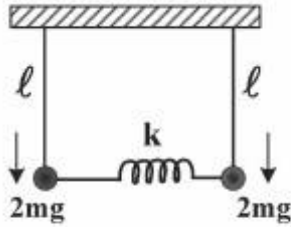
$$5 \text{ cm} \quad (1)$$

$$5 \text{ mm} \quad (2)$$

$$25 \text{ cm} \quad (3)$$

$$0/5 \text{ mm} \quad (4)$$

۸۰- طبق شکل دو آونگ ساده با طول‌های یکسان هر کدام ℓ و وزن‌های یکسان هر کدام $2mg$ که با یک فنر بسیار کم وزن با ثابت فنری k به یکدیگر متصل شده‌اند می‌توانند، در اطراف حالت تعادل پایدار خود با زوایای بسیار کوچک نوسان کنند، بسامدهای زاویه‌ای مدهای طبیعی نوسان این دستگاه کدامند؟



$$\sqrt{\frac{g}{\ell} + \frac{k}{4m}} \text{ و } \sqrt{\frac{g}{\ell}} \quad (1)$$

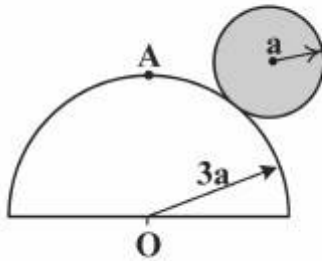
$$\sqrt{\frac{g}{\ell} + \frac{k}{m}} \text{ و } \sqrt{\frac{g}{\ell}} \quad (2)$$

$$\sqrt{\frac{g}{\ell} + \frac{k}{4m}} \text{ و } \sqrt{\frac{g}{\ell}} \quad (3)$$

$$\sqrt{\frac{g}{\ell} + \frac{k}{4m}} \text{ و } \sqrt{\frac{g}{\ell} + \frac{k}{4m}} \quad (4)$$

۸۱- یک کره توپر به جرم m و شعاع a از نقطه‌ی A بالای نیمکره‌ی ساکنی به شعاع $3a$ از حالت سکون شروع به حرکت می‌کند و همواره روی سطح نیمکره با غلتش کامل پایین می‌آید (طبق شکل). انرژی جنبشی کل کره توپر درست

قبل از جدا شدن از سطح نیمکره ساکن چند برابر mga است؟ $(I_{cm} = \frac{2}{5}ma^2)$



$$\frac{8}{17} \quad (1)$$

$$\frac{24}{17} \quad (2)$$

$$\frac{28}{17} \quad (3)$$

$$\frac{32}{17} \quad (4)$$

۸۲- هرگاه دستگاه مختصات $oxyz$ به اندازه زاویه α حول محور oz بچرخد، تانسور لختی در $I_{oxyz} = \begin{pmatrix} a & b & 0 \\ b & a & 0 \\ 0 & 0 & c \end{pmatrix}$

دستگاه جدید $ox'y'z'$ قطری می‌شود. زاویه α کدام است و شکل قطری آن در دستگاه جدید $ox'y'z'$ چیست؟

$$\begin{pmatrix} a+b & 0 & 0 \\ 0 & a-b & 0 \\ 0 & 0 & c \end{pmatrix} \text{ و } \frac{\pi}{4} \quad (1)$$

$$\begin{pmatrix} a+b & 0 & 0 \\ 0 & a-b & 0 \\ 0 & 0 & c \end{pmatrix} \text{ و } \frac{\pi}{2} \quad (2)$$

$$\begin{pmatrix} a & 0 & 0 \\ 0 & b & 0 \\ 0 & 0 & c \end{pmatrix} \text{ و } \frac{\pi}{4} \quad (3)$$

$$\begin{pmatrix} a & 0 & 0 \\ 0 & b & 0 \\ 0 & 0 & c \end{pmatrix} \text{ و } \frac{\pi}{2} \quad (4)$$

۸۳- لاگرانژی ذره‌ای به جرم m در یک میدان نیروی مرکزی به صورت $L = \frac{1}{2}m(\dot{r}^2 + r^2\dot{\theta}^2) - \frac{ar^2}{rc^2} - \frac{a}{r}$ است. که a و c

پارامترهای ثابتی هستند. هامیلتونی این ذره بر حسب تکانه‌های تعمیم یافته P_r و P_θ متناظر با r و θ کدام است؟

$$\left(\frac{mrc^2}{mrc^2 - \gamma a} \right) \frac{rc^2}{\gamma a} P_r^2 + \frac{P_\theta^2}{\gamma mr^2} + \frac{a}{r} \quad (1)$$

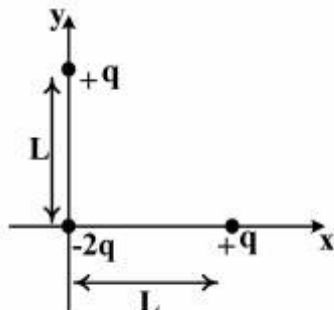
$$\left(1 - \frac{\gamma a}{mrc^2} \right) \frac{P_r^2}{\gamma m} + \frac{P_\theta^2}{\gamma mr^2} + \frac{a}{r} \quad (2)$$

$$\left(1 - \frac{\gamma a}{mrc^2} \right) \frac{rc^2}{\gamma a} P_r^2 + \frac{P_\theta^2}{\gamma mr^2} + \frac{a}{r} \quad (3)$$

$$\left(\frac{mrc^2}{mrc^2 - \gamma a} \right) \frac{P_r^2}{\gamma m} + \frac{P_\theta^2}{\gamma mr^2} + \frac{a}{r} \quad (4)$$

۸۴- گشتاور چهار قطبی مربوط به توزیع بار در شکل زیر کدام است؟ عنصر ماتریس گشتاور چهار قطبی عبارتست از:

$$Q_{ij} = \int_V (\sum x'_i x'_j - \delta_{ij} r'^2) \rho(\vec{r}') d^3 x'$$



$$qL^2 \begin{pmatrix} 2 & 0 & 0 \\ 0 & 2 & 0 \\ 0 & 0 & -1 \end{pmatrix} \quad (1)$$

$$qL^2 \begin{pmatrix} 1 & 0 & 0 \\ 0 & 1 & 0 \\ 0 & 0 & -2 \end{pmatrix} \quad (2)$$

$$qL^2 \begin{pmatrix} -2 & 0 & 0 \\ 0 & -2 & 0 \\ 0 & 0 & -1 \end{pmatrix} \quad (3)$$

$$qL^2 \begin{pmatrix} -1 & 0 & 0 \\ 0 & -1 & 0 \\ 0 & 0 & -2 \end{pmatrix} \quad (4)$$

۸۵- دو صفحه تخت باردار موازی با ابعاد بی‌نهایت در نقاط x_1 و x_2 قرار دارند، که به ترتیب دارای پتانسیل‌های ϕ_1 و ϕ_2 هستند.

فضای بین دو صفحه با توزیع یکنواخت بار با چگالی حجمی ρ پر شده است. میدان الکتریکی E_1 در نقطه x_1 با کدام یک از عبارتهای زیر داده می‌شود؟

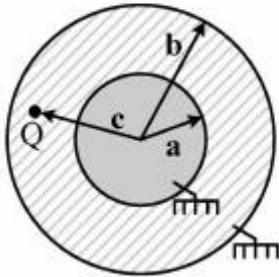
$$\frac{\phi_1 - \phi_2}{x_2 - x_1} - \frac{\rho}{2\epsilon_0} (x_2 - x_1) \quad (1)$$

$$\frac{\phi_1 - \phi_2}{x_2 - x_1} - \frac{\rho}{4\epsilon_0} (x_2 - x_1) \quad (2)$$

$$\frac{\phi_1 - \phi_2}{x_2 - x_1} + \frac{\rho}{2\epsilon_0} (x_2 - x_1) \quad (3)$$

$$\frac{\phi_1 - \phi_2}{x_2 - x_1} + \frac{\rho}{4\epsilon_0} (x_2 - x_1) \quad (4)$$

۸۶- بار نقطه‌ای Q به فاصله c از مرکز دو پوسته کروی رسانا به شعاع‌های a و b قرار دارد. مقدار بار القایی روی پوسته کروی داخلی وقتی پوسته‌ها به زمین وصل شده باشند، کدام است؟



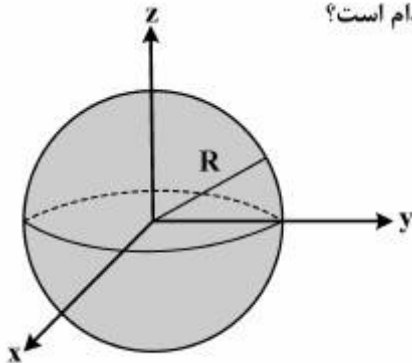
(۱) ۰

(۲) $-\frac{aQ}{b-a} \frac{b}{c}$

(۳) $-\frac{aQ}{b-a} \left(\frac{b}{c} - 1\right)$

(۴) $-\frac{aQ}{b-a} \left(\frac{b}{c} + 1\right)$

۸۷- کره‌ای رسانا به شعاع R و رسانندگی σ مفروض است. اگر پتانسیل در نقطه‌ی از سطح کره که زاویه بردار مکان آن با محور z برابر θ است، $\Delta \cos \theta$ ولت باشد، چگالی جریان داخل کره کدام است؟



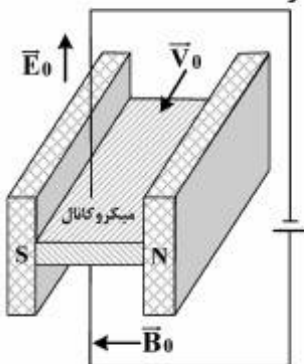
(۱) $-\frac{\Delta}{R} \sigma \cos \theta \hat{k}$

(۲) $-\frac{\Delta \sigma}{R} \hat{k}$

(۳) $\frac{\Delta \sigma}{R} \hat{\phi}$

(۴) $\frac{\Delta}{R} \sigma \cos \theta \hat{\phi}$

۸۸- شکل زیر طرح واره یک میکروپمپ را نشان می‌دهد، که به وسیله یک سیال رسانای در حال حرکت درون یک میکرو کانال و تحت تأثیر دو میدان عمود بر هم ثابت الکتریکی و مغناطیسی کار می‌کند. این سیال می‌تواند جیوه در دمای اتاق باشد. میدان‌های ثابت الکتریکی \vec{E}_0 و مغناطیسی \vec{B}_0 بر یکدیگر عمود و هر دو بر امتداد میکروکانال و در نتیجه سرعت ثابت حرکت سیال رسانا \vec{V}_0 عمود هستند. ضریب رسانش ویژه الکتریکی سیال رسانا در دمای اتاق را σ فرض می‌کنیم. توان مکشی پمپ مورد نظر در واحد حجم سیال رسانا چقدر است؟



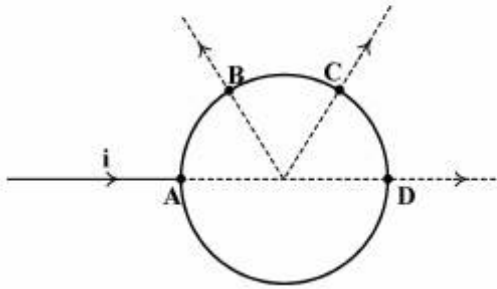
(۱) $\sigma (\vec{V}_0 \times \vec{B}_0) \cdot \vec{E}_0$

(۲) $\sigma (\vec{E}_0 \times \vec{B}_0) \cdot \vec{V}_0$

(۳) $\gamma \sigma (\vec{V}_0 \times \vec{B}_0) \cdot \vec{E}_0$

(۴) $\gamma \sigma (\vec{E}_0 \times \vec{B}_0) \cdot \vec{V}_0$

۸۹- در شکل زیر جریان i در نقطه A وارد حلقه‌ای به شعاع R می‌شود. جریان از کدام نقطه حلقه بیرون بیاید تا میدان



مغناطیسی در مرکز آن صفر شود؟

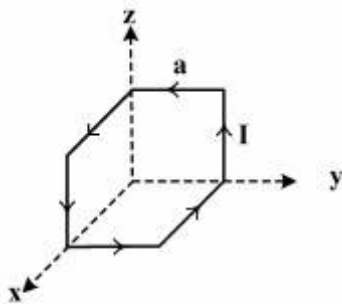
(۱) نقطه B

(۲) نقطه C

(۳) نقطه D

(۴) از هر نقطه‌ای که بیرون بیاید فرقی ندارد

۹۰- مدار بسته حامل جریان I به شکل سه وجه یک مکعب به ضلع a را در نظر بگیرید. بردار گشتاور دو قطبی مغناطیسی



آن چه مقدار و در چه جهت است؟

(۱) مقدار Ia^2 و در جهت $\frac{-\hat{e}_x - \hat{e}_y - \hat{e}_z}{\sqrt{3}}$

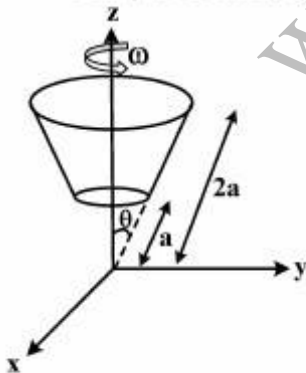
(۲) مقدار Ia^2 و در جهت $\frac{\hat{e}_x + \hat{e}_y + \hat{e}_z}{\sqrt{3}}$

(۳) مقدار $\sqrt{3}Ia^2$ و در جهت $\frac{\hat{e}_x + \hat{e}_y + \hat{e}_z}{\sqrt{3}}$

(۴) دارای گشتاور دو قطبی مغناطیسی نمی‌باشد زیرا اجزاء مختلف اثر یکدیگر را خنثی می‌کنند.

۹۱- بار Q به طور یکنواخت بر روی سطح پوسته مخروط ناقص نارسانای $(a \leq r \leq 2a, \theta = 30^\circ)$ توزیع شده است.

اگر این مخروط با سرعت زاویه‌ای ω حول محور z بچرخد، میدان مغناطیسی در مبدأ مختصات کدام است؟



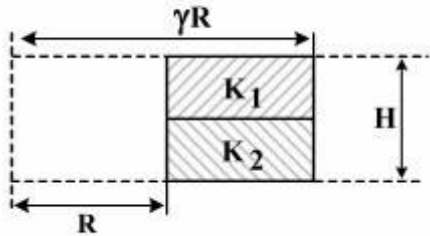
(۱) $\frac{\mu_0 Q \omega}{6\pi a} \hat{k}$

(۲) $\frac{\mu_0 Q \omega}{24\pi a} \hat{k}$

(۳) $\frac{\mu_0 Q \omega}{8\pi a} \hat{k}$

(۴) $\frac{\mu_0 Q \omega}{12\pi a} \hat{k}$

۹۲- در شکل زیر برش قائم سطح مقطع یک سیم پیچ مغناطیسی چنبره‌ای شکل با ارتفاع H و شعاع‌های درونی R و بیرونی γR ($\gamma > 1$) که نیمه بالائی آن را هسته فولادی با ضریب پذیرفتاری مغناطیسی $\mu_1 = K_1 \mu_0$ و نیمه پایینی آن را هسته فولادی با ضریب پذیرفتاری مغناطیسی $\mu_2 = K_2 \mu_0$ پر کرده، نشان داده شده است. تعداد کل حلقه‌های سیم پیچی شده به دور این چنبره N می‌باشد. ضریب خود القائی L این سیم پیچ مغناطیسی کدام است؟



$$(1) \left(\frac{\mu_0}{2\pi}\right)(K_1 + K_2)NH \ln \gamma$$

$$(2) \left(\frac{\mu_0}{4\pi}\right)\left(\frac{1}{K_1} + \frac{1}{K_2}\right)NH \ln \gamma$$

$$(3) \left(\frac{\mu_0}{4\pi}\right)(K_1 + K_2)N^2 H \ln \gamma$$

$$(4) \left(\frac{\mu_0}{2\pi}\right)(K_1 + K_2)N^2 H \ln \gamma$$

۹۳- در یک سیم بسیار طویل که در امتداد محور z قرار دارد، در لحظه $t = 0$ به طور ناگهانی جریان I ایجاد می‌شود، و

در $t > 0$ مقدار جریان ثابت باقی می‌ماند. در مختصات استوانه‌ای (ρ, ϕ, z) ، مقدار پتانسیل برداری A برای $t < \frac{\rho}{c}$

کدام است؟

(۱) صفر

$$(2) \frac{\mu_0 I}{2\pi} \cosh^{-1}\left(\frac{ct}{\rho}\right)$$

$$(3) \frac{\mu_0 I}{4\pi} \cosh^{-1}\left(\frac{ct}{\rho}\right)$$

$$(4) \frac{\mu_0 I}{2\pi} \sinh^{-1}\left(\frac{ct}{\rho}\right)$$

۹۴- صفحات یک خازن تخت مربع‌هایی به ضلع l هستند، و فاصله بین آن‌ها d است. خازن مطابق شکل به اختلاف

پتانسیل V وصل شده و میدان مغناطیسی یکنواخت B در جهت محور x به تمام فضای بین دو صفحه خازن اعمال

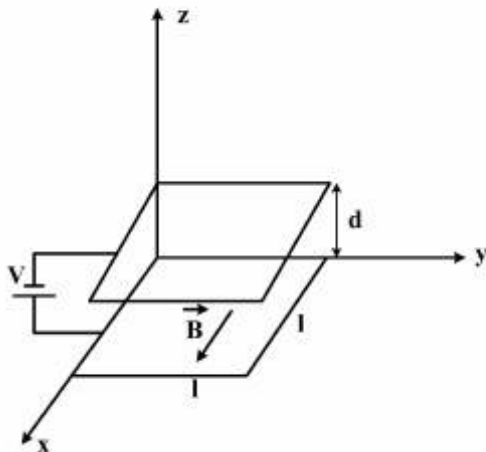
شده است. تکانه خطی ذخیره شده در خازن چقدر است؟

$$(1) \epsilon_0 V B l d \hat{k}$$

$$(2) \epsilon_0 V B l^2 \hat{k}$$

$$(3) \epsilon_0 V B l d \hat{j}$$

$$(4) \epsilon_0 V B l^2 \hat{j}$$



۹۵- ساده ترین شکل موج الکترومغناطیسی کروی در خلاء دارای میدان الکتریکی زیر است:

$$\vec{E}(r, \theta, \varphi) = E_0 \left[\cos[k_0(r-ct)] - \frac{\sin[k_0(r-ct)]}{k_0 r} \right] \left(\frac{\sin \theta}{r} \right) \hat{e}_\varphi$$

مقدار میانگین انرژی الکتریکی در پوسته‌ای کروی به مرکز مبدأ مختصات و ضخامت بین r و $r + dr$ ، چقدر است؟

$$\frac{4\pi}{3} \epsilon_0 E_0^2 \left(1 + \frac{1}{k_0^2 r^2} \right) dr \quad (1)$$

$$\frac{2\pi}{3} \epsilon_0 E_0^2 \left(1 + \frac{1}{k_0^2 r^2} \right) dr \quad (2)$$

$$\frac{4\pi}{3} \epsilon_0 E_0^2 \left(1 - \frac{1}{k_0 r} + \frac{1}{k_0^2 r^2} \right) dr \quad (3)$$

$$\frac{2\pi}{3} \epsilon_0 E_0^2 \left(1 - \frac{1}{k_0 r} + \frac{1}{k_0^2 r^2} \right) dr \quad (4)$$

۹۶- ذره‌ای با بار q و جرم m تحت تأثیر نیروی یک فنر به صورت نوسانی ساده با بسامد زاویه‌ای ω در حال نوسان

است. متوسط زمانی توان تابشی ذره، کدام است؟

$$\frac{q^2 \omega^4}{12\pi \epsilon_0 c^3} \quad (1)$$

$$\frac{q^2 \omega^4}{6\pi \epsilon_0 c^3} \quad (2)$$

$$\frac{q^2 \omega^2}{12\pi \epsilon_0 c^3} \quad (3)$$

$$\frac{q^2 \omega^2}{6\pi \epsilon_0 c^3} \quad (4)$$

۹۷- در یک پلاسمای الکترون آزاد به جرم m ، امواج طولی پلازما با بسامد زاویه‌ای $\omega = \sqrt{\frac{Ne^2}{\epsilon_0 m}}$ تولید می‌شوند. اگر

یون‌های آزاد به جرم M و بار e نیز در محیط در حرکت باشند، بسامد زاویه‌ای امواج طولی تولید شده، کدام است؟

$$\sqrt{\frac{Ne^2}{\epsilon_0 M}} \quad (۱)$$

$$\sqrt{\frac{Ne^2(m+M)}{\epsilon_0 mM}} \quad (۲)$$

$$\sqrt{\frac{Ne^2}{\epsilon_0(m+M)}} \quad (۳)$$

$$\sqrt{\frac{Ne^2}{\epsilon_0(M+m)}} \quad (۴)$$

۹۸- در مدل بور برای اتم هیدروژن، وقتی الکترون در مدار دایره‌ای مانای m حول هسته می‌چرخد، میدان مغناطیسی

که الکترون در محل هسته ایجاد می‌کند، کدام گزینه است؟ $(\alpha = \frac{e^2}{4\pi\epsilon_0 \hbar c})$

$$\frac{m^2 c^2 \alpha^4}{\hbar e} \frac{1}{n^2} \quad (۱)$$

$$\frac{m^2 c^2 \alpha^4}{e \hbar} \frac{1}{n^2} \quad (۲)$$

$$\frac{m^2 c^2 \alpha^4}{\hbar e} \frac{1}{n^4} \quad (۳)$$

$$\frac{m^2 c^2 \alpha^4}{e \hbar} \frac{1}{n^4} \quad (۴)$$

۹۹- ذره‌ای در یک چاه پتانسیل نامتناهی یک بعدی به عرض L در حرکت است. در حالت‌های مانا بیشترین احتمال

یافتن ذره در بازه مکانی $0 \leq x \leq \frac{L}{4}$ کدام است؟

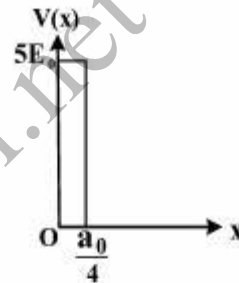
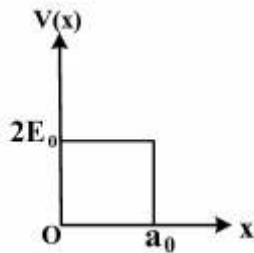
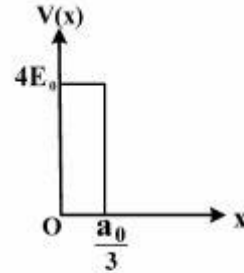
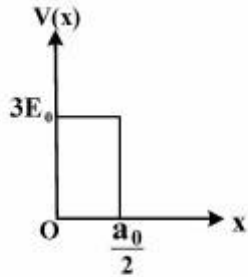
$$\frac{1}{4} \quad (۱)$$

$$\frac{1}{4} + \frac{1}{12\pi} \quad (۲)$$

$$\frac{1}{4} + \frac{1}{3\pi} \quad (۳)$$

$$\frac{1}{4} + \frac{1}{6\pi} \quad (۴)$$

۱۰۰- احتمال عبور الکترون آزادی به جرم m و انرژی E_0 که به صورت عمود بر سد پتانسیل‌های زیر می‌تابد، از کدام سد بیشتر است؟



۱۰۱- عدم قطعیت عملگر مکان به صورت $\Delta x_\alpha = \sqrt{\langle \alpha | x^2 | \alpha \rangle - \langle \alpha | x | \alpha \rangle^2}$ تعریف می‌شود. اگر حالت‌های

$|\alpha\rangle$ و $|\beta\rangle$ به صورت $|\beta\rangle = e^{-\frac{i}{\hbar}Pa} |\alpha\rangle$ به هم مربوط شوند که p عملگر تکانه و a ضریبی ثابت است، کدام

عبارت درست است؟

$\Delta x_\beta = \Delta x_\alpha$ (۱)

$\Delta x_\beta = \Delta x_\alpha - a$ (۲)

$\Delta x_\beta = \Delta x_\alpha + a$ (۳)

$\Delta x_\beta = \sqrt{(\Delta x_\alpha)^2 + a^2}$ (۴)

۱۰۲- یک نوسانگر هم آهنک یک بعدی با جرم m_0 و بار الکتریکی q_0 ، که در غیاب هر نوع میدان الکترومغناطیسی خارجی در راستای محور x نوسان می‌کند دارای ترازهای انرژی $\hbar\omega_0(n + \frac{1}{2})$ با $\omega_0 > 0$ و $n = 0, 1, 2, \dots$ می‌باشد. اگر میدان الکتریکی خارجی ثابت $E_0 \hat{i}$ روشن شده و روی این ذره اثر کند، ترازهای انرژی ذره چگونه تغییر می‌کنند؟

(۱) همه به اندازه $\frac{1}{2} \sqrt{\frac{\hbar}{m_0 \omega_0}} q_0 E_0$ کاهش می‌یابند.

(۲) همه به اندازه $\frac{1}{2} \sqrt{\frac{\hbar}{m_0 \omega_0}} q_0 E_0$ افزایش می‌یابند.

(۳) همه به اندازه $\frac{q_0^2 E_0^2}{2m_0 \omega_0^2}$ کاهش می‌یابند.

(۴) همه به اندازه $\frac{q_0^2 E_0^2}{2m_0 \omega_0^2}$ افزایش می‌یابند.

۱۰۳- ترازهای انرژی یک نوسانگر هماهنگ همسانگرد سه بعدی $V(r) = \frac{1}{2} m \omega^2 r^2$ به صورت $E_{n, \ell} = \hbar \omega (2n + \ell + \frac{3}{2})$

است. اگر انرژی این نوسانگر $\frac{23\hbar\omega}{2}$ باشد، چند حالت تبهگن متناظر با این انرژی وجود دارد؟

(۱) ۵۵

(۲) ۶۶

(۳) ۱۳۲

(۴) ۱۱۰

۱۰۴- ذره‌ای با هامیلتونی $H = \hbar\omega_0 \begin{pmatrix} 2 & \sqrt{6} \\ \sqrt{6} & 1 \end{pmatrix}$ در لحظه $t = 0$ در حالت $|\psi(0)\rangle = \begin{pmatrix} 1 \\ 0 \end{pmatrix}$ به سر می‌برد. احتمال یافتن

این ذره در لحظات بعدی ($t > 0$) در همین حالت $|\psi(0)\rangle = \begin{pmatrix} 1 \\ 0 \end{pmatrix}$ کدام است؟

(۱) $\frac{12 - 13 \cos(\Delta\omega_0 t)}{25}$

(۲) $\frac{13 - 12 \cos(\Delta\omega_0 t)}{25}$

(۳) $\frac{12 + 13 \cos(\Delta\omega_0 t)}{25}$

(۴) $\frac{13 + 12 \cos(\Delta\omega_0 t)}{25}$

۱۰۵- نمایش ماتریسی هامیلتونی و مؤلفه سوم تکانه زاویه‌ای یک ذره دو حالتی در پایه $\begin{pmatrix} 1 \\ 0 \end{pmatrix}$ و $\begin{pmatrix} 0 \\ 1 \end{pmatrix}$ به صورت زیر بوده و می‌دانیم که این ذره در حالت پایه انرژی خود به سر می‌برد. محتمل‌ترین مقدار مؤلفه سوم تکانه زاویه‌ای این ذره کدام است؟

$$H = \hbar \omega_0 \begin{pmatrix} 1 & 2i \\ -2i & -2 \end{pmatrix}; L_z = \hbar \begin{pmatrix} 3 & \sqrt{2} \\ \sqrt{2} & 2 \end{pmatrix}, \quad (\omega_0 > 0)$$

$$\hbar \quad (1)$$

$$\frac{11}{5} \hbar \quad (2)$$

$$\frac{14}{5} \hbar \quad (3)$$

$$4\hbar \quad (4)$$

۱۰۶- جمع سه حالت اسپین $|\frac{1}{2}, m_1\rangle$ ، $|\frac{1}{2}, m_2\rangle$ و $|\frac{1}{2}, m_3\rangle$ می‌تواند اسپین کل $|\frac{3}{2}, m\rangle$ یا اسپین کل $|\frac{1}{2}, m\rangle$ بدهد. حالت ترکیبی اسپین $|\frac{1}{2}, m\rangle = \frac{1}{\sqrt{6}} (|-\downarrow\rangle|\uparrow\rangle|\uparrow\rangle + |\uparrow\rangle|\downarrow\rangle|\uparrow\rangle + |\uparrow\rangle|\uparrow\rangle|\downarrow\rangle)$ برابر کدام حالت است؟ برای خلاصه نویسی نمادهای $|\frac{1}{2}, m = +\frac{1}{2}\rangle \equiv |\uparrow\rangle$ و $|\frac{1}{2}, m = -\frac{1}{2}\rangle \equiv |\downarrow\rangle$ را به کار برده‌ایم.

$$|\frac{1}{2}, +\frac{1}{2}\rangle \quad (1)$$

$$|\frac{3}{2}, +\frac{1}{2}\rangle \quad (2)$$

$$\frac{1}{\sqrt{2}} (|\frac{3}{2}, +\frac{1}{2}\rangle + |\frac{1}{2}, +\frac{1}{2}\rangle) \quad (3)$$

$$\frac{1}{\sqrt{2}} (|\frac{3}{2}, +\frac{1}{2}\rangle - |\frac{1}{2}, +\frac{1}{2}\rangle) \quad (4)$$

۱۰۷- با تابع موج آزمون $\psi(x) = A x e^{-\beta x^2}$ (که $\beta > 0$ ضریبی ثابت و A ضریب بهنجارش است) و با استفاده از روش وردش، مناسب‌ترین مقدار β برای این که تابع $\psi(x)$ نزدیکترین انرژی به انرژی حالت پایه ذره‌ای به جرم m در

$$V(x) = \begin{cases} \frac{1}{2} m \omega^2 x^2 & x > 0 \\ \infty & x \leq 0 \end{cases} \quad \text{پتانسیل را بدهد، کدام است؟}$$

$$\frac{m\omega}{\hbar} \quad (1)$$

$$\frac{\sqrt{2}m\omega}{\hbar} \quad (2)$$

$$\frac{m\omega}{\sqrt{2}\hbar} \quad (3)$$

$$\frac{\sqrt{2}m\omega}{\sqrt{2}\hbar} \quad (4)$$

۱۰۸- کمترین انرژی مجموعه‌ای از تعداد ۳۴ الکترون هر یک به جرم m در یک جعبه‌ی مکعبی به ضلع L ، چند برابر

$$\frac{h^2}{8mL^2}$$

است؟ الکترون‌ها با یکدیگر بر هم کنش الکتریکی ندارند.

۱۰۲ (۱)

۲۹۶ (۲)

۳۵۴ (۳)

۱۰۳۴ (۴)

۱۰۹- در یک اتم هیدروژن الکترون (با جرم m_e) در تراز $n = 2$ و حالت آن برحسب نمادگذاری طیف نگاری ${}^2P_{1/2}$ است. با

$$H_{so} = \frac{e^2}{4\pi\epsilon_0} \frac{1}{2m_e^2 c^2} \frac{\vec{S} \cdot \vec{L}}{r^3}$$

در نظر گرفتن برهم کنش اسپین مدار به صورت H_{so} ، جابجایی انرژی این حالت کدام است؟

$$\langle \Psi_{n\ell m} | \frac{1}{r^3} | \Psi_{n\ell m} \rangle = \frac{2}{a_0^3 n^3 \ell(\ell+1)(2\ell+1)}, \alpha = \frac{e^2}{4\pi\epsilon_0 \hbar c}, a_0 = \frac{\hbar}{m_e c \alpha}$$

$-\frac{1}{48} m_e c^2 \alpha^2$ (۱)

$-\frac{1}{48} m_e c^2 \alpha^4$ (۲)

$-\frac{1}{24} m_e c^2 \alpha^4$ (۳)

$-\frac{1}{24} m_e c^2 \alpha^2$ (۴)

۱۱۰- در پراکندگی نوترون‌های کم انرژی با جرم m_n از یک هسته، جابجایی‌های فاز غیرصفر عبارتند از:

$$\delta_0 = \frac{\pi}{2}, \delta_1 = \frac{\pi}{3}, \delta_2 = \frac{\pi}{4}, \delta_3 = \frac{\pi}{6} \text{ و } \delta_4 = \frac{\pi}{12}$$

اگر انرژی نوترون‌ها در فاصله‌ی دور از هسته E باشد، سطح

$$\frac{\hbar^2}{m_n E_0}$$

مقطع پراکندگی کل کشتان تقریباً چند برابر است؟

۱۳/۴ (۱)

۲۵/۵ (۲)

۲۶/۹ (۳)

۵۰/۹ (۴)