



512  
C

نام  
نام خانوادگی  
محل امضاء



جمهوری اسلامی ایران  
وزارت علوم، تحقیقات و فناوری  
سازمان سنجش آموزش کشور

اگر دانشگاه اصلاح شود مملکت اصلاح می شود.  
امام خمینی (ره)

دفترچه شماره ۱  
صبح جمعه  
۹۳/۱۱/۱۷

### آزمون ورودی دوره های کارشناسی ارشد ناپیوسته داخل - سال ۱۳۹۴

مجموعه مهندسی کامپیوتر - کد ۱۲۷۷

مدت پاسخگویی: ۱۴۰ دقیقه

تعداد سؤال: ۷۳

عنوان مواد امتحانی، تعداد و شماره سؤالات

ردیف	مواد امتحانی	تعداد سؤال	از شماره	تا شماره
۱	زبان عمومی و تخصصی (انگلیسی)	۳۰	۱	۳۰
۲	ریاضیات (ریاضیات مهندسی، آمار و احتمالات، محاسبات عددی، ساختمان های گسسته)	۱۶	۳۱	۴۶
۳	دروس تخصصی مشترک (ساختمان داده ها، نظریه زبانها و ماشینها، مدارهای منطقی، معماری کامپیوتر، سیستم عامل)	۲۷	۴۷	۷۳

این آزمون نمره منفی دارد.

استفاده از ماشین حساب مجاز نیست.

بهمن ماه - سال ۱۳۹۳

حق چاپ، تکثیر و انتشار سؤالات به هر روش (الکترونیکی و ...) پس از برگزاری آزمون، برای تمامی اشخاص حقیقی و حقوقی تنها با مجوز این سازمان مجاز می باشد و با متخلفین برابر مقررات رفتار می شود.

**PART A: Vocabulary**

**Directions:** Choose the word or phrase (1), (2), (3), or (4) that best completes each sentence. Then mark your answer sheet.

- 1- Being an honest person, she was unwilling to ----- Peter in the swindle he had planned.  
1) confirm                      2) abet                      3) jeopardize                      4) impede
- 2- The girl is surrounded by so many possessions that testify to her family's -----.  
1) opulence                      2) activism                      3) propensity                      4) elitism
- 3- The physician advised the ----- man to lose weight if he wanted to not be afflicted with different medical complications.  
1) craven                      2) sturdy                      3) immense                      4) obese
- 4- Enlightened slave owners were willing to ----- their slaves and thus put an end to the evil.  
1) initiate                      2) emancipate                      3) efface                      4) reject
- 5- One of the most striking aspects of Indian cultures was the production of ceremonial costumes and ornaments worn during religious -----.  
1) rituals                      2) subtleties                      3) fashions                      4) prefaces
- 6- The Clarks' ----- spending habits have put them in debt.  
1) extemporaneous                      2) divisive                      3) extravagant                      4) passionate
- 7- The people who had lost their homes in the fire tried to ----- whatever was salvageable from the ruins of that fire.  
1) confront                      2) extinguish                      3) exclude                      4) glean
- 8- The new study will test different doses for safety. And scientists should be able to tell if the antibodies ----- some of Alzheimer's devastating mind-robbing symptoms.  
1) emerge                      2) predict                      3) alleviate                      4) precede
- 9- Coaches often tell their players that a little nervousness is good because it keeps them on their -----.  
1) limbs                      2) toes                      3) fingers                      4) feet
- 10- Without liquids or food, people typically ----- after 10 to 14 days.  
1) diminish                      2) recede                      3) falter                      4) perish

**PART B: Cloze Passage**

**Directions:** Read the following passage and decide which choice (1), (2), (3), or (4) best fits each space. Then mark your answer sheet.

Like most people, students tend to be overconfident about newly learned skills. This self-assessment problem can occur because the common educational practice of "massed training" promotes rapid acquisition of a skill—and self-confidence—but (11) ----- retention of that capability. In mass training, instructors teach students in one or a few intense sessions. Students (12) ----- such instruction quickly obtain the relevant knowledge. Yet skills taught in this way tend to decay rapidly, (13) ----- people remain unaware of this fact. (14) ----- more evident than in driver education. Although millions of dollars (15) ----- on such courses, they do not, the data suggest, produce safer drivers.

- 11- 1) not necessary for the                      2) necessarily none of the  
3) not necessarily the                      4) for no necessary
- 12- 1) undergo                      2) undergone                      3) by undergoing                      4) undergoing
- 13- 1) although                      2) however                      3) so that                      4) then



- 14- 1) Nowhere might this problem be  
 2) This problem nowhere might be  
 3) Nowhere might be this problem  
 4) Nowhere this problem might be  
 15- 1) spent  
 2) are spent  
 3) being spent  
 4) that are spent

### PART C: Reading Comprehension

**Directions:** Read the following four passages and answer the questions by choosing the best choice (1), (2), (3), or (4). Then mark the correct choice on your answer sheet.

#### PASSAGE 1:

Mobile data communication is omnipresent. The mobile Internet connects people anywhere and allows for voice services and the exchange of data and multimedia content at any time. Numerous innovations in the information and communication technology (ICT) sector have enabled exponential growth in network capacity, leading to the emergence of smart phones and a user-experience rich in multimedia. The Internet of Things (IoT) connects devices, or objects, to increase their efficiency by exploiting the potential of networking. The next wave of innovation will create the Tactile Internet. Extremely low latency in combination with high availability, reliability and security will define the character of the Tactile Internet. It will have a marked impact on business and society, introducing numerous new opportunities for emerging technology markets and the delivery of essential public services. The potentials of the Tactile Internet rely on application fields ranging from industry automation and transport systems to healthcare, education and gaming.

- 16- **Suggest a suitable title for the provided passage**  
 1) The future of Internet governance  
 2) Management of IoT services and applications  
 3) Vision Tactile Internet - The next wave of future innovation area  
 4) tam The Internet, one of the most disruptive technologies of the 20th century
- 17- **According to the provided passage, which of the suggested platforms has increased people communication?**  
 1) Automation and transport systems  
 2) Mobile internet and IoTs  
 3) Voice services  
 4) Social media
- 18- **Which of the following phrases is NOT highlighted about Tactile Internet in the provided passage?**  
 1) One of the key features for Tactile Internet is low latency  
 2) The market impact of Tactile Internet is unknown as a new concept  
 3) A tangible platform to provide new opportunities for emerging technologies including smart phones  
 4) The Tactical Internet's demands on future digital infrastructure and its expected impact on society are enormous



**PASSAGE 2:**

The debate over the balance between privacy and security continues to rage. On the one hand, the desire for privacy is nearly universal and many people regard personal information as personal property to be divulged only by choice or when required for a greater good. On the other hand, criminal and terrorist activity on the internet continues to increase, and national security and public safety are often seen as legitimate reasons for government to intervene to collect personal information. The collection, without permission, of personal information by commercial enterprises for profit-related activities adds a further layer of complexity.

**19- Which of the following can be a suitable title for the above passage?**

- 1) What new risks are generated by Big Data and the Internet of Things.
- 2) Should our right to privacy be secondary to the need to protect national security.
- 3) The future of data protection in the EU - political, legal and technical implementation of the right to be forgotten.
- 4) The current cyber-threat landscape and national/international responses.

**20- The underlined term "rage" in this context means:**

- 1) become outrageous
- 2) to extravagant
- 3) grossly offensive to decency, authority, etc
- 4) to spread rapidly and uncontrollably

**21- According to the provided passage:**

- 1) Personal information used by authority helps securing the Internet
- 2) People are happy to reveal their information to as personal property.
- 3) It becomes more complicated when the data is divulged to the marketing sector without their consent.
- 4) Legitimate reasons for the government cause criminal and terrorist activity on the internet.

**22- The term "intervene" underlined in the provided passage means:**

- 1) to interpose and become a party to a legal action between others
- 2) to preface and serve as an introduction to
- 3) to prevent and impede from happening
- 4) to precede and exist before

**PASSAGE 3:**

As microcosms of the Internet of Everything (IoE), cities stand to benefit the most from connecting people, process, data, and things. Cities are developing IoE-related projects, platforms, and implementations. Importantly, the IoE ambitions and scope are designed to respond to the need for real-time, context-specific information intelligence and analytics to address specific local imperatives. IoE technical architectures for cities require seamless integration of sensors in a mutualised communication environment. Traditionally, a specific network is deployed around a given application, such as streetlight management, video surveillance, or environmental monitoring. While separate networks provide a natural separation of domains, typically they are not optimised (costs, security, availability), bringing about information silos. In addition, interaction between the sensor and devices in each network requires specific integration.



- 23- According to the provided passage, what is the key challenge for the smart city realisation?
- 1) Connecting people
  - 2) Data analysis
  - 3) Integration of networks
  - 4) Seamless architecture model
- 24- What are the drawbacks of running separated traditional networks and domains?
- 1) Difficult surveillance and environmental monitoring
  - 2) Complexity, security and availability
  - 3) Seamless integration of sensor networks
  - 4) Deployment of specific applications
- 25- Which of the following points is incorrect?
- 1) Separated domains are optimised w.r.t. costs, security, and availability.
  - 2) Interaction between the sensor and devices in each network requires specific integration.
  - 3) Smart cities demand for a seamless integration of sensors in a mutualised communication environment.
  - 4) The IoE scope is mainly focused on the need for real-time data delivery and context-specific information intelligence and analytics.

**PASSAGE 4:**

Traditional supercomputers focused on performing calculations at blazing speeds have fallen behind when it comes to sifting through huge amounts of "Big Data." Today, with the fast advance of big data science, analytics and technology, big data researchers and application professionals are able to access to diverse data mining and machine learning algorithms, open-source platforms & tools, and cloud DB technology and big data access technologies. When dealing with larger datasets, organizations face difficulties in being able to create, manipulate, and manage big data. Big data is particularly a problem in business analytics because standard tools and procedures are not designed to search and analyse massive datasets.

According to IDC's prediction in 2013, the market for big data will reach \$16.1 billion in 2014, growing 6 times faster than the overall IT market. Emergent big data computing and services can be used in many disciplines and diverse applications, including business management, library science, energy and environment, biomedical, and healthcare and life science, social media and networking, smart city, and transportation, etc.

- 26- According to the provided passage, which of the following statements is correct:
- 1) Scalable and efficient big data computing services is one of the main challenges of BigData domain.
  - 2) Well-defined domain-specific big data knowledge engineering and analytic intelligence are currently in place.
  - 3) Super computers with blazing speed are already in place for big data infrastructures to support with high-quality big data DB technologies and tools.
  - 4) Various big data banks and resources with quality data collection, validation, evaluation and certification methods and standards are only required for hospitals /and e-health applications.
- 27- Provide a synonym for underlined word "sift through" in the passage:
- 1) Data mining
  - 2) Big data computing
  - 3) Break through the data
  - 4) Examine a lot of things carefully
- 28- The underlined term "Emergent" in the provided passage means:
- 1) Critical
  - 2) Emergency
  - 3) Prominent
  - 4) interesting



- 29- According to the provided passage, which one of the followings best describes the main financial driver for Big Data innovations?
- 1) The ever growing market for big data for the overall IT market across different disciplines.
  - 2) Big Data and Service Sharing in big data banks and resources, portals, platforms, and open-sources, technology and tools.
  - 3) Diverse data mining and machine learning algorithms, open-source platforms & tools, and cloud DB technology and big data access technologies.
  - 4) Big Data applications in real world and service projects for major application domains, including energy and environment, medical and healthcare, library, social media and networking, and education.
- 30- Which of the following statements is incorrect?
- 1) The big data market grows six times faster than the overall IT market.
  - 2) Existing hardware platforms are not fast enough for performing calculations of huge amounts of "Big Data."
  - 3) The larger the datasets, organizations can create, manipulate, and manage big data.
  - 4) Current standard tools, machine learning and data mining algorithms cannot tackle the search and analysis of massive datasets.

ریاضیات (ریاضیات مهندسی، آمار و احتمالات، محاسبات عددی، ساختمان‌های گسسته):

۳۱- اگر سری فوریه تابع  $f(x) = \begin{cases} 1 & -\pi < x < 0 \\ \sin x & 0 < x < \pi \end{cases}$  ،  $f(x) = f(x + 2\pi)$  به صورت

$f(x) = \frac{a_0}{2} + \sum_{n=1}^{\infty} (a_n \cos nx + b_n \sin nx)$  باشد، کدام گزینه در مورد ضرایب سری فوریه صحیح است؟

$$a_n = 0, n = 2k + 1 \text{ و } b_n = 0, n = 2k + 1 \quad (1)$$

$$a_n = 0, n = 2k \text{ و } b_n = 0, n = 2k + 1 \quad (2)$$

$$a_n = 0, n = 2k \text{ و } b_n = 0, n = 2k \quad (3)$$

$$a_n = 0, n = 2k + 1 \text{ و } b_n = 0, n = 2k \quad (4)$$

۳۲- معادله لاپلاس در مختصات قطبی  $\frac{1}{r} \frac{\partial}{\partial r} \left( r \frac{\partial u}{\partial r} \right) + \frac{1}{r^2} \frac{\partial^2 u}{\partial \theta^2}$  را همراه با شرط مرزی  $u(a, \theta) = \begin{cases} 2\theta & 0 < \theta < \pi \\ 0 & \pi < \theta < 2\pi \end{cases}$

در نظر بگیرید. در این صورت مقدار  $u(0, \theta)$  چقدر است؟

$$2\pi \quad (1)$$

$$\pi \quad (2)$$

$$\frac{\pi}{2} \quad (3)$$

$$0 \quad (4)$$

۳۳- حاصل انتگرال مختلط  $\oint_{|z|=2} z^2 \bar{z} e^{z-1} dz$  کدام است؟

(۱)  $\frac{7\pi i}{3}$

(۲)  $\frac{13\pi i}{3}$

(۳)  $\frac{15\pi i}{3}$

(۴)  $\frac{19\pi i}{3}$

۳۴- اگر  $u = \psi(x, t)$  جواب معادله دیفرانسیل پاره‌ای با شرایط اولیه زیر باشد، آنگاه مقدار  $\psi(\frac{\pi}{2}, \frac{\pi}{6})$  کدام است؟

$$u_{tt} - u_{xx} = 0 \quad -\infty < x < \infty, t > 0$$

$$u(x, 0) = \sin x$$

$$u_t(x, 0) = \cos x$$

(۱)  $\frac{1}{2}$

(۲)  $\frac{1}{\sqrt{2}}$

(۳)  $\frac{\sqrt{2}}{2}$

(۴) ۱

۳۵- کارخانه‌های A و B یک مولفه‌ی الکتریکی را تولید می‌کنند که با احتمال‌های به ترتیب ۰٫۰۵ و ۰٫۰۱ معیوب هستند اگر دو مولفه‌ای که توسط یک کارخانه (با احتمال برابر) تولید شده‌اند را خریداری کنیم و اولین مولفه معیوب باشد، احتمال شرطی اینکه دومی نیز معیوب باشد، کدام است؟

(۱)  $\frac{13}{50}$

(۲)  $\frac{13}{100}$

(۳)  $\frac{13}{200}$

(۴)  $\frac{13}{300}$

۳۶- اگر طول عمر (بر حسب سال) یک مولفه‌ی کامپیوتری از توزیع گاما با میانگین ۶ و واریانس ۱۸ تبعیت کند، احتمال این که این مولفه حداقل ۹ سال عمر کند، کدام است؟

(۱)  $4e^{-2}$

(۲)  $2e^{-2}$

(۳)  $e^{-2}$

(۴)  $e^{-2}$

۳۷- فرض کنید  $x_1, \dots, x_n$  یافته‌های یک نمونه‌ی تصادفی از جامعه‌ای با تابع چگالی احتمال زیر باشد:

$$f(x; \theta) = \begin{cases} (\theta+1)x^\theta & 0 < x < 1 \\ 0 & \text{سایر جاها} \end{cases}$$

برآورد  $\theta$  به روش گشتاوری، کدام است؟

$$\frac{\bar{x}-1}{1-2\bar{x}} \quad (1)$$

$$\frac{2\bar{x}+1}{1-\bar{x}} \quad (2)$$

$$\frac{2\bar{x}-1}{1-\bar{x}} \quad (3)$$

$$\frac{2\bar{x}-1}{1+\bar{x}} \quad (4)$$

۳۸- فرض کنید  $X \sim B(4, p)$  باشد. برای آزمون  $H_0: p = 0.2$  در مقابل  $H_1: p > 0.2$  اگر  $X = 4$  باشد،

فرض  $H_0$  را رد کنید. احتمال خطای نوع اول کدام است؟

$$0.0022 \quad (1)$$

$$0.0016 \quad (2)$$

$$0.05 \quad (3)$$

$$0.016 \quad (4)$$

۳۹- اگر  $p(x)$  و  $q(x)$  دو چندجمله‌ای درونیاب لاگرانژ از درجه  $n$  به ترتیب در نقاط گره‌ای

$\{(x_i, y_i) : i = 0, \dots, n\}$  و  $\{(x_i, y_i) : i = 1, \dots, n+1\}$  باشند. چندجمله‌ای درونیاب لاگرانژ حداکثر از

درجه  $n+1$  در نقطه گره‌ای  $\{(x_i, y_i) : i = 0, \dots, n+1\}$  کدام است؟

$$\frac{(x-x_0)q(x) - (x-x_{n+1})p(x)}{x_{n+1} - x_0} \quad (1)$$

$$\frac{(x-x_0)p(x) - q(x)}{x_{n+1} - x_0} \quad (2)$$

$$\frac{(x-x_{n+1})q(x) - (x-x_0)p(x)}{x_{n+1} - x_0} \quad (3)$$

$$\frac{(x-x_0)q(x) - p(x)}{x_{n+1} - x_0} \quad (4)$$



۴۰- تابع  $f(x)$  در  $x = \alpha$  دارای ریشه مضاعف و  $f''$  در همسایگی  $\alpha$  تعریف شده است. اگر دنباله  $\{x_n\}$  برای حل معادله  $f(x) = 0$  به روش نیوتن به دست آمده باشد، کدام صحیح است؟ (a) و b بین  $\alpha$  و  $x_n$  واقع هستند)

$$\frac{x_{n+1} - \alpha}{(x_n - \alpha)^2} = \frac{f''(a)}{2f'''(b)} \quad (1)$$

$$\frac{x_{n+1} - \alpha}{(x_n - \alpha)^2} = \frac{f''(a)}{2f'(b)} \quad (2)$$

$$\frac{x_{n+1} - \alpha}{x_n - \alpha} = \frac{f''(a)}{2f'''(b)} \quad (3)$$

$$\frac{x_{n+1} - \alpha}{x_n - \alpha} = \frac{f''(a)}{2f'(b)} \quad (4)$$

۴۱- در محاسبه  $\int_0^1 (x^6 - mx^5) dx$ ، خطای روش دوزنقه از روش سیمپسون کمتر است. حدود  $m$ ، کدام است؟

$$\frac{15}{14} < m < \frac{15}{74} \quad (1)$$

$$\frac{23}{48} < m < \frac{57}{63} \quad (2)$$

$$\frac{217}{210} < m < \frac{263}{238} \quad (3)$$

$$\frac{237}{215} < m < \frac{279}{193} \quad (4)$$

۴۲- چند سه تایی  $(A, B, C)$  از زیرمجموعه‌های  $\{1, 2, 3, 4\}$  در نامساوی زیر صدق می‌کنند؟

$$A \cap B \subseteq C \subseteq A \cup B$$

۴۵۰ (۲)	۱۲۹۶ (۱)
۱۰۲۴ (۴)	۶۲۵ (۳)

۴۳- فرض کنید  $G$  گرافی مسطح و همبند با ۱۶ رأس باشد که درجه‌ی هر رأس آن ۴ است. وقتی این گراف به صورت مسطح در صفحه قرار می‌گیرد، هر یک از ناحیه‌های منتهای ایجادشده سه ضلعی یا چهارضلعی هستند و مرز ناحیه‌ی نامتناهی نیز از چهار یال تشکیل شده است. چند ناحیه‌ی سه ضلعی در این گراف وجود دارد؟

۸ (۲)	۷ (۱)
۱۰ (۴)	۹ (۳)

۴۴- فرض کنید رابطه‌ی  $R = \{(a, b), (b, c), (b, d), (c, e), (d, e), (c, f), (e, a)\}$  بر روی مجموعه‌ی شش عضوی  $\{a, b, c, d, e, f\}$  تعریف شده است. بستار تعدی  $R$  چند عضو دارد؟

۳۶ (۲)	۲۵ (۱)
۳۰ (۴)	۳۱ (۳)

۴۵- با فرض درستی گزاره‌های  $(p \wedge q) \vee r$  و  $r \rightarrow s$  کدام یک از گزاره‌های زیر را نمی‌توان استنتاج کرد؟

$q \vee s$ (۲)	$p \vee s$ (۱)
هر سه (۴)	$p \vee q$ (۳)

۴۶- رقم یکان عدد  $1 + 2^{1292} + 3^{1292} + 4^{1292}$  چند است؟

۲ (۲)	۰ (۱)
۸ (۴)	۶ (۳)



دروس تخصصی مشترک (ساختمان داده‌ها، نظریه زبانها و ماشینها، مدارهای منطقی، معماری کامپیوتر، سیستم عامل):

۴۷- فرض کنید در الگوریتم مرتب‌سازی سریع پس از عمل بخش‌بندی (Partition) آرایه‌ی  $(3, 1, 2, 4, 5, 8, 7, 6, 9)$  به دست آمده است. چند عدد از بین ۹ عدد در آرایه ممکن است محور این بخش‌بندی قرار گرفته باشند؟

- (۱) ۳  
(۲) ۲  
(۳) ۵  
(۴) ۴

۴۸- می‌خواهیم مجموعه‌ای از  $n$  لیست خطی داشته باشیم که بتوانیم اعمال زیر را بر روی آن‌ها انجام دهیم:

- $Insert(x, i)$ : درج عنصر جدید  $x$  در لیست  $i$ . هزینه‌ی این کار ۱ واحد است.
- $Sum(i)$ : جمع همه‌ی عناصر لیست  $i$  را به دست آورده و کل لیست را با یک عنصر با مقدار جمع به دست آمده جایگزین می‌کند. هزینه‌ی این کار برابر تعداد عناصر موجود در لیست  $i$  هنگام اجرای عمل فوق است.

اگر با لیست‌های تهی آغاز کنیم و اعمال گفته‌شده را به ترتیب دل‌خواه انجام دهیم، هزینه‌ی سرشکن هر یک از اعمال بالا متناسب با کدام گزینه است؟

- (۱) درج: ۲، جمع: ۱  
(۲) درج: ۱، جمع: ۲  
(۳) درج: ۱، جمع:  $n$   
(۴) درج:  $n$ ، جمع: ۱

۴۹- فرض کنید برای درهم‌سازی از روش زنجیره‌ای با یک جدول به اندازه‌ی  $m$  استفاده شده است. تابع درهم‌ساز رکورد با کلید  $k$  را به خانه‌ی  $k \bmod m$  نگاشت می‌کند. اگر بدانیم کلید رکوردها زیرمجموعه‌ی  $\{i^2 \mid 1 \leq i \leq 100\}$  است، به ازای کدام یک از  $m$ ‌های زیر هزینه‌ی جست‌وجو در بدترین حالت کم‌تر است؟

- (۱) ۱۱  
(۲) ۷  
(۳) ۹  
(۴) ۱۳

۵۰- کدام گزینه حل تابع بازگشتی زیر است؟

$$T(n) = T(\log n) + O(1), \quad T(1) = 1$$

- (۱)  $O(\log n)$   
(۲)  $O(\log^2 n)$   
(۳)  $O(\log^* n)$   
(۴)  $O(n/\log n)$





۵۳- کدام زبان ذاتاً مبهم است؟

$$L = \{a^n b^{2n} c : n \geq 0\} \cup \{a^{2n} b^n d : n \geq 0\} \quad (1)$$

$$L = \{a^n b^m c^p : n \neq m\} \cup \{a^n b^m c^p : m \neq p\} \quad (2)$$

$$L = \{a^n b a^{2n} : n \geq 0\} \cup \{a^{2n} b a^n : n \geq 0\} \quad (3)$$

$$L = \{\omega : \omega \in \{a, b\}^* \text{ را ندارد } abab\} \cup \{\omega : \omega \in \{a, b\}^* \text{ را ندارد } baba\} \quad (4)$$

۵۴- کدام عبارت در مورد گرامر زیر صحیح است؟

$S \rightarrow SBA \mid a$

$BA \rightarrow AB$

$aA \rightarrow aaB$

$B \rightarrow b$

(۱) یک زبان حساس به متن و غیر مستقل از متن را معرفی می کند.

(۲) یک زبان مستقل از متن و غیر خطی را معرفی می کند.

(۳) یک زبان مستقل از متن و خطی را معرفی می کند.

(۴) قادر به تولید هیچ رشته ای نیست.

۵۵-  $G$  یک گرامر مستقل از متن است. کدام عبارت نادرست است؟

(۱) الگوریتمی وجود دارد که می گوید آیا  $\bar{L}(G)$  (مکمل زبان گرامر  $G$ ) تهی هست یا خیر

(۲) الگوریتمی وجود دارد که می گوید آیا  $L^R(G)$  (معکوس زبان گرامر  $G$ ) متناهی هست یا خیر

(۳) الگوریتمی وجود دارد که می گوید آیا  $L(G)$  متناهی هست یا خیر

(۴) الگوریتمی وجود دارد که می گوید آیا  $L^*(G)$  تهی هست یا خیر

۵۶- زبان های زیر را در نظر بگیرید:

$$L_1 = \{w_1 c w_2 : w_1, w_2 \in \{a, b\}^*, w_1 \neq w_2\}$$

$$L_2 = \{w_1 c w_2 : w_1, w_2 \in \{a, b\}^*, w_1 = w_2\}$$

کدام یک از عبارت زیر صحیح است؟

(۱)  $L_1$  مستقل از متن نیست،  $L_2$  مستقل از متن است،  $L_1$  مکمل  $L_2$  است.

(۲)  $L_1$  مستقل از متن نیست،  $L_2$  مستقل از متن نیست،  $L_1$  مکمل  $L_2$  نیست.

(۳)  $L_1$  مستقل از متن است،  $L_2$  مستقل از متن نیست،  $L_1$  مکمل  $L_2$  است.

(۴)  $L_1$  مستقل از متن است،  $L_2$  مستقل از متن نیست،  $L_1$  مکمل  $L_2$  نیست.

۵۷- در انکدر مدار شکل زیر، اولویت عدد بزرگتر بیشتر است در صورتی که حالت اولیه صفر باشد، پس از چند

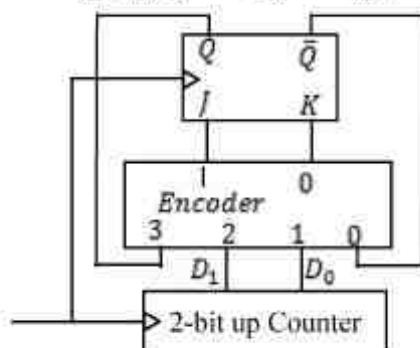
پالس ساعت  $Q$  پس از یک شدن به صفر تغییر حالت خواهد یافت؟

(۱) ۲

(۲) ۳

(۳) ۴

(۴) ۵



۵۸- تعداد PI (prime Implicant) های تابع منطقی زیر چه تعداد است و از این تعداد چند تا EPI (Essential PI) می باشند؟ (به ترتیب از راست به چپ)

$$f(a, b, c, d) = \sum m(0, 2, 4, 5, 8, 10, 11, 13, 15)$$

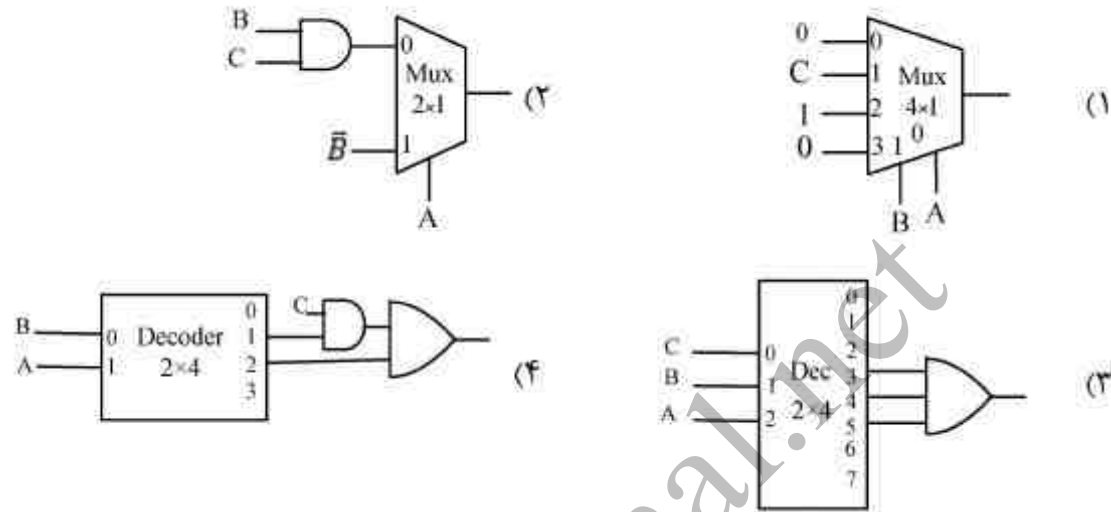
(۱) ۴ و ۱

(۲) ۷ و ۱

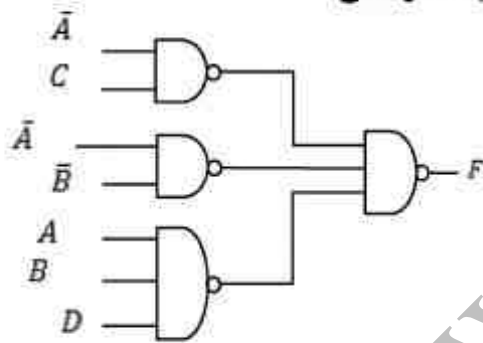
(۳) ۷ و ۲

(۴) ۸ و ۲

۵۹- عملکرد مدارهای نمایش داده شده در کدام موارد زیر با سایرین متفاوت است؟



۶۰- برای تابع  $F$ ، آیا مخاطره ایستا (static hazard) وجود دارد؟ تحت چه شرایطی؟



(۱) اگر  $B = C = D = 1$  باشد فقط به ازای تغییر  $A$  از مقدار ۱ به مقدار ۰، امکان مخاطره ایستای ۱ وجود دارد.

(۲) اگر  $B = C = D = 1$  باشد فقط به ازای تغییر  $A$  از مقدار ۰ به مقدار ۱، امکان مخاطره ایستای ۰ وجود دارد.

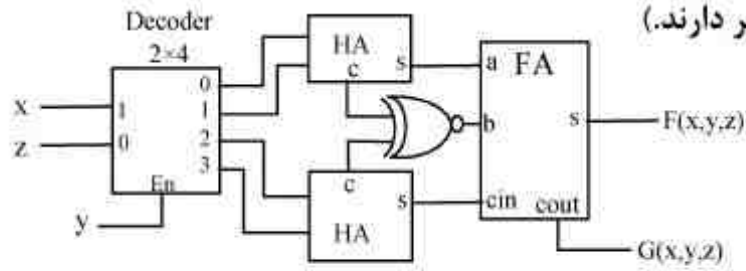
(۳) اگر  $B = C = D = 1$  باشد به ازای هر تغییر در مقدار  $A$ ، امکان مخاطره ایستای ۰ وجود دارد.

(۴) اگر  $B = C = D = 1$  باشد به ازای هر تغییر در مقدار  $A$ ، امکان مخاطره ایستای ۱ وجود دارد.



۶۱- در مورد دو تابع  $F$  و  $G$  کدام عبارت صحیح است؟

(خروجی‌های دیکدر در زمان غیر فعال بودن، مقدار صفر دارند.)



(۱) برابرند.

(۲) متمم هم هستند.

(۳) تعداد یکای تابع  $F$  بیشتر از تعداد یکای تابع  $G$  است.

(۴) تعداد صفرهای تابع  $F$  بیشتر از تعداد صفرهای تابع  $G$  است.

۶۲- مقدار اعداد نمایش داده شده در کدام مبنا با سایر موارد زیر متفاوت است؟

(۱)  $(19/1)_{16}$

(۲)  $(25/0625)_{10}$

(۳)  $(31/01)_{8}$

(۴)  $(11001/0001)_{2}$

۶۳- در یک سیستم دیجیتال با مدار کنترل ریز برنامه‌سازی شده، کل الگوهای متفاوت فعالیت ۳۲ سیگنال

کنترلی سیستم ۴۵۰ عدد است. با فرض اینکه حجم ریز حافظه ( $\mu$  Memory) ۱k ریز دستور است،

استفاده از تکنیک نانو حافظه (Nano memory) چند بیت از حجم ریز حافظه می‌کاهد؟

(۱) ۲۲ k bits

(۲) ۲۳ k bits

(۳) ۴۵۰ k bits

(۴)  $9 \text{ k bits} + 450 \times 32 \text{ k bits}$

۶۴- در یک ماشین سه آدرسه از شیوه‌های نشانی‌دهی مستقیم حافظه‌ای و ثباتی استفاده شده است. حجم

حافظه اصلی  $2^{20}$  واحد آدرس‌پذیر هشت بیتی و طول کلمه برابر چهار واحد آدرس‌پذیر است. اگر تعداد

دستورات یک کلمه‌ای برابر تعداد دستورات نیم کلمه‌ای باشد، در آن صورت ماشین دارای چند ثبات همه

منظوره است؟

(۱) ۸

(۲) ۱۶

(۳) ۳۲

(۴) با این فرضیات قابل تعیین نیست.

۶۵- هشت دستگاه ورودی از طریق خط وقفه مشترک آمادگی خود را در جهت انتقال داده از دنیای بیرون

کامپیوتر به حافظه اعلام می‌کنند. پردازنده پس از دریافت وقفه و پذیرش آن، جهت تشخیص دستگاه‌های

وقفه دهنده به دستگاه‌ها سرکشی کرده و از طریق خواندن کلمه وضعیت آن‌ها مشخص می‌کند کدام

دستگاه تقاضای انتقال داده دارد. با مشخص شدن دستگاه مذکور، پردازنده انتقال داده از آن دستگاه به

حافظه را از طریق یک فرمان DMA انجام می‌دهد. کدام عبارت در مورد روش I/O در این سیستم

صحیح‌تر است؟

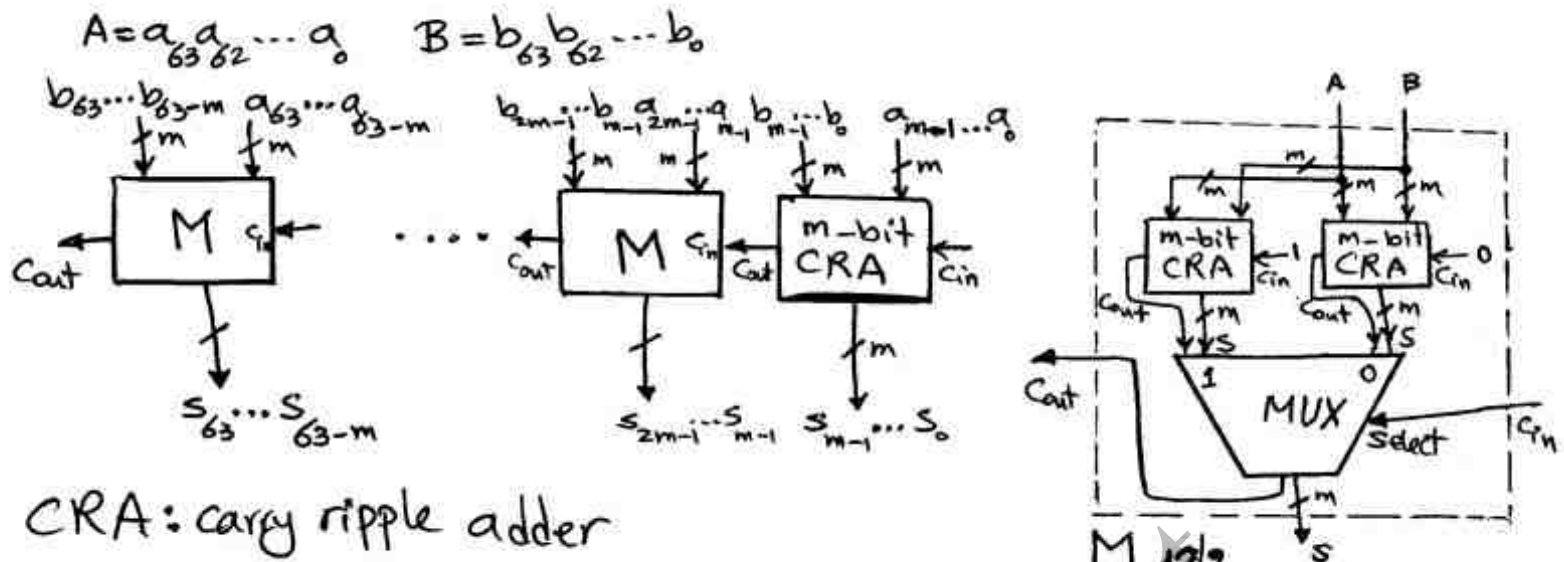
(۱) روشی ترکیبی از Interrupted I/O و DMA است.

(۲) روشی ترکیبی از Programmed I/O و DMA است.

(۳) روشی ترکیبی از Interrupted I/O و Programmed I/O است.

(۴) روشی ترکیبی از Interrupted I/O و Programmed I/O و DMA است.

۶۶- برای جمع دو عدد ۶۴ بیتی A و B از واحدهای m-bit carry ripple adder و Multiplexer طبق شکل زیر استفاده می‌کنیم. تأخیر عمل جمع مذکور در چه صورت کمترین است؟



CRA: carry ripple adder

$m = 4$  (۴)

$m = 8$  (۳)

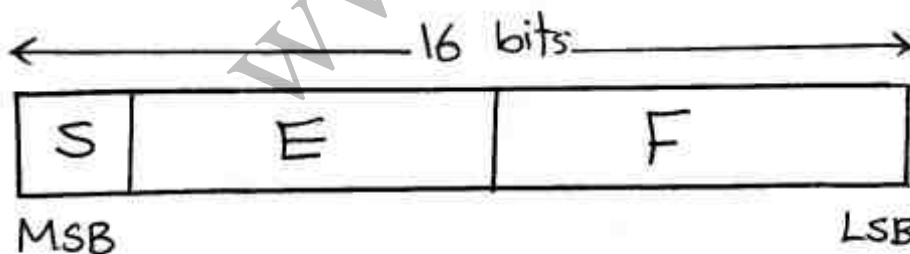
$m = 16$  (۲)

$m = 32$  (۱)

۶۷- در یک سیستم کامپیوتری از حافظه مجموعه - انجمنی ۸ راهه (8 way set Associative) به ظرفیت 512kByte و اندازه بلوک ۶۴ بایت استفاده شده است. ظرفیت حافظه اصلی ۳۲ مگابایت می‌باشد. اندازه نشانه یا tag آدرس چند بیت است؟

- ۸ (۱)
- ۹ (۲)
- ۱۴ (۳)
- ۱۵ (۴)

۶۸- اگر عدد  $(-9,9\dots9)_{10}$  در یک سیستم نمایش اعداد ممیز شناور با فرمت کلی زیر به صورت  $C8FF_{16}$  کد شود، تعداد بیت‌های تخصیص داده شده به توان (E) و بخش اعشاری (F) کدام است؟



- E: 7 , F: 8 (۱)
- E: 6 , F: 9 (۲)
- E: 5 , F: 10 (۳)
- E: 4 , F: 11 (۴)

مقدار عدد =  $(-1)^S * 1.F * 2^{E-Bias}$

۶۹- کدام یک از عبارات زیر صحیح است؟

- (۱) اندازه آدرس‌های مجازی و فیزیکی با هم برابر است.
- (۲) dispatcher اولویت ریسه‌ها (thread) ها را تعیین و مقدار دهی می‌نماید.
- (۳) اگر یک ریسه (Thread), cpu-bound باشد باید اولویت آن برای دسترسی به IO بالاتر از ریسه‌های IO-bound باشد.
- (۴) اگر در یک سیستم مدیریت حافظه garbage collection استفاده شود این سیستم دچار fragmentation نمی‌شود.



- ۷۰- کدام یک از روش‌های زیر برای پیاده‌سازی سمافور در سیستم با چند پردازنده، مناسب است؟  
 (۱) با استفاده از دستور Test & set و Busy waiting  
 (۲) استفاده از flag و Busy waiting  
 (۳) با استفاده از ویژگی‌های زبان‌های سطح بالا  
 (۴) غیر فعال نمودن وقفه‌ها

- ۷۱- چگونه سیستم عامل می‌تواند بر کوبیدگی (thrashing) غلبه کند؟  
 (۱) اندازه صفحه افزایش یابد.  
 (۲) درجه چند برنامگی افزایش یابد.  
 (۳) سرعت ورودی - خروجی افزایش یابد.  
 (۴) تخصیص حافظه به پردازنده‌ها با توجه به اندازه پنجره‌کاری آن‌ها تنظیم گردد.

- ۷۲- فرض کنید که دو ریسه (thread) قطعه کدهای زیر را به صورت همروند اجرا نمایند. در این قطعه کدها، ریسه‌ها به متغیرهای مشترک a و b و c دسترسی دارند. مقادیر ممکن برای c پس از اجرای این قطعه کدها کدام است؟

Initialization	Thread 1	Thread 2	
a=4; b=0; c=0;	if (a<b) then c=b-a; else c=b+a; endif	b=10; c=-3;	(۱) 4, 7, 6, -3 (۲) 4, 7, 6, 13, -3 (۳) 4, 1, 6, -3, 14 (۴) 4, 7, 6, 13, -3, 14

- ۷۳- در مسأله غذا خوردن فیلسوف‌ها، ۵ فیلسوف دور میزی نشسته‌اند و بین هر دو فیلسوف یک چنگال قرار دارد. و هر فیلسوف برای غذا خوردن به دو چنگال نیاز دارد. فرض کنید دو نوع فیلسوف داریم: فیلسوفان چپ دست که ابتدا چنگال سمت چپ خود را بر می‌دارند و فیلسوفان راست دست که ابتدا چنگال سمت راست خود را بر می‌دارند. فرض کنید که در بین ۵ فیلسوف، حداقل یک فیلسوف چپ دست و یک فیلسوف راست دست موجود است. با توجه به توضیحات فوق، کدام عبارت صحیح است؟  
 (۱) اگر دو تا فیلسوف چپ دست یا دو فیلسوف راست دست کنار هم باشند بن بست رخ می‌دهد.  
 (۲) مستقل از نحوه نشستن فیلسوفان چپ دست و راست دست، هیچ‌گاه بن بست رخ نمی‌دهد.  
 (۳) اگر از یک نوع فیلسوف، دو تا و از نوع دیگر سه تا داشته باشیم بن بست رخ می‌دهد.  
 (۴) اگر همگی فیلسوف‌ها با هم همزمان اولین چنگال‌ها را بردارند، بن بست رخ می‌دهد.

www.isijournal.net

www.isijournal.net



www.isijournal.net