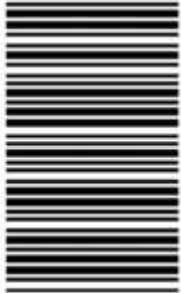


110

A



110A

نام:  
نام خانوادگی:  
محل امضا:



«اگر دانشگاه اصلاح شود مملکت اصلاح می‌شود.»  
امام خمینی (ره)

صبح پنج‌شنبه  
۹۵/۰۲/۱۶

جمهوری اسلامی ایران  
وزارت علوم، تحقیقات و فناوری  
سازمان سنجش آموزش کشور

**آزمون ورودی دوره‌های کارشناسی ارشد ناپیوسته داخل - سال ۱۳۹۵**

**مجموعه مهندسی مکانیک - کد ۱۲۶۷**

مدت پاسخگویی: ۱۸۰ دقیقه

تعداد سؤال: ۱۷۰

عنوان مواد امتحانی، تعداد و شماره سؤالات

ردیف	مواد امتحانی	تعداد سؤال	از شماره	تا شماره
۱	زبان عمومی و تخصصی (انگلیسی)	۳۰	۱	۳۰
۲	ریاضی (ریاضی عمومی ۱، ۲، معادلات دیفرانسیل، ریاضی مهندسی)	۲۰	۳۱	۵۰
۳	حرارت و سیالات (ترمودینامیک، مکانیک سیالات، انتقال حرارت)	۲۰	۵۱	۷۰
۴	جامدات (استاتیک، مقاومت مصالح، طراحی اجزا)	۲۰	۷۱	۹۰
۵	دینامیک و ارتعاشات (دینامیک، ارتعاشات، دینامیک ماشین، کنترل)	۲۰	۹۱	۱۱۰
۶	ساخت و تولید (ماشین‌ایزار، قالب پرس، علم مواد، ماشین‌های کنترل عددی، اندازه‌گیری، تولید مخصوص، هیدرولیک و نیوماتیک، مدیریت تولید)	۲۰	۱۱۱	۱۳۰
۷	مبانی بیومکانیک ۱ و ۲	۲۰	۱۳۱	۱۵۰
۸	دروس پایه پزشکی (فیزیولوژی، آناتومی، فیزیک پزشکی)	۲۰	۱۵۱	۱۷۰

این آزمون نمره منفی دارد.  
استفاده از ماشین حساب مجاز نیست.

حق چاپ، تکثیر و انتشار سؤالات به هر روش (الکترونیکی و ...) پس از برگزاری آزمون، برای تمامی اشخاص حقیقی و حقوقی تنها با مجوز این سازمان مجاز می‌باشد و یا متغلفین برابر مقررات رفتار می‌شود.

**PART A: Vocabulary**

**Directions:** Choose the word or phrase (1), (2), (3), or (4) that best completes the blank. Then mark the correct choice on your answer sheet.

- 1- In spite of the considerable effort -----, many questions still remain unanswered, thus justifying continuous research in this field of inquiry.  
1) taken                      2) wasted                      3) invested                      4) intended
- 2- The fact that "innovation" is frequently alluded to not only ----- the importance of the topic but also generates much confusion, because its meaning depends strongly on the context in which it is used.  
1) highlights                      2) circumvents                      3) alleges                      4) cites
- 3- He was stopped by the police for transgressing the law; he had actually been driving faster than the speed -----.  
1) calculation                      2) permit                      3) monitoring                      4) limit
- 4- I thought he was really hurt and became worried but later I realized that he was just ----- it.  
1) emerging                      2) faking                      3) revealing                      4) deserving
- 5- Irene's arguments in favor of his client's innocence were so ----- that no jury member could resist them.  
1) colloquial                      2) enthusiastic                      3) cogent                      4) competitive
- 6- Believe it or not, laughing is considered to be one of the easiest ----- exercises that can cure many diseases.  
1) transparent                      2) benevolent                      3) provocative                      4) therapeutic
- 7- While Alex is very spendthrift and spends money recklessly, his brother Stew is quite ----- and spends only when it is necessary.  
1) thrifty                      2) assiduous                      3) gregarious                      4) grumpy
- 8- Chronic illness can ----- people in hospital. But what if they could access all the care they needed at home in virtual wards?  
1) suffer                      2) necessitate                      3) trap                      4) involve
- 9- The underlying message of the film is that love can transcend all -----.  
1) impacts                      2) barriers                      3) analogies                      4) interjections
- 10- It is no use arguing over such a trifling matter; instead we should discuss the matters of importance and -----.  
1) pragmatism                      2) facility                      3) priority                      4) jeopardy

**PART B: Cloze Passage**

**Directions:** Read the following passage and decide which choice (1), (2), (3), or (4) best fits each space. Then mark the correct choice on your answer sheet.

Genetically modified superhumans. Babies born with made-to-order characteristics. The idea has been explored in everything from academic journals (11) ----- movies. CRISPR technology could make it (12) -----.

The ability to alter human genes in a way that can be passed onto offspring, (13) ----- germline engineering, has long been possible. But (14) ----- genetically modify animals were so inefficient and crude (15) ----- no sane biologist



would dream of using them on humans. Tinkering with the genes inside people has been limited to gene therapy, where the changes don't get passed to the next generation.

- 11- 1) in                      2) through                      3) for                      4) to  
 12- 1) to be real                      2) as real                      3) a reality                      4) being a reality  
 13- 1) called                      2) to be called                      3) which called                      4) is called  
 14- 1) until recently the methods available to  
 2) the until recently methods available to  
 3) the methods available to until recently  
 4) until available to recently methods  
 15- 1) as                      2) that                      3) because                      4) such that

### PART C: Reading Comprehension:

**Directions:** Read the following three passages and answer the questions by choosing the best choice (1), (2), (3), or (4). Then mark the correct choice on your answer sheet.

#### PASSAGE 1:

Forces

Forces acting on objects are vectors that are characterized by not only a magnitude (e.g. pounds force or Newtons) but also a direction. A force vector  $F$  (vectors are usually noted by a boldface letter) can be broken down into its components in the x, y and z directions in whatever coordinate system you've drawn:

$$F = F_x i + F_y j + F_z k \text{ Equation 13}$$

Where  $F_x$ ,  $F_y$  and  $F_z$  are the magnitudes of the forces in the x, y and z directions and  $i$ ,  $j$  and  $k$  are the unit vectors in the x, y and z directions (i.e. vectors whose directions are aligned with the x, y and z coordinates and whose magnitudes are exactly 1 (no units)).

Forces can also be expressed in terms of the magnitude  $= (F_x^2 + F_y^2 + F_z^2)^{1/2}$  and direction relative to the positive x-axis  $(= \tan^{-1}(F_y/F_x))$  in a 2-dimensional system). Note that the  $\tan^{-1}(F_y/F_x)$  function gives you an angle between  $+90^\circ$  and  $-90^\circ$  whereas sometimes the resulting force is between  $+90^\circ$  and  $+180^\circ$  or between  $-90^\circ$  and  $-180^\circ$ ; in these cases you'll have to examine the resulting force and add or subtract  $180^\circ$  from the force to get the right direction.

Some types of structures can only exert forces along the line connecting the two ends of the structure, but cannot exert any force perpendicular to that line. These types of structures include ropes, ends with pins, and bearings. Other structural elements can also exert a force perpendicular to the line. This is called the moment of force (often shortened to just "moment", but to avoid confusion with "moment" meaning a short period of time, we will use the full term "moment of force") which is the same thing as torque. Usually the term torque is reserved for the forces on rotating, not stationary, shafts, but there is no real difference between a moment of force and a torque.

- 16- The difference between a vector force and an ordinary one is that the vector force has ---  
-----,  
1) coordinate      2) component      3) direction      4) magnitude
- 17- The underlined word "aligned", as used in the first paragraph, is closest in meaning to --  
-----,  
1) flattened      2) secured      3) straightened      4) lined up
- 18- The second part of the first paragraph mainly discusses how to -----,  
1) determine the direction      2) determine the functions  
3) express coordinates      4) measure the magnitude
- 19- The underlined "This" in the second paragraph refers to the type of structure that exerts  
a force -----,  
1) along the line      2) in both directions  
3) longitudinally      4) perpendicularly
- 20- The word "moment" in the passage is a measure of -----,  
1) direction      2) force      3) torque      4) time

**PASSAGE 2:****Stresses and strains**

As a follow-on to the discussion of statics we need to consider whether a material subject to a given set of forces will break and if not, how much will it bend? To determine this, the first step is to compute the stress in the material. There are two flavors of stress, the normal stress which is the stress in the direction perpendicular to an imaginary plane in the material, and the shear stress which is the stress in the direction parallel to that same imaginary plane. Of course, this imaginary plane could be in any direction, so the magnitude of the normal and shear stresses depends strongly on the choice of said imaginary plane. How should one choose said plane and what is the relationship between normal and shear stresses?

The normal stress ( $\sigma$ ) in a material is defined as  $\sigma \equiv F/A$  where  $F$  is the force (either tension or compression) acting perpendicular to an imaginary plane surface passing through a piece of material and  $A$  is the cross section area. It is called "normal" not in the sense of being "typical" or "standard" but in the sense of being perpendicular or orthogonal to the cross-section of the material. Stress is defined as positive if the material is in tension (i.e. the material is being pulled apart) and negative if the material is in compression (i.e. being squeezed together). From the definition it is clear that stress has units of force/area, i.e. the same as pressure. The units are typically  $N/m^2$  or  $lbf/in^2$ . Often the unit of "kips" (kilopounds per square inch =  $1000\text{ lbf}/in^2$ ) is used to report stress.

In order to characterize the deformation of a material in response to stress we define another property called strain ( $\epsilon$ ) which is the fractional amount of elongation (increase in length) or contraction (decrease in length) in a material caused by a stress. For example, if under a given amount of tensile stress, a steel bar stretches from a length ( $L$ ) of 1.00 inch to 1.01 inch (a change in length,  $\Delta L$ , of 0.01 inch) the strain =  $(1.01 - 1.00)/1.00 = 0.01$ .



- 21- The underlined “this” in the first paragraph refers to -----.
- 1) the magnitude of bending                      2) the magnitude of breaking  
3) the type of force applied                      4) the type of material
- 22- According to the passage, ----- determines the magnitude of the shear.
- 1) the magnitude of the shear                      2) the direction of the plane  
3) the type of material                              4) the cross section area
- 23- The underlined word “flavors”, as used in the passage, is closest in meaning to -----.
- 1) compositions      2) smells                      3) categories                      4) tastes
- 24- According to the text, “elongation” and “contraction” are the products of -----.
- 1) tensile                      2) stretch                      3) strain                      4) stress
- 25- If stress is not perpendicular or orthogonal to the cross section, it is considered -----.
- 1) abnormal                      2) standard                      3) natural                      4) regular

### PASSAGE 3:

#### Second Law of thermodynamics

The First Law of Thermodynamics told us that energy is conserved, i.e., the energy contained in an isolated system (one that does not exchange energy with its surroundings) cannot change. But this is not the whole story, because it does not place any restrictions on the direction of a process. For example, one can readily fill a (constant-volume) combustion chamber with a mixture of methane and air at 300K, ignite the mixture with a spark, and observe a flame burn the mixture to form carbon dioxide, water and nitrogen at 2000K. Clearly this does not violate the First Law. But when was the last time you saw carbon dioxide, water and nitrogen at 2000K in a chamber spontaneously cool off to form methane and air at 300K? Clearly this does not violate the First Law either, since energy is conserved in either the forward or reverse direction, but you have never seen the reverse process and you never will.

So clearly we need a Second Law of Thermodynamics that places restrictions on the direction of processes. The Second Law invokes a property of substances called entropy, which is the measure of the “disorganization” or “randomness” of a substance. The hotter or less dense a substance is, the less information we have about where the individual molecules are, and thus the higher its entropy will be. The Second Law can be stated simply as “The entropy of an isolated system always increases or remains the same”, meaning that the entropy never decreases. The methane – air mixture at 300K has a lower entropy than the carbon dioxide, water and nitrogen mixture at 2000K, so only the usual combustion process is physically possible, never the reverse. (Of course I could take that carbon dioxide, water and nitrogen at 2000K, cool it off to 300K, break the molecules apart, rearrange them to form methane and air, but to do this I would need to increase the entropy of the surroundings by more than the entropy change of combustion, so there would be a net increase in the entropy of the universe.)

It is impossible to create a device that has no effect other than the transfer of heat from a lower temperature to a higher temperature. If this were not true, then it would be possible for an object initially at uniform temperature to spontaneously become hotter on one side and colder on the other – which is obviously a more organized (lower entropy) state than the original, uniform-temperature object. This statement is sometimes stated as “heat is always transferred from hot to cold, never the reverse” – which is only a requirement if there is no



۳۴- اگر به ازای  $x > 0$ ،  $f(x) = \int_1^x \frac{\ln t}{t+1} dt$  باشد، مقدار  $f(x) + f(\frac{1}{x})$ ، کدام است؟

(۱)  $\frac{1}{2}[(\ln x)^2 + (\ln(x+1))^2]$  (۲)  $\frac{1}{2}(x+1) \ln x$

(۳)  $(\ln x)^2$  (۴)  $\frac{1}{2}(\ln x)^2$

۳۵- با تغییر متغیر  $x = \frac{\pi}{2} - t$ ، حاصل انتگرال  $I = \int_0^{\frac{\pi}{2}} \frac{\sin x}{\sin^2 x + \cos^2 x} dx$ ، کدام است؟

(۱)  $\frac{2\pi}{\sqrt{3}}$  (۲)  $\frac{2\pi}{3\sqrt{3}}$

(۳)  $\frac{2\pi}{3\sqrt{3}}$  (۴)  $\frac{2\pi}{3}$

۳۶- کدام دستگاه تغییر متغیر، معادله  $x \frac{\partial z}{\partial x} + y \frac{\partial z}{\partial y} = 0$  را حتماً به معادله  $\frac{\partial z}{\partial u} = 0$ ، تبدیل می‌کند؟

(۱)  $\begin{cases} x = e^{u+av} \\ y = e^{u+bv} \end{cases}$  (a و b ثابت) (۲)  $\begin{cases} x = e^{u+v} \\ y = e^{u-v} \end{cases}$

(۳)  $\begin{cases} x = e^{au+v} \\ y = e^{bu+v} \end{cases}$  (a و b ثابت) (۴)  $\begin{cases} x = e^{u+v} \\ y = e^{-u+v} \end{cases}$

۳۷-  $F = -y^2 \vec{i} + x^2 \vec{j} - z^2 \vec{k}$ ، و C منحنی فصل مشترک استوانه  $x^2 + y^2 = 1$  با صفحه  $2x + 2y + z = 3$  بوده و به قسمی جهت‌دار شده که تصویر قائم آن بر صفحه xy خلاف جهت عقربه ساعت است. مقدار انتگرال روی منحنی

$\oint_C F \cdot dr$ ، کدام است؟

(۱)  $\frac{2\pi}{4}$  (۲)  $\frac{2\pi}{2}$

(۳)  $2\pi$  (۴) ۰

۳۸- مساحت بخشی از سهمی‌گون  $x = 4 - y^2 - z^2$ ؛ که بالای حلقه  $1 \leq y^2 + z^2 \leq 4$  در صفحه yz، قرار دارد، کدام است؟

(۱)  $\frac{\pi}{3}(65\sqrt{65} - 5\sqrt{5})$  (۲)  $\frac{\pi}{3}(17\sqrt{17} - 5\sqrt{5})$

(۳)  $\frac{\pi}{6}(65\sqrt{65} - 5\sqrt{5})$  (۴)  $\frac{\pi}{6}(17\sqrt{17} - 5\sqrt{5})$

۳۹- اگر C مثلث تشکیل شده از اضلاع  $x = 0$ ،  $x + y = 1$  و  $y = 0$  در صفحه xy باشد، مقدار انتگرال روی منحنی  $\oint_C y^2 dx + x^2 dy$ ، کدام است؟ (C پیموده شده در جهت مثبت است).

(۱) ۰ (۲)  $-\frac{1}{3}$

(۳)  $\frac{2}{3}$  (۴)  $\frac{1}{3}$



۴۰- اگر  $a$  و  $b$  اعداد ثابت مثبت باشند، مقدار انتگرال  $I = \int_0^a \int_0^b e^{\max(b^2 x^2, a^2 y^2)} dy dx$ ، کدام است؟

$$(۱) \frac{e^{a^2 b^2} - 1}{ab}$$

$$(۲) \frac{e^{a^2 b^2} - 1}{2ab}$$

$$(۳) \frac{e^{a^2 b^2} - 1}{2ab}$$

$$(۴) \frac{e^{a^2 b^2} - 1}{2ab}$$

۴۱- در مورد نقطه  $x=1$  در جواب مسئله مقدار اولیه  $\begin{cases} 2xy' + 3xy - 1 = -4x^2 + \ln x \\ y(1) = -1 \end{cases}$ ، کدام مورد صحیح است؟

(۱) عطف است

(۲) ماکزیمم نسبی است

(۳) معمولی است

(۴) مینیمم نسبی است

۴۲- جواب عمومی معادله دیفرانسیل  $(e^x - 3x^2 y^2)y' + ye^x = 2xy^2$ ، برابر کدام است؟

$$(۱) ye^x - x^2 y^2 = c$$

$$(۲) ye^x + x^2 y^2 = c$$

$$(۳) ye^x - x^2 y^2 = c$$

$$(۴) ye^x + x^2 y^2 = c$$

۴۳- معادله دیفرانسیل  $\frac{d^2 x}{dt^2} + \alpha \frac{dx}{dt} + \beta x = \theta \delta(t)$ ، به همراه شرط اولیه  $x'(0) = -\alpha x(0)$  داده شده است، که در آن

$\theta, \beta, \alpha$  ثابت‌اند و  $\beta - \frac{\alpha^2}{4} = -\mu^2$  و نماد  $\delta$  دلتای دیراک را نمایش می‌دهد.  $x(t)$  کدام است؟

$$(۱) \left[ x(0) \left( \mu - \frac{\alpha}{2} \right) + \theta \right] e^{\left( \mu - \frac{\alpha}{2} \right) t} + \left[ x(0) \left( \mu + \frac{\alpha}{2} \right) - \theta \right] e^{\left( -\frac{\alpha}{2} - \mu \right) t}$$

$$(۲) \frac{x(0) \left( \mu + \frac{\alpha}{2} \right) + \theta}{2\mu} e^{\left( \mu + \frac{\alpha}{2} \right) t} + \frac{x(0) \left( \mu - \frac{\alpha}{2} \right) - \theta}{2\mu} e^{\left( \mu - \frac{\alpha}{2} \right) t}$$

$$(۳) \frac{x(0) \left( \mu - \frac{\alpha}{2} \right) + \theta}{2\mu} e^{\left( \mu - \frac{\alpha}{2} \right) t} + \frac{x(0) \left( \mu + \frac{\alpha}{2} \right) - \theta}{2\mu} e^{\left( -\frac{\alpha}{2} - \mu \right) t}$$

$$(۴) \frac{x(0) \left( \mu - \frac{\alpha}{2} \right) - \theta}{2\mu} e^{\left( \mu - \frac{\alpha}{2} \right) t} + \frac{x(0) \left( \mu + \frac{\alpha}{2} \right) + \theta}{2\mu} e^{\left( -\frac{\alpha}{2} - \mu \right) t}$$

۴۴- در مورد معادله دیفرانسیل  $(1+x^2) \frac{d^2 y}{dx^2} + y = 0$ ، گزینه صحیح، کدام است؟

(۱) دو جواب سری برحسب توان‌های  $X$  مستقل خطی، یکی به صورت تابع زوج و دیگری به صورت تابع فرد دارد، هر دو همگرا به ازای  $|x| < 1$  می‌باشد.

(۲) دو جواب سری مستقل خطی برحسب توان‌های  $X$  یکی به صورت تابع زوج و دیگری به صورت تابع فرد دارد، هر دو همگرا به ازای همه  $X$ ها.

(۳) اگر  $X$  را به  $-x$  تبدیل کنیم این معادله دیفرانسیل تغییر نمی‌کند. لذا جواب‌های  $y(x)$  این معادله همه زوج هستند.

(۴) این معادله دیفرانسیل نقطه تکین ندارد و هر جواب سری به توان‌های  $X$  به ازای همه  $X$ ها همگراست.



۴۵- جواب دستگاه معادلات دیفرانسیل  $t > 0$ ، کدام است؟

$$\begin{cases} x'(t) = \frac{3}{t}x + \frac{1}{t}y \\ y'(t) = -\frac{4}{t}x - \frac{1}{t}y \end{cases}$$

$$\begin{cases} y(t) = c_1 t + c_2 t \ln t \\ x(t) = -\left(\frac{c_1}{2} + \frac{c_2}{4}\right)t - \frac{c_2}{2}t \ln t \end{cases} \quad (1)$$

$$\begin{cases} y(t) = c_1 + c_2 \ln t \\ x(t) = \frac{1}{2}(c_1 + c_2) - \frac{c_2}{4} \ln t \end{cases} \quad (2)$$

$$\begin{cases} y(t) = c_1 t - c_2 t \ln t \\ x(t) = \left(\frac{c_1}{2} + \frac{c_2}{4}\right)t - \frac{c_2}{2}t \ln t \end{cases} \quad (3)$$

$$\begin{cases} y(t) = c_1 \ln t + c_2 \\ x(t) = \frac{1}{2}(c_1 + c_2) - \frac{c_2}{4} \ln t \end{cases} \quad (4)$$

۴۶- برای سری های توابع بسل، روابط  $J_{\frac{1}{2}}(x) = \sqrt{\frac{2}{\pi x}} \cdot \cos x$  و  $J_{\frac{3}{2}}(x) = \sqrt{\frac{2}{\pi x}} \cdot \sin x$  برقرار است. با توجه به رابطه

$I_n(x) = i^{-n} J_n(ix)$  حاصل  $I_{\frac{1}{2}}(x)$  کدام است؟

$$\sqrt{\frac{2}{\pi x}} \cosh x \quad (2)$$

$$\sqrt{\frac{2}{\pi x}} \sin x \quad (1)$$

$$\sqrt{\frac{2}{\pi x}} \sinh x \quad (4)$$

$$\sqrt{\frac{2}{\pi x}} \cos x \quad (3)$$

۴۷- اگر  $v(x,y) = \frac{x}{x^2+y^2} + \cosh x \cos y$  و  $z = x + iy$  و  $f(z) = u + iv$  تابع تحلیلی باشد، حاصل  $f'(i)$  کدام

است؟

$$i(-1 + \sinh 1) \quad (2)$$

$$i - \sin 1 \quad (1)$$

$$i \quad (4)$$

$$1 \quad (3)$$

۴۸- نگاشت  $w = z + \frac{1}{z}$ ، دایره  $|z| = 2$  را به کدام منحنی تبدیل می کند؟

$$\frac{u^2}{4} + \frac{v^2}{2} = 1 \quad (2)$$

$$\frac{u^2}{4} - \frac{v^2}{2} = 1 \quad (1)$$

$$\frac{u^2}{(2/5)^2} + \frac{v^2}{(1/5)^2} = 1 \quad (4)$$

$$\frac{u^2}{(2/5)^2} - \frac{v^2}{(1/5)^2} = 1 \quad (3)$$

۴۹- حاصل  $\frac{1}{2\pi i} \oint_{|z|=1} e^{\frac{z+1}{z}} dz$  کدام است؟

$$\sum_{n=1}^{\infty} \frac{1}{n!} \quad (۲)$$

$$\sum_{n=1}^{\infty} \frac{1}{n} \quad (۱)$$

$$۱ \quad (۴)$$

$$\sum_{n=0}^{\infty} \frac{1}{n!(n+1)!} \quad (۳)$$

۵۰- فرض کنید  $u = u(x, t)$ . جواب مسئله مقدار مرزی

$$\begin{cases} u_{tt} = 9u_{xx}, & x > 0, t > 0 \\ u(0, t) = e^t, & t > 0 \\ u(x, 0) = x, & x > 0 \\ u_t(x, 0) = 0, & x > 0 \end{cases}$$

باشد. مقدار  $u(3, 2)$  کدام

است؟

$$3 + e^2 \quad (۲)$$

$$3 \quad (۱)$$

$$3 + e^{-1} \quad (۴)$$

$$3 + e \quad (۳)$$

حرارت و سیالات (ترمودینامیک، مکانیک سیالات، انتقال حرارت):

۵۱- برای یک گاز آرمانی، معادله حالت  $PV = RT$  و گرمای ویژه در فشار ثابت، ثابت می‌باشد ( $c_p = \text{const}$ ). گزینه

درست کدام است؟  $(k = \frac{c_p}{c_v})$

$$du = \frac{1}{k-1} d(PV) \quad (۱)$$

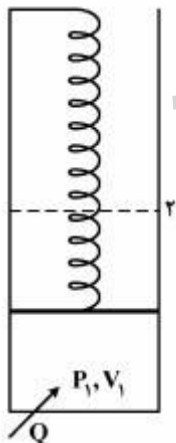
$$du = \frac{k}{k-1} d(PV) \quad (۲)$$

$$du = (k-1)d(PV) \quad (۳)$$

$$du = kd(PV) \quad (۴)$$

۵۲- سیلندر و پیستون زیر به یک فنر خطی متصل و فشار و حجم اولیه آن  $P_1$  و  $V_1$  است. به سیلندر حرارت می‌دهیم تا

حجمش دو برابر شود. در این لحظه فشارش  $P_2$  است. مقدار حرارت داده شده به سیلندر، کدام است؟



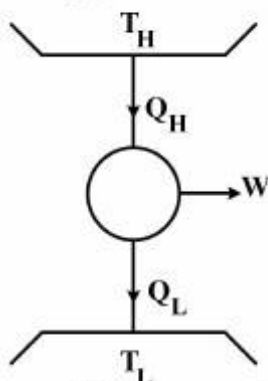
$$U_2 - U_1 + \left(\frac{P_1 + P_2}{2}\right) V_2 \quad (۱)$$

$$U_2 - U_1 + \left(\frac{P_1 + P_2}{2}\right) V_1 \quad (۲)$$

$$U_2 - U_1 + P_1 (V_2 - V_1) \quad (۳)$$

$$U_2 - U_1 + P_2 (V_2 - V_1) \quad (۴)$$

۵۳- در ماشین حرارتی زیر، اگر  $S_{gen}$  تولید انترپیی ناشی از برگشت ناپذیری ماشین باشد، راندمان حرارتی  $\eta_{th}$  برابر کدام است؟



$$1 - \frac{T_L}{Q_L} (S_{gen} + \frac{Q_L}{T_H}) \quad (1)$$

$$1 - \frac{T_L}{Q_H} (S_{gen} - \frac{Q_H}{T_H}) \quad (2)$$

$$1 - \frac{T_L}{Q_H} (S_{gen} + \frac{Q_H}{T_H}) \quad (3)$$

$$1 - \frac{T_L}{T_H} \quad (4)$$

۵۴- سوخت متان ( $CH_4$ ) با ده درصد هوای اضافی و سوخت اتیلن ( $C_2H_4$ ) با همان مقدار درصد هوای اضافی در دو اتاق احتراق متفاوت می‌سوزند. در حاصل احتراق، تنها ترکیبات کامل وجود دارد. در خصوص دمای نقطه شبنم ( $T_{DP}$ ) گازهای حاصل احتراق این دو سوخت، کدام گزینه درست است؟ (دمای محیط  $25^\circ C$  است.)

$$T_{DPCH_4} = T_{DPC_2H_4} = 25^\circ C \quad (1)$$

$$T_{DPC_2H_4} > T_{DPCH_4} \quad (2)$$

$$T_{DPCH_4} = T_{DPC_2H_4} \quad (3)$$

$$T_{DPCH_4} > T_{DPC_2H_4} \quad (4)$$

۵۵- اگر گرمای نهان تبخیر یک مایع ( $L$ ) را ثابت فرض کنیم، کدام عبارت، گزینه مناسبی برای فشار بخار مایع در شرایط دور از نقطه بحرانی است؟

$$\exp\left(\frac{L}{RT}\right) \quad (1)$$

$$\exp\left(-\frac{L}{RT}\right) \quad (2)$$

$$\exp\left(\frac{L}{RT^2}\right) \quad (3)$$

$$\exp\left(-\frac{L}{RT^2}\right) \quad (4)$$

۵۶- یک مخلوط هوا و بخار با رطوبت نسبی  $\phi$  و دمای  $T$  و فشار کل  $P$  وارد یک فرایند تهویه مطبوع می‌شود. مقدار جرم بخار آب ورودی به کل جرم هوا و بخار برابر کدام است؟ ( $P_g$  فشار بخار اشباع در دمای  $T$  است.)

$$\frac{0.622 \phi P_g}{P + 0.378 \phi P_g} \quad (1)$$

$$\frac{0.622 \phi P_g}{P - P_g} \quad (2)$$

$$\frac{0.622 \phi P_g}{P - 0.378 \phi P_g} \quad (3)$$

$$\frac{0.622 \phi P_g}{P + P_g} \quad (4)$$



۵۷- دو جسم جامد ۱ و ۲ با دماهای اولیه  $T_1$  و  $T_2$  به عنوان منابع (گرم و سرد) یک چرخه کارنو، به کار گرفته می‌شود. در نهایت دماهای این دو جسم به دمای تعادل می‌رسد. مقدار کار تولیدی این چرخه، کدام است؟ ( $T_2 > T_1$ ) و انرژی داخلی هر جسم از رابطه  $U = mcT$  پیروی می‌کند.  $m$  و  $c$  برای هر دو جسم یکسان و اعداد ثابت هستند.

$$(1) mc(T_2 + T_1 - 2\sqrt{T_1 T_2})$$

$$(2) mc(T_2 - T_1 - 2\sqrt{T_1 T_2})$$

$$(3) mc(T_2 + T_1 + 2\sqrt{T_1 T_2})$$

$$(4) mc(T_2 - T_1 + 2\sqrt{T_1 T_2})$$

۵۸- اگر برای یک سیستم، رابطه  $\left(\frac{\partial T}{\partial S}\right)_P = 0$  برقرار باشد. کدام گزینه در مورد این سیستم درست است؟ (سیستم تک مؤلفه‌ای با جرم ثابت است.)

(۱) ظرفیت گرمایی ویژه جسم صفر است.

(۲) ظرفیت گرمایی ویژه جسم  $\infty$  است.

(۳) ضریب انبساط حجمی جسم صفر است.

(۴) سیستم حاوی مایع سبک کولد است.

۵۹- دو صفحه خیلی بزرگ خاکستری و پخش‌کننده موازی در دمای  $T_1$  و  $T_2$  مفروض است. ( $T_1 > T_2$ ) ضرایب تشعشع دو سطح  $\epsilon_1 = \epsilon_2 = \epsilon$  می‌باشد. صفحه نازک سومی با همان ابعاد صفحه‌های ۱ و ۲ بین آن‌ها به صورت موازی قرار می‌گیرد. اگر ضریب تشعشع صفحه نازک در هر دو طرف  $\epsilon$  باشد، در حالت تعادل حرارتی و فقط با در نظر گرفتن انتقال حرارت تشعشعی، دمای صفحه سوم، کدام است؟

$$(1) \frac{1}{2}(T_1^4 - T_2^4)$$

$$(2) \frac{1}{4}(T_1^4 + T_2^4)$$

$$(3) \left(\frac{T_1^2 + T_2^2}{2}\right)^2$$

$$(4) \left(\frac{T_1^4 + T_2^4}{2}\right)^{\frac{1}{4}}$$

۶۰- برای جریان آرام داخل لوله با قطر  $D$ ، اگر سیال از نظر هیدرودینامیکی گسترش یافته باشد، در کدام حالت از نظر حرارتی نیز حتماً گسترش یافته است؟

$$(1) Pr < 1$$

$$(2) Pr > 1$$

$$(3) RePr < 5$$

$$(4) RePr > 5$$

۶۱- سیالی با دمای ۲۰ درجه سانتی گراد وارد یک لوله دما ثابت ۸۰ درجه سانتی گراد می شود. اگر دمای خروجی سیال از لوله ۶۰ درجه سانتی گراد باشد، درست ترین مقدار برای اختلاف دمای متوسط سیال و سطح  $(T_w - T_b)$  در رابطه سرد شدن نیوتن  $q = h(T_w - T_b)$ ، تقریباً چند درجه سانتی گراد است؟

(۱) ۲۰

(۲) ۳۶

(۳) ۴۰

(۴) ۶۰

۶۲- جسمی به شکل صفحه ای با طول و عرض بزرگ در دمای اولیه یکنواخت  $T_1$  قرار دارد. اگر یک طرف صفحه به طور ناگهانی در دمای  $T_0$  قرار گیرد، ۲ ثانیه طول می کشد تا در طرف دیگر صفحه حس شود. اگر ضخامت صفحه دو برابر شود، چند ثانیه طول می کشد تا در طرف دیگر صفحه حس شود؟

(۱) ۲

(۲) ۴

(۳) ۸

(۴) بستگی به ضریب پخش حرارت  $(\alpha)$  دارد.

۶۳- جریان سیال اطراف یک کره به قطر  $D$  را در نظر بگیرید. اگر سرعت جریان به سمت صفر میل کند، عدد نوسلت

$(Nu = \frac{hD}{k})$ ، به کدام عدد نزدیک تر است؟

(۱) صفر

(۲) ۰٫۵

(۳) ۱

(۴) ۲

۶۴- هوا با سرعت  $u_\infty$  و دمای  $T_\infty$  از روی یک صفحه افقی با دمای ثابت  $T_w$  جریان دارد. اگر طول صفحه از نظر فیزیکی بی نهایت شود  $(x \rightarrow \infty)$ ، آنگاه مقدار عدد نوسلت موضعی در  $x \rightarrow \infty$ ، کدام است؟

(۱) به بی نهایت میل می کند، چون دمای سیال و دیوار با هم مساوی می شوند.

(۲) به بی نهایت میل می کند، چون همه سیال در لایه مرزی به دمای دیوار می رسد.

(۳) به صفر میل می کند، چون سرعت جریان بسیار زیاد می شود.

(۴) به صفر میل می کند، چون ضخامت لایه مرزی حرارتی بی نهایت می شود.

۶۵- کدام معادله دیفرانسیل، بیانگر قانون بقای جرم برای جریان دوبعدی سیال تراکم پذیر با حجم مخصوص  $v$  و میدان

سرعت  $\vec{V}$  می باشد؟

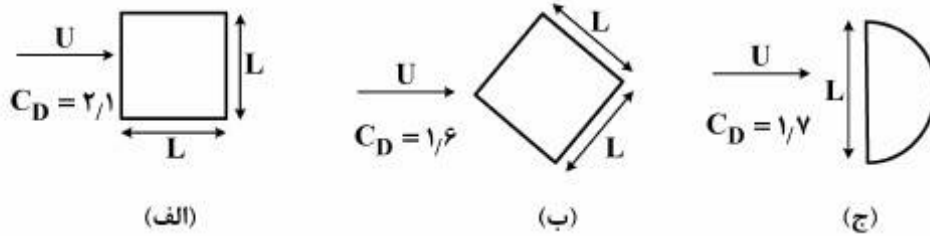
$$\frac{D \ln v}{Dt} = \vec{\nabla} \cdot \vec{V} \quad (1)$$

$$\frac{Dv}{Dt} = \vec{\nabla} \cdot \vec{V} \quad (2)$$

$$\frac{D \ln v}{Dt} = -\vec{\nabla} \cdot \vec{V} \quad (3)$$

$$\frac{Dv}{Dt} = -\vec{\nabla} \cdot \vec{V} \quad (4)$$

۶۶- جریان با سرعت  $U$  از روی میله‌هایی به طول بی‌نهایت و با مقاطع زیر عبور می‌کند. ضریب درگ هر شکل در کنار آن نوشته شده است. نیروی درگ کدام گزینه بیشتر است؟



(الف)

(ب)

(ج)

(۲) (ب)

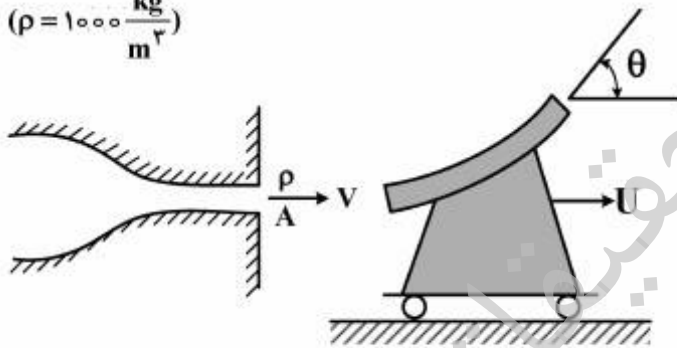
(۱) (الف)

(۴) هر سه دارای نیروی درگ یکسانی هستند

(۳) (ج)

۶۷- یک جت آب با سطح مقطع  $600 \text{ mm}^2$  و سرعت ثابت  $30 \frac{\text{m}}{\text{s}}$  مطابق شکل زیر به یک گاری برخورد می‌کند. سطح داخلی گاری، سیال را با زاویه  $\theta = 60^\circ$  منحرف می‌کند. نیروی افقی لازم برای اینکه گاری با سرعت ثابت  $U = 15 \frac{\text{m}}{\text{s}}$  حرکت کند؛ و سرعت مطلق سیال در خروجی گاری، کدام است؟

$$\left(\rho = 1000 \frac{\text{kg}}{\text{m}^3}\right)$$



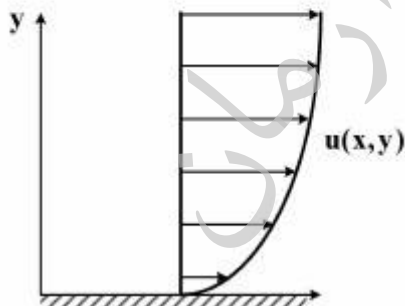
(۱)  $15\sqrt{3} \frac{\text{m}}{\text{s}}, 76.5 \text{ N}$

(۲)  $45 \frac{\text{m}}{\text{s}}, 76.5 \text{ N}$

(۳)  $15\sqrt{3} \frac{\text{m}}{\text{s}}, 67.5 \text{ N}$

(۴)  $45 \frac{\text{m}}{\text{s}}, 67.5 \text{ N}$

۶۸- اگر مؤلفه افقی سرعت یک جریان دو بعدی غیرقابل تراکم بر روی یک صفحه  $u = U\left(\frac{ry}{ax} - \frac{y^2}{a^2x^2}\right)$  باشد، مؤلفه عمودی سرعت جریان، کدام است؟



عمودی سرعت جریان، کدام است؟

(۱)  $U\left(\frac{ry}{ax} - \frac{ry^2}{a^2x^2}\right)$

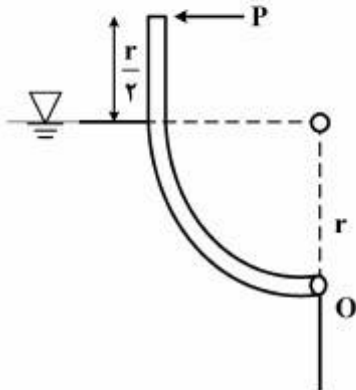
(۲)  $U\left(\frac{ry}{ax} - \frac{ry^2}{a^2x^2}\right)$

(۳)  $U\left(-\frac{ry}{ax} + \frac{ry^2}{a^2x^2}\right)$

(۴)  $U\left(\frac{r \ln\left(\frac{y}{x}\right)}{a} + \frac{ry}{a^2x}\right)$



۶۹- مقدار نیروی P برای متعادل نگه داشتن دریچه زیر با عرض w چقدر است؟ دریچه در نقطه O به تکیه‌گاه لولا شده و وزن مخصوص سیال پشت دریچه  $\gamma$  می‌باشد.



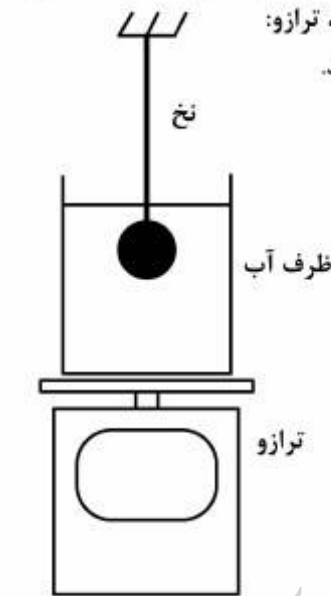
(۱)  $\frac{1}{2} \gamma r^2 w$

(۲)  $\frac{1}{9} \gamma r^2 w$

(۳)  $\frac{2}{9} \gamma r^2 w$

(۴)  $\frac{1}{3} \gamma r^2 w$

۷۰- ظرف پر از آبی را روی ترازو قرار می‌دهیم. پس از آنکه ترازو وزن آن را نشان داد، یک گوی کروی فولادی را به نخ می‌بندیم و آن را در حالی که انتهای نخ را در دست گرفته‌ایم به آرامی در آب فرو می‌بریم؛ سپس بدون آنکه گوی با کف ظرف تماس داشته باشد، صبر می‌کنیم تا به حالت تعادل برسد. در این حالت، ترازو:



(۱) بسته به حجم آب و گوی کروی، ممکن است وزن بیشتر یا کمتری را نشان دهد.

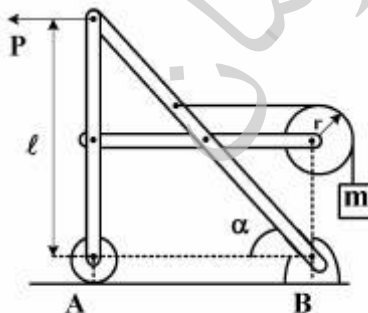
(۲) وزن بیشتری را نشان می‌دهد.

(۳) همان وزن قبلی را نشان می‌دهد.

(۴) وزن کمتری را نشان می‌دهد.

جامدات (استاتیک، مقاومت مصالح، طراحی اجزا):

۷۱- در شکل زیر، مقدار نیروی P برابر  $\frac{1}{4} mg$  می‌باشد. مؤلفه عمودی نیروی تکیه‌گاهی در B چند برابر mg است؟



( $r = \frac{l}{10}$ )

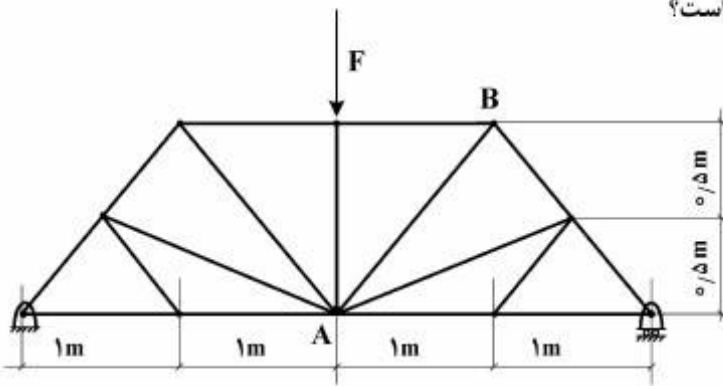
(۱)  $1 + \frac{2}{5} \tan \alpha$

(۲)  $1 + \frac{1}{5} \tan \alpha$

(۳)  $1 - \frac{1}{5} \tan \alpha$

(۴)  $1 - \frac{2}{5} \tan \alpha$

۷۲- در خرابای زیر، نیرو در عضو AB، چقدر است؟



(۱)  $\sqrt{2}F$

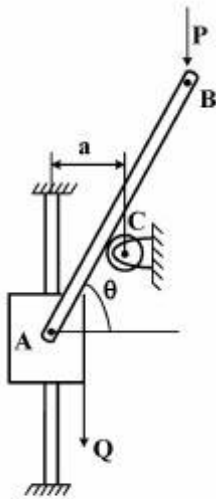
(۲)  $2\sqrt{2}F$

(۳)  $\frac{\sqrt{2}}{2}F$

(۴)  $(1+\sqrt{2})F$

۷۳- با صرف نظر کردن از اصطکاک لغزنده A و اثر اصطکاک و شعاع قرقره C، مقدار نیروی Q در شرایط تعادل استاتیکی،

کدام است؟ (طول میله AB برابر L فرض شود.)



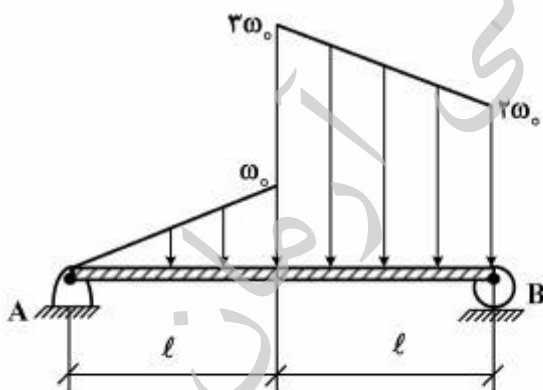
(۱)  $Q = P\left(\frac{L}{a}\cos^2\theta - 1\right)$

(۲)  $Q = P\left(\frac{L}{a}\cos^2\theta - 1\right)$

(۳)  $Q = P\left(\frac{L}{a}\cos^2\theta + 1\right)$

(۴)  $Q = P\left(\frac{L}{a}\cos^2\theta + 1\right)$

۷۴- عکس العمل‌های تکیه‌گاهی تیر در شکل زیر، چقدر است؟



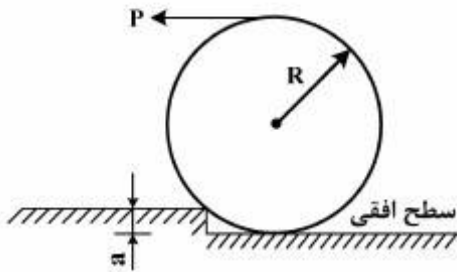
(۱)  $R_B = 3\omega_0 l, R_A = \omega_0 l$

(۲)  $R_B = \omega_0 l, R_A = 3\omega_0 l$

(۳)  $R_B = \omega_0 l, R_A = 2\omega_0 l$

(۴)  $R_B = 2\omega_0 l, R_A = \omega_0 l$

۷۵- حداقل ضریب اصطکاک بین استوانه‌ای به وزن  $W$  و شعاع  $R$  و پله‌ای به ارتفاع  $a$  چقدر باید باشد تا بتواند تحت اثر نیروی  $P$  از پله بالا برود؟



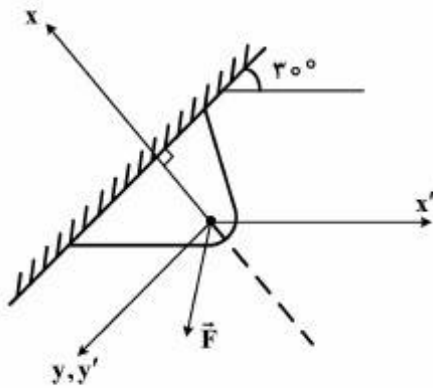
$$\mu = \frac{a}{R-a} \quad (1)$$

$$\mu = \frac{\sqrt{R^2 - (R-a)^2}}{R-a} \quad (2)$$

$$\mu = \frac{\sqrt{R^2 - (R-a)^2}}{2R-a} \quad (3)$$

$$\mu = \frac{R-a}{\sqrt{R^2 - (R-a)^2}} \quad (4)$$

۷۶- رابطه نیروی  $\vec{F}$  در سیستم مختصات متعامد  $xy$ ، به صورت  $\vec{F} = -20\hat{i} + 40\hat{j}$  N است. مؤلفه  $\vec{F}$  در راستای  $x'$  چند نیوتن است؟



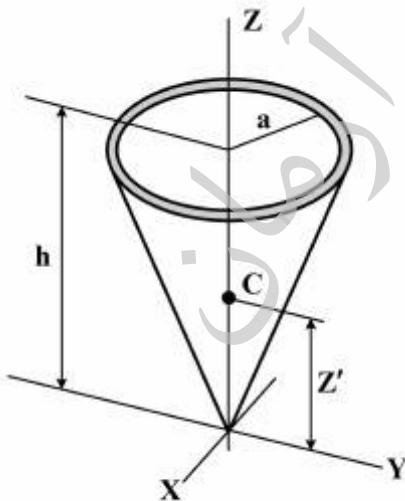
$$10\sqrt{3} - 20 \quad (1)$$

$$10 - 20\sqrt{5} \quad (2)$$

$$10 - 20\sqrt{3} \quad (3)$$

$$-10\sqrt{5} \quad (4)$$

۷۷- فاصله مرکز ثقل پوسته مخروطی بسیار نازک شکل زیر تا مبدأ مختصات چقدر است؟ (شدت جاذبه و توزیع جرم یکنواخت فرض شود)



$$\frac{h}{3} \quad (1)$$

$$\frac{h}{2} \quad (2)$$

$$\frac{2h}{3} \quad (3)$$

$$\frac{3h}{4} \quad (4)$$



۷۸- یک دیسک توپر به شعاع  $b$  با سرعت زاویه‌ای ثابت  $\omega$  دوران می‌کند. برای نقطه‌ای به فاصله  $r$  از مرکز، تنش شعاعی از رابطه  $\sigma_r = \frac{3+\nu}{8} \rho \omega^2 (b^2 - r^2)$  و تنش محیطی از رابطه  $\sigma_\theta = \frac{3+\nu}{8} \rho \omega^2 b^2 - \frac{1+3\nu}{8} \rho \omega^2 r^2$  به دست می‌آید. با توجه به این که اولین تسلیم در مرکز دیسک رخ می‌دهد. سرعت بحرانی  $\omega$  بر اساس معیار ترسکا چقدر است؟ تنش تسلیم ماده (جنس) دیسک را  $\sigma_y$  بگیرید.

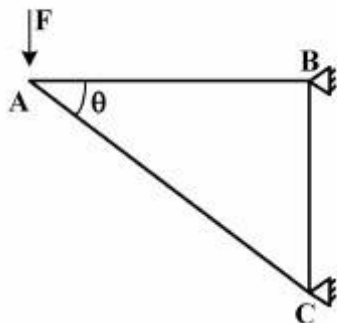
$$\omega = \frac{1}{b} \sqrt{\frac{2\sigma_y}{(3+\nu)\rho}} \quad (1)$$

$$\omega = \frac{1}{b} \sqrt{\frac{4\sigma_y}{(3+\nu)\rho}} \quad (2)$$

$$\omega = \frac{1}{b} \sqrt{\frac{8\sigma_y}{(3+\nu)\rho}} \quad (3)$$

$$\omega = \frac{1}{b} \sqrt{\frac{16\sigma_y}{(3+\nu)\rho}} \quad (4)$$

۷۹- برای عضو AC از خرابی زیر، تنش مجاز مشخصی وجود دارد. زاویه  $\theta$  به چه میزان انتخاب شود تا حجم عضو AC حداقل باشد؟ طول عضو AB ثابت و از پیش تعیین شده است.



۳۰ (۱)

۴۵ (۲)

۶۰ (۳)

۹۰ (۴)

۸۰- یک محور استوانه‌ای که از جنس ترد می‌باشد، تحت اثر نیروی محوری  $50$  کیلونیوتن و گشتاور پیچشی  $376$  نیوتن-متر قرار گرفته است. اگر قطر محور  $60$  میلی‌متر باشد، زاویه صفحه شکست نسبت به امتداد محور تقریباً چند درجه است؟

$$\sigma_\theta = \sigma_x \cos^2 \theta + \sigma_y \sin^2 \theta + 2\tau_{xy} \sin \theta \cos \theta$$

$$\tau_\theta = -(\sigma_x - \sigma_y) \sin \theta \cos \theta + \tau_{xy} (\cos^2 \theta - \sin^2 \theta)$$

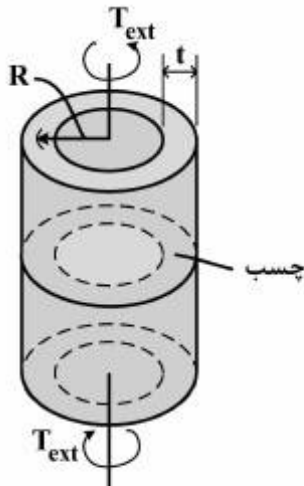
۹۰ (۱)

۶۷٫۵ (۲)

۴۵ (۳)

۲۲٫۵ (۴)

۸۱- شکل زیر آزمایشی را نشان می‌دهد که به منظور اندازه‌گیری استحکام برشی چسب مورد استفاده قرار می‌گیرد. در این آزمایش گشتاور پیچشی مطابق شکل به دو استوانه که با چسب مورد نظر بهم متصل شده‌اند، اعمال می‌شود. با فرض توزیع یکنواخت تنش برشی  $\tau$  در چسب، رابطه تنش برشی با گشتاور اعمالی، ضخامت و شعاع استوانه‌ها، کدام است؟



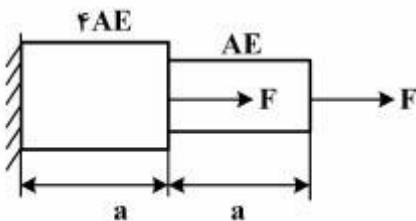
$$\tau = \frac{T_{ext}}{2\pi r^2 t} \quad (1)$$

$$\tau = \frac{2T_{ext}}{\pi r^2 t} \quad (2)$$

$$\tau = \frac{T_{ext}}{4\pi r^2 t} \quad (3)$$

$$\tau = \frac{T_{ext}}{\pi r^2 t} \quad (4)$$

۸۲- انرژی ذخیره شده در میله روبه‌رو، کدام است؟



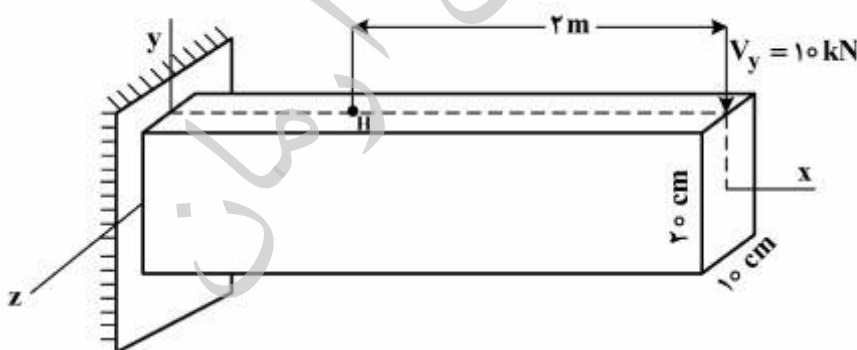
$$\frac{4F^2 a}{AE} \quad (1)$$

$$\frac{F^2 a}{AE} \quad (2)$$

$$\frac{F^2 a}{2AE} \quad (3)$$

$$\frac{2F^2 a}{AE} \quad (4)$$

۸۳- تیر یک سرگیردار زیر، تحت بار عرضی  $V_y = 10 \text{ kN}$  قرار دارد. به ترتیب از راست به چپ، بیشینه تنش عمودی و بیشینه تنش برشی در نقطه سطحی H از تیر، چند مگاپاسکال است؟



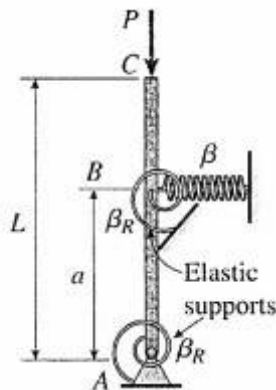
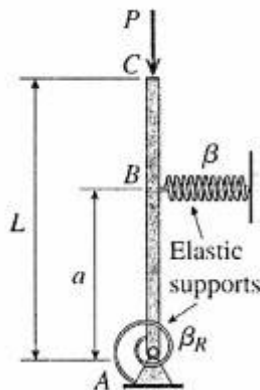
$$30,15 \quad (1)$$

$$50,25 \quad (2)$$

$$15,30 \quad (3)$$

$$25,50 \quad (4)$$

۸۴- در شکل‌های زیر میله ABC صلب فرض شده و دارای تکیه‌گاه‌های پینی و الاستیک می‌باشد. سختی فنر پیچشی  $\beta_R$  و سختی فنرهای طولی  $\beta$  می‌باشد. اگر بار بحرانی در شکل سمت چپ برابر  $P_{cr}$  باشد، بار بحرانی در شکل سمت راست کدام است؟ (در وضعیت نشان داده شده فنرها در شرایط بی‌بار می‌باشند).



$$P_{cr} + \frac{\beta_R}{L} \quad (1)$$

$$P_{cr} - \frac{\beta_R}{L} \quad (2)$$

$$P_{cr} - \frac{\sqrt{\beta_R}}{L} \quad (3)$$

$$P_{cr} + \frac{\sqrt{\beta_R}}{L} \quad (4)$$

۸۵- یک مخزن تحت فشار استوانه‌ای به قطر ۱/۵ متر در معرض فشار داخلی متغیر قرار دارد. فشار داخلی به‌طور پیوسته بین ۰/۸ تا ۴ مگاپاسکال تغییر می‌کند. با استفاده از معیار گودمن  $(\frac{\sigma_a}{S_e} + \frac{\sigma_m}{S_u} = \frac{1}{n})$ ، ضخامت جداره چند میلی‌متر انتخاب می‌شود؟ (مقاومت نهایی ۴۰۰ مگاپاسکال، تنش حد تحمل ۱۵۰ مگاپاسکال و فاکتور ایمنی ۲ فرض شود).

$$15 \quad (1)$$

$$25 \quad (2)$$

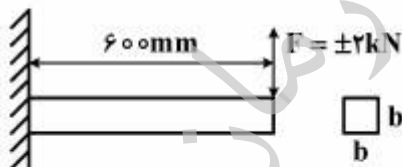
$$30 \quad (3)$$

$$20 \quad (4)$$

۸۶- در شکل زیر، یک تیر با سطح مقطع مربع شکل دارای طول ۰/۶ متر بوده و نیروی عرضی کاملاً دوطرفه در انتهای آن برابر  $\pm 2 \text{ kN}$  وارد می‌شود. اگر هدف این باشد که تیر فوق  $10^4$  سیکل کار کند، ابعاد سطح مقطع این تیر (b) باید چند میلی‌متر انتخاب شود؟  $S_{ut} = 770 \text{ MPa}$ ،  $S_y = 420 \text{ MPa}$ ، ضریب تصحیح سطح  $k_a = 0.48$ ، ضریب اندازه  $k_b = 0.85$  و  $S_e = 0.5 S_{ut}$

$$S_e = 0.5 S_{ut} \text{ و } k_b = 0.85$$

$$f = 0.83, a = \frac{(f S_{ut})^2}{S_e}, b = -\frac{1}{3} \log\left(\frac{f S_{ut}}{S_e}\right), S_f = a N^b$$



$$26 \quad (1)$$

$$25 \quad (2)$$

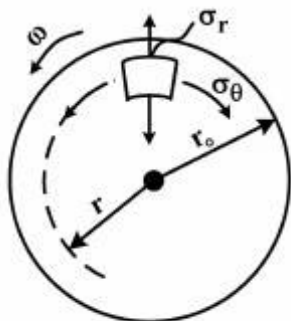
$$40 \quad (3)$$

$$46 \quad (4)$$

۸۷- مؤلفه‌های تنش شعاعی و محیطی وارد بر دیسک نازک توپر شکل زیر که با سرعت زاویه‌ای  $\omega$  در حال دوران است، از روابط زیر به دست می‌آیند.

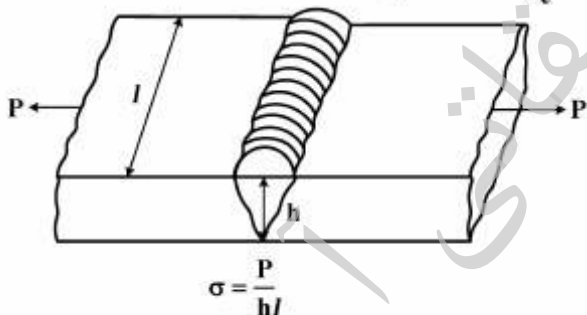
$$\sigma_r = \frac{3+\nu}{8} \rho \omega^2 (r_o^2 - r^2) , \sigma_\theta = \frac{\rho \omega^2}{8} [(3+\nu)r_o^2 - (1+3\nu)r^2]$$

که در آن  $\rho$  چگالی دیسک،  $\nu$  ضریب پواسون،  $r$  شعاع و  $r_o$  شعاع خارجی دیسک می‌باشند. در صورتی که تنش تسلیم ماده دیسک  $\sigma_y$  باشد، حداکثر سرعت زاویه‌ای دیسک طبق معیار تنش برشی حداکثر (ترسکا) چقدر خواهد بود؟



- (۱)  $\frac{1}{r_o} \sqrt{\frac{8\sigma_y}{(3+\nu)\rho}}$
- (۲)  $\frac{2}{r_o} \sqrt{\frac{\sigma_y}{(3+\nu)\rho}}$
- (۳)  $\frac{1}{r_o} \sqrt{\frac{8\sigma_y}{(1+3\nu)\rho}}$
- (۴)  $\frac{2}{r_o} \sqrt{\frac{\sigma_y}{(1+3\nu)\rho}}$

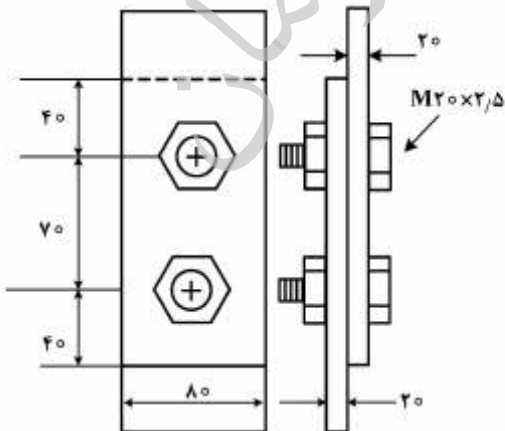
۸۸- شکل زیر یک جوش لب‌به‌لب را نشان می‌دهد که تحت بارگذاری متناوب محوری قرار گرفته است. بار نوسانی بین ۲۰ تا ۱۰۰ کیلونیوتن تغییر می‌کند. ضخامت ورق‌ها ۲۰ میلی‌متر بوده و از الکترود E6019 با تنش نهایی ۴۲۷ مگاپاسکال استفاده شده است. تنش حد تحمل تصحیح شده ۸۱/۸۲ مگاپاسکال می‌باشد. طول جوش مورد نیاز بر حسب میلی‌متر چقدر است؟ از معیار گودمن به فرم  $\sigma_m + \frac{S_u}{S_e} \sigma_a$  با ضریب ایمنی ۲/۵ استفاده نمایید.



- (۱) ۵۰
- (۲) ۵۹
- (۳) ۷۰
- (۴) ۷۹

۸۹- اگر اتصال زیر تحت نیرو در راستای اعضا قرار گیرد، کدام پدیده در واماندگی اتصال و فرایند طراحی نقش مهم‌تری دارد؟ ابعاد بر حسب mm داده شده‌اند.

$S_y = 420 \text{ MPa}$  پیچ ،  $S_y = 490 \text{ MPa}$  اعضا

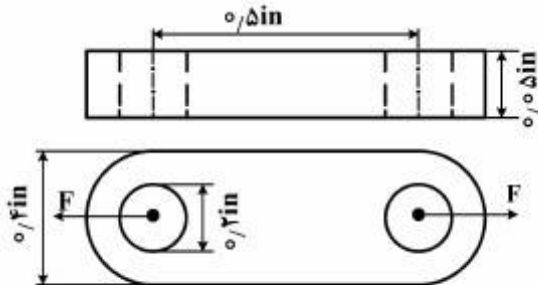


- (۱) لهیدگی در پیچ‌ها
- (۲) لهیدگی در اعضا
- (۳) برش در پیچ‌ها
- (۴) کشش در اعضا



۹۰- قطعه زیر توسط دو عدد پین که از سوراخ‌ها عبور می‌کند، تحت بار محوری (کشش - صفر) واقع شده است. مطابق معیار اصلاح شده گودمن حداکثر نیروی کششی چند lb باشد تا قطعه عمر بی‌نهایت داشته باشد؟

$S_y = 110 \text{ ksi}$  ,  $k_f = 2$  و  $S_e = 50 \text{ ksi}$  ,  $S_{ut} = 150 \text{ ksi}$



۱۱۴/۵ (۱)

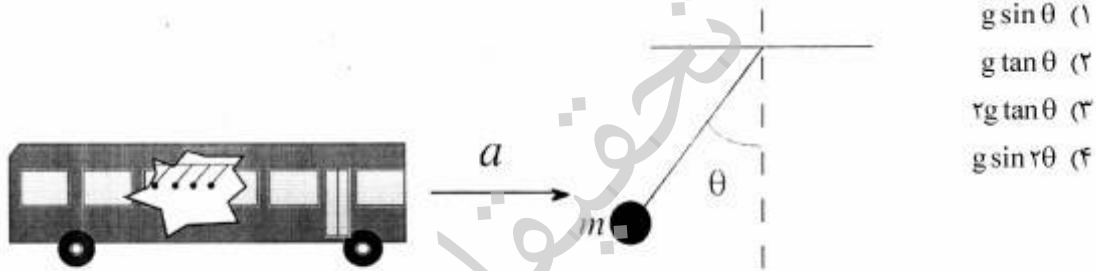
۱۸۷/۵ (۲)

۲۲۹ (۳)

۳۷۵ (۴)

دینامیک و ارتعاشات (دینامیک، ارتعاشات، دینامیک ماشین، کنترل):

۹۱- اتوبوسی با شتاب ثابت شروع به حرکت می‌کند. دستگیره‌های مسافران که در شکل نشان داده شده است: از خط عمود به اندازه  $\theta$  تمایل پیدا می‌کنند. با فرض مدل جرم نقطه‌ای برای دستگیره‌ها که با ریسمان بدون جرمی آویزان هستند، شتاب اتوبوس چقدر است؟ (g شتاب گرانش زمین است)



$g \sin \theta$  (۱)

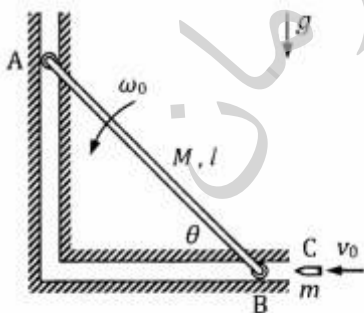
$g \tan \theta$  (۲)

$\gamma g \tan \theta$  (۳)

$g \sin \gamma \theta$  (۴)

۹۲- دو سر میله باریک و صلب به طول  $l$  و جرم  $M$  به کمک دو غلتک A و B با جرم‌های ناچیز، در شیارهای بدون اصطکاک حرکت می‌کنند. در لحظه  $\theta = 45^\circ$  سرعت زاویه‌ای میله  $\omega_0$  (پادساعت‌گرد است)، گلوله C به جرم  $m = 0.5M$  با سرعت  $(\sqrt{50})\omega_0$  به غلتک B برخورد می‌کند و به آن می‌چسبد. سرعت زاویه‌ای میله درست

در لحظه پس از برخورد، کدام است؟ ( برای میله  $\bar{I} = \frac{Ml^2}{12}$  )



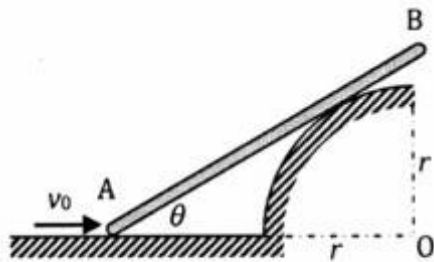
(۱)  $\frac{1}{4} \omega_0$  (پادساعت‌گرد)

(۲)  $\frac{1}{4} \omega_0$  (ساعت‌گرد)

(۳)  $\frac{10}{43} \omega_0$  (پادساعت‌گرد)

(۴)  $\frac{3}{40} \omega_0$  (ساعت‌گرد)

۹۳- ابتدای A از میله صلب و باریک AB روی زمین با سرعت ثابت  $v_0$  به سمت راست حرکت می‌کند و میله مطابق شکل، به سطح استوانه‌ای به شعاع  $r$  و مرکز O تکیه دارد. در لحظه  $\theta = 30^\circ$ ، سرعت زاویه‌ای میله AB، کدام است؟



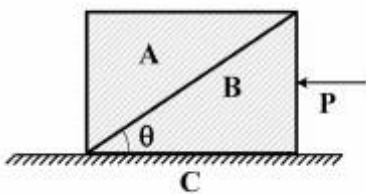
$$\frac{\sqrt{3}}{2} \frac{v_0}{r} \quad (1)$$

$$\frac{\sqrt{3}}{6} \frac{v_0}{r} \quad (2)$$

$$\frac{1}{6} \frac{v_0}{r} \quad (3)$$

$$\frac{1}{2} \frac{v_0}{r} \quad (4)$$

۹۴- بلوک‌های A و B هر کدام دارای جرم  $m$  هستند. بیشترین نیروی افقی  $P$  که می‌توان به بلوک B وارد کرد تا بلوک A به بالای بلوک لغزد، کدام است؟ ضریب اصطکاک ساکن بین بلوک‌های A و B،  $\mu_s$  است. از اصطکاک ما بین بلوک B و سطح C صرف‌نظر کنید.



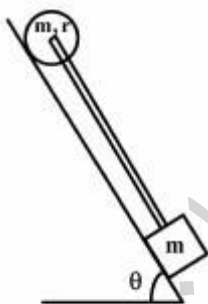
$$P = \frac{1}{2} mg \left( \frac{\sin \theta + \mu_s \cos \theta}{\cos \theta - \mu_s \sin \theta} \right) \quad (1)$$

$$P = 2mg \mu_s \tan \theta \quad (2)$$

$$P = \frac{2mg}{\cos \theta - \mu_s \sin \theta} \quad (3)$$

$$P = 2mg \left( \frac{\sin \theta + \mu_s \cos \theta}{\cos \theta - \mu_s \sin \theta} \right) \quad (4)$$

۹۵- یک دیسک و یک جرم متمرکز به وسیله یک میله صلب بدون جرم به هم وصل شده‌اند. دیسک بر روی سطح شیب‌دار با ضریب اصطکاک  $\mu$  حرکت بدون لغزش دارد.  $\mu$  چقدر باشد تا به میله نیرویی وارد نشود؟



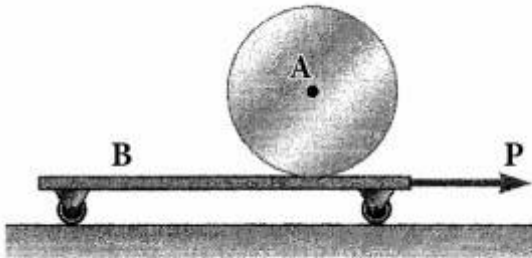
$$\frac{1}{4} \tan \theta \quad (1)$$

$$\frac{1}{3} \tan \theta \quad (2)$$

$$\frac{1}{2} \tan \theta \quad (3)$$

$$\frac{2}{3} \tan \theta \quad (4)$$

۹۶- استوانه‌ای به شعاع  $r$  و جرم  $m_A$  و  $\bar{I} = \frac{m_A r^2}{2}$  روی تخته‌ای به جرم  $m_B$  در حالت سکون قرار دارد. اگر نیروی ثابت  $P$  به مدت  $t$  ثانیه مطابق شکل بر تخته اعمال شود، سرعت جرم  $B$  به چه مقداری خواهد رسید؟ حرکت استوانه روی تخته را بدون لغزش در نظر بگیرید و از اصطکاک چرخ‌های کوچک تخته صرف‌نظر کنید.



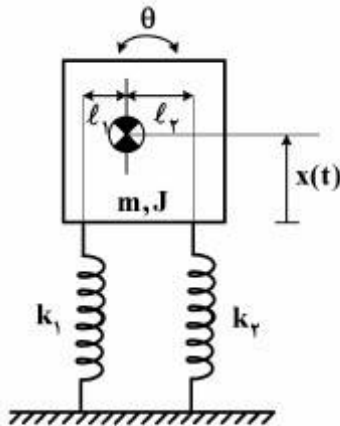
$$v_B = \frac{rPt}{m_A + 2m_B} \quad (1)$$

$$v_B = \frac{Pt}{m_A + 2m_B} \quad (2)$$

$$v_B = \frac{Pt}{2m_A + m_B} \quad (3)$$

$$v_B = \frac{rPt}{2m_A + m_B} \quad (4)$$

۹۷- در سیستم زیر چنانچه  $I_1 = 2I_2$  باشد، برای غیرکوپله کردن حرکات انتقالی  $x$  و زاویه‌ای  $\theta$ ، ضریب سختی فنر  $k_2$  چند برابر ضریب سختی فنر  $k_1$  باید باشد؟



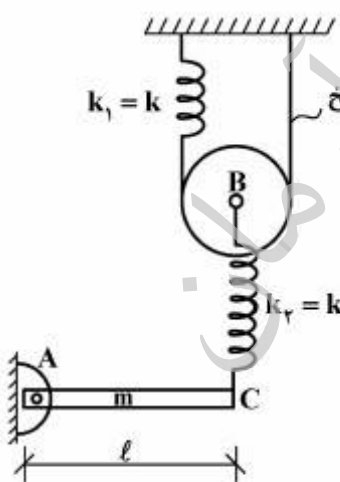
$$\frac{1}{4} \quad (1)$$

$$\frac{1}{2} \quad (2)$$

$$2 \quad (3)$$

$$4 \quad (4)$$

۹۸- غلتک بدون جرم و با شعاع  $R$  روی نخ بدون جرم غلتش ناب دارد. اگر مرکز غلتک با فنر  $k_2$  به نقطه  $C$  تیر صلب بکنواخت به جرم  $m$  متصل باشد، فرکانس طبیعی سیستم کدام است؟ (تیر در نقطه  $A$  لولاشده است)



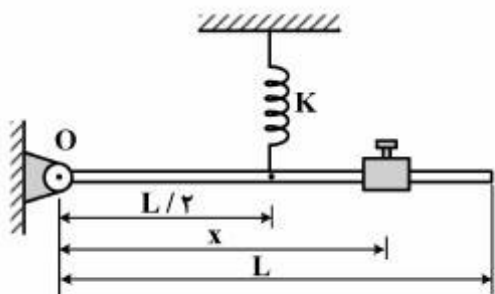
$$\sqrt{\frac{12k}{5m}} \quad (1)$$

$$\sqrt{\frac{3k}{2m}} \quad (2)$$

$$\sqrt{\frac{6k}{m}} \quad (3)$$

$$\sqrt{\frac{4k}{5m}} \quad (4)$$

۹۹- میله باریک و یکنواخت شکل زیر، افقی و در تعادل است. جرم میله  $m$  می باشد. اگر بخواهیم سیستم حول موقعیت تعادلش با پیوند ۱ ثانیه نوسانات کوچکی داشته باشد، فاصله  $x$  برای لغزنده چقدر باید تنظیم شود؟ (لغزنده کوچک و به جرم  $m$  فرض شود).



$$(1) \frac{L}{\sqrt{\frac{K}{16\pi^2 m} + \frac{1}{3}}}$$

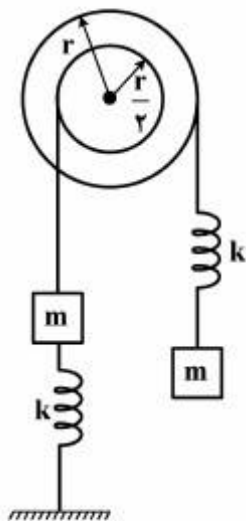
$$(2) \frac{L}{4\pi} \sqrt{\frac{K}{m}}$$

$$(3) L \sqrt{\frac{K}{16\pi^2 m} + \frac{1}{3}}$$

$$(4) L \sqrt{\frac{K}{16\pi^2 m} - \frac{1}{3}}$$

۱۰۰- اگر  $m = 1 \text{ kg}$  و  $k = 4 \text{ N/m}$  باشد، فرکانس های طبیعی سیستم روبه‌رو، چند رادیان بر ثانیه می باشد؟ (ممان

اینرسی فرقه حول محور آن،  $\frac{mr^2}{2}$  فرض شود).



$$(1) \frac{\sqrt{13} \pm 2}{3}$$

$$(2) \frac{4 \pm \sqrt{13}}{3}$$

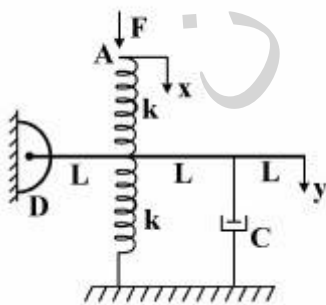
$$(3) 2\sqrt{\frac{4 \pm \sqrt{13}}{3}}$$

$$(4) 2\sqrt{\frac{\sqrt{13} \pm 2}{3}}$$

۱۰۱- تابع تبدیل سیستم روبه‌رو، برای دو حالت زیر، کدام است؟ خروجی سیستم  $y$ ،  $k = 3$  و  $C = \frac{2}{3}$  می باشد.

الف: اگر ورودی سیستم فقط نیروی  $F$  باشد. (در نقطه A)

ب: اگر ورودی سیستم فقط جابه‌جایی  $x$  باشد. (در نقطه A)



(1) الف:  $G(s) = \frac{1}{1+2s}$ ، ب:  $G(s) = \frac{1}{1+2s}$

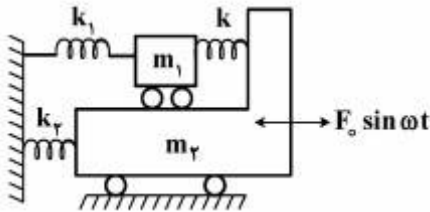
(2) الف:  $G(s) = \frac{1}{1+2s}$ ، ب:  $G(s) = \frac{3}{2+s}$

(3) الف:  $G(s) = \frac{1}{1+2s}$ ، ب:  $G(s) = \frac{1/5}{1+s}$

(4) الف:  $G(s) = \frac{1}{1+s}$ ، ب:  $G(s) = \frac{3}{2+s}$



۱۰۲- معادله حرکت سیستم روبه‌رو، کدام است؟



$$m_1 \ddot{x}_1 + (k_1 + k)x_1 - kx_2 = 0$$

$$m_2 \ddot{x}_2 - kx_1 + (k_2 + k)x_2 = F_0 \sin(\omega t) \quad (1)$$

$$m_1 \ddot{x}_1 + (k_1 - k)x_1 + kx_2 = 0$$

$$m_2 \ddot{x}_2 + kx_1 + (k_2 - k)x_2 = F_0 \sin \omega t \quad (2)$$

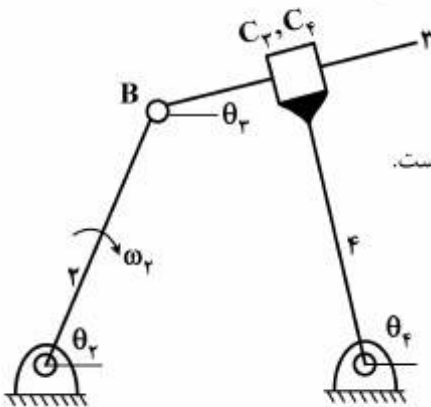
$$m_1 \ddot{x}_1 + k_1 x_1 + k_2 x_2 = 0$$

$$m_2 \ddot{x}_2 + k_2 x_1 + (k_2 + k_1)x_2 = F_0 \sin \omega t \quad (3)$$

$$(m_1 + m_2) \ddot{x}_1 + (k_1 + k_2)x_1 - kx_2 = 0$$

$$(m_1 - m_2) \ddot{x}_2 + (k)x_1 - (k_1 + k)x_2 = F_0 \sin \omega t \quad (4)$$

۱۰۳- برای اهرم بندنی لنگ - لغزنده معکوس زیر  $(\omega_2 = \omega_1)$ ، گزینه درست کدام است؟



$$r_2 \omega_2 e^{i\theta_2} + r_3 \omega_3 e^{i\theta_3} = r_3 \omega_3 e^{i\theta_3} \quad (1)$$

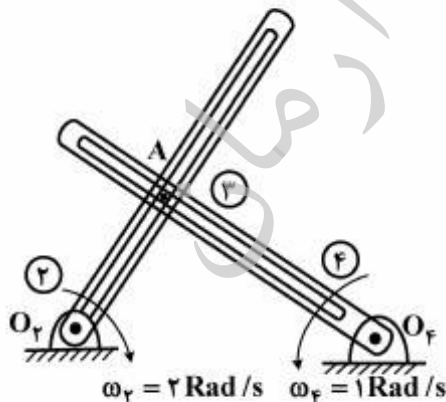
$$V_B + V_{C_x/B} = V_{C_y} + V_{C_x/C_y} \quad (2)$$

(3) حل ترسیمی (رسم کثیرالاضلاع) ممکن نیست زیرا نقطه کمکی نیاز است.

(4) حل محاسباتی (تحلیلی) ممکن نیست زیرا اهرم رابط متغیر است.

۱۰۴- مکانیزم زیر از دو میله شیاردار ۲ و ۴ و یک پین A که بین دو شیار قرار دارد، تشکیل شده است. اگر میله‌های ۲ و ۴ برهم عمود باشند، و مقادیر  $\omega_2$  و  $\omega_4$  مطابق شکل داده شده باشد. سرعت خطی پین چند سانتی‌متر بر ثانیه بوده

و جهت آن کدام است؟ ( $AO_4 = 3\text{ cm}$  و  $AO_2 = 2\text{ cm}$ )



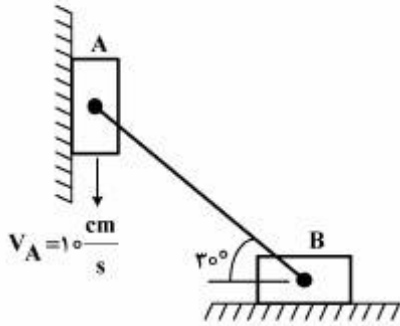
(1) ۵ (تقریباً در جهت افق)

(2) ۴ (عمود بر میله ۲)

(3) ۳ (عمود بر میله ۴)

(4) ۵ (تقریباً به طرف پایین)

۱۰۵- در مکانیزم روبه‌رو، شتاب لغزنده A باید چند  $\frac{cm}{s^2}$  باشد تا شتاب لغزنده B صفر شود؟ سرعت لغزنده A برابر



$10 \frac{cm}{s}$  به سمت پایین است. ( $AB = 5 \text{ cm}$ )

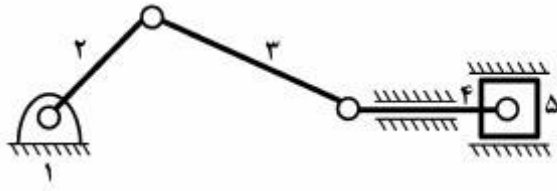
(۱)  $\frac{160}{3}$  (به سمت بالا)

(۲)  $\frac{80}{9}$  (به سمت پایین)

(۳)  $\frac{160}{3}$  (به سمت پایین)

(۴)  $\frac{80}{9}$  (به سمت بالا)

۱۰۶- مکانیزم روبه‌رو، چند درجه آزادی دارد؟



(۱) دو

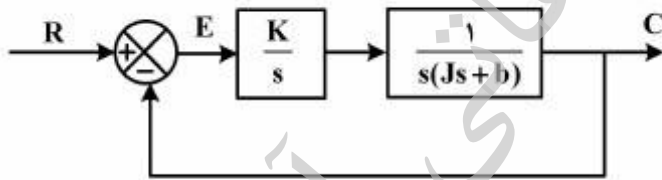
(۲) یک و نیم

(۳) یک

(۴) صفر

۱۰۷- نمودار جعبه‌ای یک سیستم به شکل زیر است. تابع تبدیل حلقه‌بسته این سیستم و خطای حالت ماندگار آن به

ورودی شیب  $R(s) = \frac{1}{s^2}$ ، کدام است؟



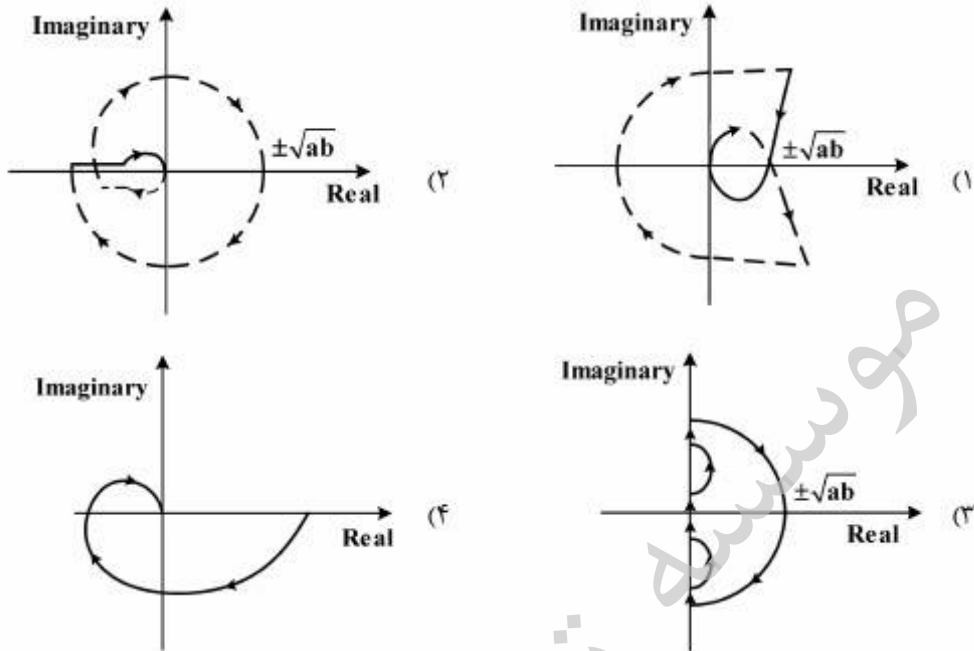
(۱)  $\frac{K}{s^2(Js+b)-K}$  - صفر

(۲)  $\frac{K}{s^2(Js+b)+K}$  - صفر

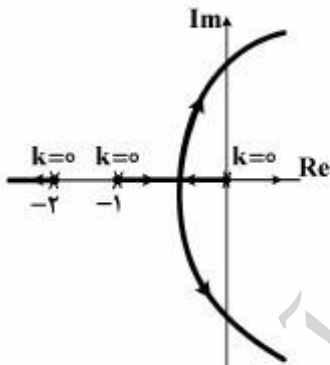
(۳)  $\frac{K}{s^2(Js+b)-K}$  - بی‌نهایت

(۴)  $\frac{K}{s^2(Js+b)+K}$  - بی‌نهایت

۱۰۸- دیاگرام نایکوئیست تابع تبدیل  $GH(s) = \frac{s-a}{s(s+b)}$  کدام است؟  $a, b > 0$

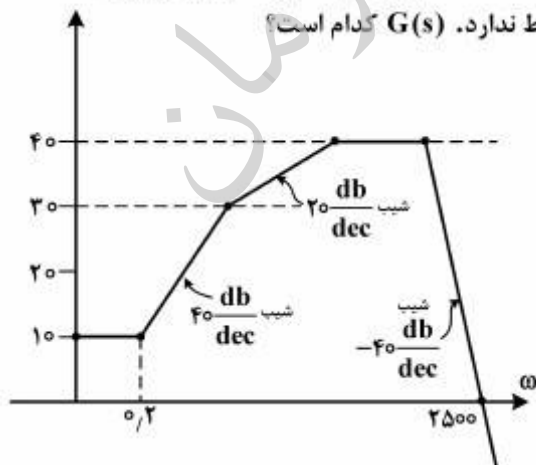


۱۰۹- مکان هندسی ریشه‌های یک سیستم کنترل با فیدبک واحد در شکل زیر، ترسیم شده است. حد برای پایداری سیستم و فرکانس پاسخ دائمی سینوسی در این سیستم، کدام است؟



- (۱)  $\omega = \sqrt{6} \text{ rad/s}$   $k = 6$
- (۲)  $\omega = \sqrt{3} \text{ rad/s}$   $k = 3$
- (۳)  $\omega = 1 \text{ rad/s}$   $k = 2$
- (۴)  $\omega = \sqrt{2} \text{ rad/s}$   $k = 6$

۱۱۰- شکل زیر، نمایش تقریبی مجانب‌های دیاگرام بود (Bode diagram) برای سیستمی با تابع تبدیل  $G(s)$  است که هیچ قطب و صفری در نیم‌صفحه سمت راست صفحه مختلط ندارد.  $G(s)$  کدام است؟



- (۱)  $\frac{3/16(1+\Delta s)^2}{(1+1/5\Delta s)(1+0/5\Delta s)(1+0/000\Delta s)^2}$
- (۲)  $\frac{4/7(1+0/2s)^2}{(1+3/2s)(1+22s)(1+2500s)^2}$
- (۳)  $\frac{94/6(1+0/2s)^2}{(1+s)(1+\Delta s)(1+\Delta 0s)^2}$
- (۴)  $\frac{2/72(1+s)(1+2s)}{(1+3/2s)(1+0/5\Delta s)(1+2/2s)}$

ساخت و تولید (ماشین ابزار، قالب پرس، علم مواد، ماشین‌های کنترل عددی، اندازه‌گیری، تولید مخصوص، هیدرولیک و نیوماتیک، مدیریت تولید):

۱۱۱- عوامل اصلی ایجاد لبه انباشته در تراش فولادهای کربنی، کدام است؟

- (۱) سرعت برش زیاد و زاویه براده کوچک  
 (۲) سرعت برش زیاد و زاویه براده بزرگ  
 (۳) سرعت برش کم و زاویه براده کوچک  
 (۴) سرعت برش کم و زاویه براده بزرگ

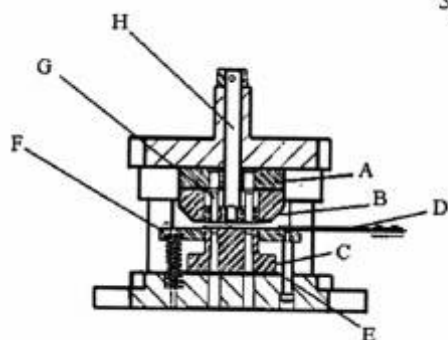
۱۱۲- به منظور درگیری صحیح دو چرخ‌دنده ساده، لازم است:

- (۱) ضخامت یکسان داشته باشند.  
 (۲) دو چرخ‌دنده مدول یکسان داشته باشند.  
 (۳) شماره مدول آن‌ها یکسان باشد.  
 (۴) مدول و شماره مدول آن‌ها یکسان باشد.

۱۱۳- انرژی مخصوص تراش، به کدام پارامتر یا پارامترها وابسته است؟

- (۱) جنس ماده، ضریب اصطکاک بین ابزار و قطعه کار  
 (۲) جنس ماده و ضخامت براده  
 (۳) جنس ماده  
 (۴) همه موارد

۱۱۴- در قالب زیر، گزینه صحیح‌تر را انتخاب نمایید؟

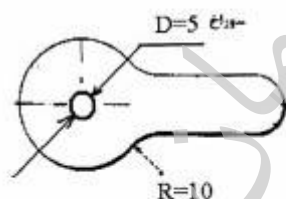


- (۱) قطعه H سنبه سوراخ‌زنی و جنس آن فولاد ابزار است.  
 (۲) قطعه H بیرون‌انداز و قطعه G سنبه سوراخ‌زنی است.  
 (۳) قطعه A پشت‌بند قالب و جنس آن فولاد ابزار است.  
 (۴) قطعه E سنبه سوراخ‌زنی و جنس آن فولاد ابزار است.

۱۱۵- نیروی لازم برای پانچ سوراخی به قطر ۲۵ میلی‌متر در یک ورق به ضخامت ۳/۲ میلی‌متر از جنس تیتانیوم - آلومینیوم Ti-6Al-4V در درجه حرارت اتاق، چند مگانیوتن است؟ میزان حداکثر استحکام کششی  $\sigma_{UTS}$  برای این ماده، معادل یک گیگاپاسکال است.

- (۱) ۰/۱۲۳  
 (۲) ۰/۱۷۶  
 (۳) ۰/۲۳۵  
 (۴) ۰/۲۵۱

۱۱۶- شکل زیر بعضی از ابعاد اسمی یک کلید را نشان می‌دهد که توسط یک قالب برش ساخته شده است. در رابطه با



طراحی قالب برش برای تولید این کلید، گزینه صحیح، کدام است؟

- (۱) قطر سنبه سوراخ‌زنی برای D، بیش‌تر از ۵ میلی‌متر است.  
 (۲) قطر سنبه سوراخ‌زنی برای D، بیش‌تر از ۶ میلی‌متر است.  
 (۳) شعاع R در ماتریس گرده‌زنی، بیش‌تر از ۱۰ میلی‌متر است.  
 (۴) شعاع R در ماتریس گرده‌زنی، مساوی ۱۰ میلی‌متر است.

۱۱۷- در مورد چدن‌ها، گزینه درست، کدام است؟

- (۱) در چدن سفید قسمت اعظم کربن، تشکیل کاربید آهن می‌دهد.  
 (۲) چدن نشکن از چدن سفید تحت عملیات حرارتی گرافیتی کردن تولید می‌شود.  
 (۳) چدن چکش‌خوار از چدن سفید با افزودن منیزیم تولید می‌شود.  
 (۴) چدن سفید خاصیت میرایی ارتعاشات دارد.



۱۱۸- در مورد نقش مرزدانه‌ها، گزینه درست کدام است؟

- (۱) مرزدانه‌ها، نقش اصلی را در پارگی‌های حاصل از خزش دارند.
- (۲) مرزدانه‌ها، سبب افزایش هدایت الکتریکی و حرارتی می‌شوند.
- (۳) مرزدانه‌ها، سبب افزایش استحکام در دماهای بالا می‌شوند.
- (۴) مرزدانه‌ها، فصل مشترک دو دانه مجاور در یک ماده تک کریستال می‌باشند.

۱۱۹- جهت حرکت از نقطه  $A(0, 0)$  به نقطه  $B(10, 20)$ ، اگر سرعت پیشروی ابزار در برنامه  $NC$   $F = 50 \frac{mm}{min}$  باشد،

سرعت پیشروی ابزار در جهت  $x$ ، چند میلی‌متر بر دقیقه خواهد بود؟

- (۱) ۲/۵
- (۲) ۵
- (۳) ۲۰
- (۴) ۲۲/۳۷

۱۲۰- در برنامه ماشین‌های کنترل عددی:

- (۱) کد M30 پایان برنامه اصلی و فرعی و کد M02 تنها پایان برنامه اصلی است.
- (۲) کد M02 پایان برنامه اصلی و فرعی و کد M30 تنها پایان برنامه اصلی است.
- (۳) کد M02 به معنای پایان برنامه و کد M30 به معنای پایان برنامه فرعی است.
- (۴) کدهای M02 و M30 هرکدام اعلان پایان برنامه اصلی و با شرایط متفاوت هستند.

۱۲۱- یک کمیت فیزیکی  $A$ ، از حاصل ضرب توانی کمیت‌های  $B$  و  $C$  به صورت  $A = B^m C^n$  به دست می‌آید. در صورتی که

خطای نسبی (Relative Error) کمیت‌های  $B$  و  $C$  به ترتیب با  $E_B$  و  $E_C$  نمایش داده شود، خطای نسبی کمیت  $A$  چه مقدار خواهد بود؟

- (۱)  $E_A = (E_B)^m + (E_C)^n$
- (۲)  $E_A = (E_B)^m \times (E_C)^n$
- (۳)  $E_A = mE_B + nE_C$
- (۴)  $E_A = mE_B + nE_C$

۱۲۲- نتایج اندازه‌گیری طول تعداد زیادی پیچ که به روش یکسان تولید شده‌اند به صورت زیر داده شده است:

میانگین طول: ۲۵mm، انحراف معیار: ۰/۱mm

در این صورت طول پیچ‌ها با احتمال ۹۵ درصد، چند mm خواهد بود؟

- (۱)  $25.0 \pm 0.2$
- (۲)  $25.0 \pm 0.3$
- (۳)  $25.0 \pm 0.1$
- (۴)  $25.0 \pm 0.4$

۱۲۳- به کدام دلیل، در فرایند ماشین‌کاری با وایرکات (WEDM)، قطبیت ابزار را منفی انتخاب می‌کنند؟

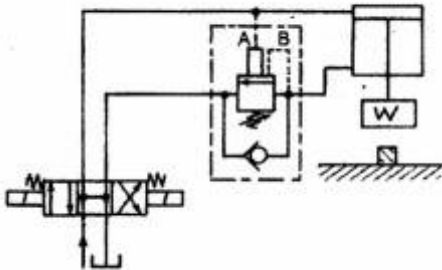
- (۱) خوردگی سیم کم‌تر شود.
- (۲) دقت و صافی سطح بیش‌تر شود.
- (۳) زبری سطح کم‌تر شود.
- (۴) نرخ باربرداری بیش‌تر شود.

۱۲۴- در ماشین کاری به روش تخلیه الکتریکی (اسپارک)، بالا رفتن عقربه آمپر متر بین ابزار و قطعه کار:

- (۱) می تواند نشانگر افزایش سرعت براده برداری باشد.
- (۲) می تواند نشانگر کاهش و یا افزایش سرعت براده برداری باشد.
- (۳) همواره افزایش سرعت براده برداری را نشان می دهد.
- (۴) همواره کاهش سرعت براده برداری را نشان می دهد.

۱۲۵- در شکل زیر، قطعه کار با نیروی  $100\text{ kN}$  شکل می پذیرد. اگر فشار تنظیمی برای مسیر A،  $5$  بار و برای مسیر B،

$15$  بار، سطح مقطع پیستون جک  $100\text{ cm}^2$ ، سطح مقطع محور جک  $50\text{ cm}^2$  و وزن قالب و متعلقات آن که به صورت عمودی نصب شده است،  $W = 5\text{ kN}$  باشد. به صورت ایدئال، فشار وارد بر سطح مقطع پیستون برای شکل گیری قطعه کار، حداقل چند بار است؟

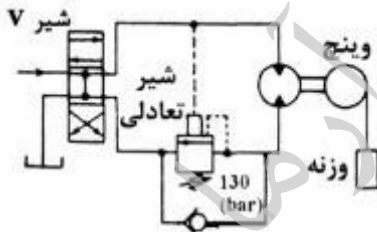


- (۱)  $115/5$  (۲)  $107/5$  (۳)  $100$  (۴)  $95$

۱۲۶- در ماشینی ۳ جک نیوماتیک هر یک با مساحت  $200\text{ cm}^2$  و کورس  $200\text{ mm}$  وجود دارند که هر یک ۲۰ مرتبه در دقیقه تحت بار کامل با فشار کاری  $6\text{ bar G}$  رفت و آمد می کند. کمپرسوری که هوای مورد نیاز این ماشین را تأمین می کند از نظر صنعتی تقریباً چه ظرفیتی (بر حسب لیتر بر دقیقه هوای آزاد) باید داشته باشد؟

- (۱)  $240$  (۲)  $480$  (۳)  $2010$  (۴)  $6700$

۱۲۷- در شکل زیر، برای متعادل نگه داشتن وزنه باید فشار شیر تعادلی حداقل روی  $100$  بار تنظیم گردد. اگر سیستم فاقد هرگونه اصطکاک باشد و وزنه در حالت موازی شیر V روبه پایین حرکت نماید، بلافاصله پس از انتخاب حالت وسط شیر V، چه اتفاقی رخ می دهد؟



- (۱) سرعت وزنه با شتاب  $2/3g$  کاهش می یابد.
- (۲) سرعت وزنه با شتاب  $g$  کاهش می یابد.
- (۳) سرعت وزنه با شتاب  $0/3g$  کاهش می یابد.
- (۴) وزنه بلافاصله متوقف می شود.

۱۲۸- کدام ماده ساینده برای سنگ زنی فولاد و چدن، مناسب تر است؟

- (۱) الماس (۲) اکسید آلومینیوم (۳) کربورسیلیسیم (۴) CBN

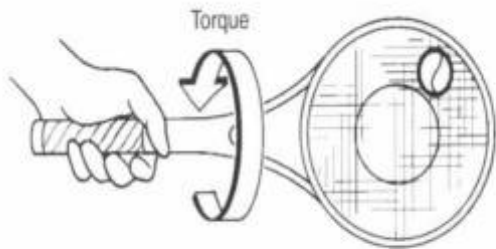
۱۲۹- کدام یک، درجه حرارت سینتر کردن را در متالورژی پودر بهتر تعیین می کند؟ ( $T_m$  درجه حرارت ذوب فلز است)

- (۱)  $0/5T_m$  (۲)  $0/6T_m$  (۳)  $0/8T_m$  (۴)  $T_m$

۱۳۰- در محاسبه نیروی ماکزیمم در عملیات آهنگری، از کدام مورد استفاده می شود؟

- (۱) تنش جریان متوسط (۲) تنش جریان نهایی (۳) مقاومت فشاری (۴) مقاومت کششی

۱۳۱- در ضربه تنیس، کدام عامل موجب افزایش گشتاور وارد بر مفصل مچ دست نمی‌شود؟

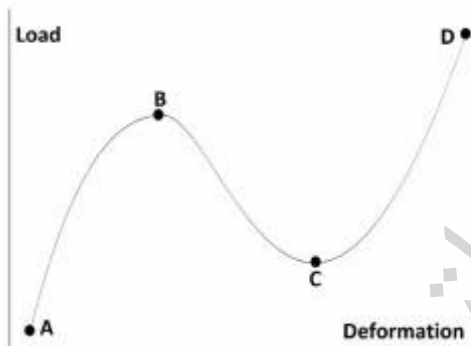


- (۱) سرعت برخورد توپ با راکت
- (۲) مدت زمان تماس توپ با راکت
- (۳) فاصله محل برخورد توپ و راکت از مرکز راکت
- (۴) هم انقباضی (Cocontraction) عضلات ساعد

۱۳۲- در استخوان‌ها و مهره‌ها، بخش محیطی از جنس استخوان cortical است که ضریب استحکام پیچشی و خمشی را افزایش می‌دهد. این ضریب استحکام، متناسب با توان چندم قطر است؟

- (۱) اول
- (۲) دوم
- (۳) سوم
- (۴) چهارم

۱۳۳- در شکل زیر، منحنی طول نیرو برای یک عضله نشان داده شده است. در کدام نقاط، نیرو در عضله منحصراً توسط بخش غیرفعال عضله، تحمل شده است.



- (۱) A , D
- (۲) A , B
- (۳) B , C
- (۴) C , D

۱۳۴- در مفاصل غضروفی، با برداشته شدن بار طبق مکانیزم اصطکاک: ذایی تراوشی (ویسینگ)، مایع سینوویال چه تغییری خواهد داشت؟

- (۱) از داخل غضروف به فضای بین مفصلی منتقل می‌شود.
- (۲) برای روانکاری به سایر مفاصل سطوح منتقل می‌شود.
- (۳) به داخل غضروف مکیده می‌شود.
- (۴) بر روی سطح مفصل خود باقی می‌ماند.

۱۳۵- انقباض در کدام عضله، حرکت scapular elevation را ایجاد نمی‌کند؟

- (۱) Levator scapulae
- (۲) Rhomboids
- (۳) Latissimus dorsi
- (۴) Upper trapezius

۱۳۶- کدام عضله، موجب downward rotators scapula می‌شود؟

- (۱) Serratus
- (۲) Subscapularis
- (۳) Pectoralis minor
- (۴) Lower trapezius

- ۱۳۷- انقباض کدام عضله، موجب فلکشن مفصل (Glenohumeral) می‌شود؟  
 (۱) Teres major  
 (۲) Latissimus dorsi  
 (۳) Posterior deltoid  
 (۴) Coracobrachialis
- ۱۳۸- کدام عضله، جزو گروه عضلات فلکسوری Hip نمی‌باشد؟  
 (۱) Psoas minor  
 (۲) Iliacus  
 (۳) Psoas major  
 (۴) Biceps femoris
- ۱۳۹- کدام عضله، موجب حرکت Femur Lateral نمی‌شود؟  
 (۱) Gluteus minimus  
 (۲) Quadratus femoris  
 (۳) Priformis  
 (۴) Gemelli
- ۱۴۰- کدام عضله، موجب حرکت Plantar flexion می‌شود؟  
 (۱) Extensor hallucis longus  
 (۲) Gastrocnemius  
 (۳) Tibialis anterior  
 (۴) Peroneus tertius
- ۱۴۱- سطح تماس در کدام اتصال، جزو گروه مفاصل condylar قرار دارد؟  
 (۱) اتصال استخوان ران و acetabulum در مفصل ران  
 (۲) اتصال استخوان ران و استخوان کشکک در مفصل زانو  
 (۳) اتصال استخوان ران و tibia در مفصل زانو  
 (۴) اتصال استخوان ران و fibula در مفصل زانو
- ۱۴۲- کدام عضله، جزو گروه عضلات cervical extensor است؟  
 (۱) External oblique  
 (۲) Splenius capitis  
 (۳) Mylohyoid  
 (۴) Rectus sheath
- ۱۴۳- عضله obliquus capitis inferior، در کدام دسته عضلات می‌باشد؟  
 (۱) Semispinalis group  
 (۲) Suboccipital muscles  
 (۳) Erector spinae  
 (۴) Hyoid muscles
- ۱۴۴- کدام عضله، موجب فلکشن گردن می‌گردد؟  
 (۱) Sternocleidomastoid  
 (۲) Multifidus  
 (۳) Interspinalis  
 (۴) Levator scapulae
- ۱۴۵- علت اصلی بیش‌تر بودن کرنش تسلیم در لیگامان در مقایسه با تاندون، چیست؟  
 (۱) بیش‌تر بودن درصد فیبرهای کلاژن  
 (۲) بیش‌تر بودن درصد فیبرهای الاستین  
 (۳) کم‌تر بودن درصد فیبرهای کلاژن  
 (۴) کم‌تر بودن درصد فیبرهای الاستین
- ۱۴۶- کدام مکانیزم، نقش عمده‌ای در تغذیه کندروسایت‌ها در غضروف مفصلی ندارد؟  
 (۱) بارگذاری متناوب روی مفصل  
 (۲) دیفیوژن مایع در داخل بافت  
 (۳) خون‌رسانی  
 (۴) فرمان عصبی
- ۱۴۷- اصلی‌ترین عاملی که موجب می‌شود در تحلیل فعالیت‌های روزمره فرد، نمی‌توان از تنش واقعی به جای تنش مهندسی برای لیگامان‌ها و تاندون‌ها استفاده کرد، کدام است؟  
 (۱) تغییر شکل‌های زیاد در بافت‌های نرم  
 (۲) اثر سن در خواص بافت‌ها  
 (۳) اثر استخوان‌های مجاور  
 (۴) اثر عضلات مجاور

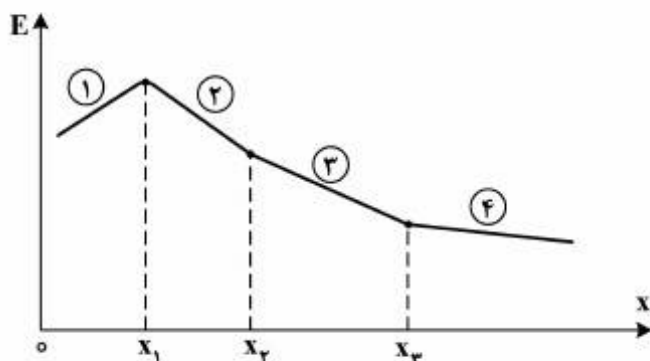


۱۴۸- کدام عامل، نقش قابل توجهی در افزایش نیروی وارد بر مفاصل دارد؟

- (۱) سرعت بازوبسته شدن مفصل  
 (۲) سطح مقطع عضلات متصل به مفصل  
 (۳) هم‌انقباضی عضلات طرفین مفصل  
 (۴) سطح مقطع نامتقارن مفصل

۱۴۹- محقق تغییرات مدول یانگ لیگامان را بر حسب فاصله از محل اتصال به استخوان به شکل زیر رسم کرده است. کدام

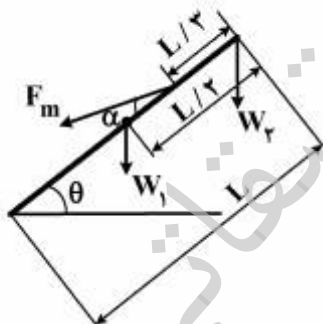
گزینه در مورد این شکل صحیح است؟ ( $x = 0$ ، مربوط به نقطه ورود لیگامان به استخوان می‌باشد و با افزایش  $x$  عملاً به داخل لیگامان در حرکت می‌باشیم).



- (۱) شیب ناحیه ۲ باید بیشتر باشد.  
 (۲) شیب ناحیه ۱ باید منفی باشد.  
 (۳) شیب ناحیه ۳ باید مثبت باشد.  
 (۴) شیب ناحیه ۴ باید مثبت باشد.

۱۵۰- فردی با وزن  $W_b$  را در حال خم کردن کمر و گرفتن وزنه مطابق شکل در نظر بگیرید. نیرویی که عضلات بلندکننده

ستون فقرات  $F_m$  تحمل می‌کنند، در حالی که فرد وسیله‌ای با وزن یک‌پنجم وزن بدن خود ( $0.2 \cdot W_b$ ) را بلند می‌کند، نسبت به حالتی که هیچ وزنه‌ای را بلند نمی‌کند چه تغییری می‌کند؟



- $W_1 = 0.4 \cdot W_b$  = وزن تنه  
 $W_2 =$  وزن سر و دست‌ها و وزنه احتمالی  
 $W_3 = 0.2 \cdot W_b$  = فقط وزن سر و دست‌ها

- (۱) ۲ برابر می‌شود.  
 (۲) ۱/۵ برابر می‌شود.  
 (۳) به اندازه  $0.4 \cdot W_b$  زیاد می‌شود.  
 (۴) به اندازه  $0.2 \cdot W_b$  زیاد می‌شود.

دروس پایه پزشکی (فیزیولوژی، آناتومی، فیزیک پزشکی):

۱۵۱- کدام حجم ریوی، با آناتومی نسبت بیشتری دارد تا با فیزیولوژی؟

- (۱) باقیمانده (۲) جاری (۳) ذخیره دمی (۴) ذخیره بازدمی

۱۵۲- میزان جریان خون موضعی در بافت‌ها، عمدتاً بر چه اساسی است؟

- (۱) برنده قلب (۲) جریان کلی خون بدن (۳) میزان فشار خون (۴) نیاز بافت

۱۵۳- کانال‌های سدیمی کلسیمی آهسته، در عضلات محرک کدام عضو کمتر دیده می‌شوند؟

- (۱) قلب (۲) تنفس (۳) عروق (۴) گوارش

- ۱۵۴- کدام یون، در ایجاد مرحله هیپریولاریزاسیون، نقش بیشتری دارد؟  
 (۱) پتاسیم (۲) سدیم (۳) کلر (۴) کلسیم
- ۱۵۵- کدام یک، از خصوصیات دریچه‌های ورودی بطن‌ها نسبت به دریچه‌های خروجی آنهاست؟  
 (۱) سائیدگی مکانیکی بیشتر (۲) سازگاری بیشتر با استرس  
 (۳) گشادتر بودن (۴) محکم و سریع‌تر بسته‌شدن
- ۱۵۶- کدام عامل، در ایجاد جریان گردبادی، دخالت کمتری دارد؟  
 (۱) چگالی خون (۲) سرعت خون (۳) قطر رگ (۴) طول رگ
- ۱۵۷- خصوصیات مکانیکی سلول را، کدام یک تأمین می‌کند؟  
 (۱) پروتئین (۲) چربی (۳) کربوهیدرات (۴) یون
- ۱۵۸- کدام یک، از دیافراگم نمی‌گذرد؟  
 (۱) شریان آئورت (۲) عصب واگ (۳) مری (۴) ورید باب
- ۱۵۹- اندام‌های تعادلی، در داخل کدام استخوان قرار دارند؟  
 (۱) آهیانه (۲) پیشانی (۳) غربالی (۴) گیجگاهی
- ۱۶۰- هسته‌های اعصاب مغزی دوازده‌گانه، بیشتر نزدیک کدام بطن مغزی قرار دارند؟  
 (۱) چهارم (۲) سوم (۳) دوم (۴) اول
- ۱۶۱- کدام عضله از نظر تأثیر حرکت، با بقیه متفاوت است؟  
 (۱) بین‌دنده‌ای (۲) سینه‌ای بزرگ (۳) سینه‌ای کوچک (۴) دلتوئید
- ۱۶۲- در وضعیت تشریحی، کدام عضلات در اطراف مچ دست‌ها، بیشتر درگیرند؟  
 (۱) ایداکشن‌ها (۲) اکستنسورها (۳) سوپیناتورها (۴) فلکسورها
- ۱۶۳- بعد از خوردن غذای چرب، کلسترول در کدام ورید زیادت‌تر است؟  
 (۱) اجوف تحتانی (۲) براکیو سفالیک راست  
 (۳) براکیو سفالیک چپ (۴) مرسه به یک اندازه
- ۱۶۴- نقطه دور چشم شخصی ۵/۵m است. توان چشم او در حالت استراحت کامل چند دیوپتر است؟ (فاصله عدسی تا شبکیه ۲cm است)  
 (۱) ۲/۵  
 (۲) ۲۵  
 (۳) ۵۰  
 (۴) ۵۲
- ۱۶۵- در بدن انسان، اغلب ماهیچه‌ها نزدیک مفصل‌ها قرار دارند و این امر کدام مورد را سبب می‌شود؟  
 (۱) گشتاور نیروی اعمال شده توسط اغلب ماهیچه‌های بدن نسبتاً بزرگ‌باشد.  
 (۲) سرعت بیشتر به واسطه انقباض عضله در یک محدوده کوچک حاصل شود.  
 (۳) به واسطه انقباض عضله، دامنه حرکتی محدودیت پیدا کند.  
 (۴) انرژی کمتری برای حرکت مصرف شود.

۱۶۶- در کدام حالت، می توان قدرت انقباض قلب را اندازه گرفت؟

- (۱) بازبودن تمام دریچه های قلب
- (۲) بسته بودن تمام دریچه های قلب
- (۳) بازبودن دریچه های ورودی بطن ها و بسته بودن دریچه های خروجی بطن ها
- (۴) بسته بودن دریچه های ورودی بطن ها و بازبودن دریچه های خروجی بطن ها

۱۶۷- در بیماری آمفیزم:

- (۱) تبادلات گازی و مقاومت راه های هوایی در سیستم تنفسی، هر دو کاهش می یابد.
  - (۲) تبادلات گازی، کاهش و مقاومت راه های هوایی در سیستم تنفسی، افزایش می یابد.
  - (۳) تبادلات گازی، افزایش و مقاومت راه های هوایی در سیستم تنفسی، کاهش می یابد.
  - (۴) تبادلات گازی و مقاومت راه های هوایی در سیستم تنفسی، هر دو افزایش می یابد.
- ۱۶۸- در هنگام ثبت سیگنال حیاتی GSR، کدام کمیت فیزیکی مثبت اندازه گیری می شود؟

- (۱) گرمای پوست
- (۲) جریان الکتریکی پوست
- (۳) امپدانس الکتریکی پوست
- (۴) ولتاژ پوست

۱۶۹- در تاریکی، کدام مورد قطعاً اتفاق می افتد؟

- (۱) انقباض عضله دایره ای عنبیه
- (۲) انقباض عضله شعاعی عنبیه
- (۳) افزایش تحدب عدسی
- (۴) کاهش تحدب عدسی

۱۷۰- فرکانس صوت، بر چه اساسی تشخیص داده می شود؟

- (۱) تعداد فیبرهای عصبی تحریک شده
- (۲) فرکانس پتانسیل عمل ایجاد شده
- (۳) محل تحریک گیرنده ها
- (۴) فشار ایجاد شده در پرده صماخ

تألیف: دکتر سید علی حسینی  
ارمان