

262F

نام:  
نام خانوادگی:  
محل امضا:

عصر پنجشنبه  
۹۵/۰۲/۱۶

«اگر دانشگاه اصلاح شود مملکت اصلاح می شود.»  
امام خمینی (ره)



جمهوری اسلامی ایران  
وزارت علوم، تحقیقات و فناوری  
سازمان سنجش آموزش کشور

**آزمون ورودی دوره‌های کارشناسی ارشد ناپیوسته داخل - سال ۱۳۹۵**

**مهندسی ابزار دقیق و اتوماسیون در صنایع نفت - کد ۱۲۹۰**

تعداد سؤال: ۱۳۰  
مدت پاسخگویی: ۲۰۰ دقیقه

عنوان مواد امتحانی، تعداد و شماره سؤالات

ردیف	مواد امتحانی	تعداد سؤال	از شماره	تا شماره
۱	زبان عمومی و تخصصی (انگلیسی)	۳۰	۱	۳۰
۲	ریاضیات مهندسی	۱۵	۳۱	۴۵
۳	کنترل خطی و غیر خطی	۱۵	۴۶	۶۰
۴	ترمودینامیک	۲۰	۶۱	۸۰
۵	مکانیک سیالات و انتقال حرارت	۲۰	۸۱	۱۰۰
۶	مدارهای الکتریکی ۱ و ۲	۱۵	۱۰۱	۱۱۵
۷	الکترونیک ۱ و ۲	۱۵	۱۱۶	۱۳۰

این آزمون نمره منفی دارد.  
استفاده از ماشین حساب مجاز نیست.

حق چاپ، تکثیر و انتشار سؤالات به هر روش (الکترونیکی و ...) پس از برگزاری آزمون، برای تمامی اشخاص حقیقی و حقوقی تنها با مجوز این سازمان مجاز می‌باشد و با متخلفین برابر مقررات رفتار می‌شود.

**PART A: Vocabulary**

**Directions:** Choose the word or phrase (1), (2), (3), or (4) that best completes the blank. Then mark the correct choice on your answer sheet.

- 1- This evening's meeting is one in which important issues would be discussed; your attendance is -----.  
1) obligatory      2) didactic      3) relevant      4) explicit
- 2- After a long ----- between the former husband and wife over the custody of the child, the court finally decided to grant the custody to the mother.  
1) contradiction      2) cruelty      3) squabble      4) hesitation
- 3- In Australia, animals are reared on crop residue. Without the animals, these residues would have to be ----- by other means before another crop can be grown—often by burning.  
1) deprived of      2) disposed of      3) resorted to      4) alluded to
- 4- Unable to ----- the tyrannical rules and regulations at the hostel, young Vivian thought of escaping in the dark of the night.  
1) scold      2) acclaim      3) bear      4) treat
- 5- Why do some animals, such as humans, ----- to sleep, whereas others, such as elephants and giraffes, stand?  
1) require      2) snore      3) set up      4) lie down
- 6- With sixteen victories in a row, the Australian cricket team was looking quite unassailable, but they were finally ----- at the hands of the Indians.  
1) dispersed      2) vanquished      3) confronted      4) disregarded
- 7- The salesboy tried to persuade the old man to buy goods from him, but had to give up when the old man told him ----- that he would not buy anything from him.  
1) arbitrarily      2) haphazardly      3) unequivocally      4) necessarily
- 8- But he had become ----- to the rush and whirr of missiles, and now paid no heed whatever to them.  
1) inured      2) rendered      3) constrained      4) affirmed
- 9- The judge openly associated with racist organizations; nevertheless, he showed no ----- in his decisions during his career.  
1) uniqueness      2) dexterity      3) gratitude      4) prejudice
- 10- I don't have any explanation for his ----- behavior at last night's party, though I'm sure that he is quite apologetic about it.  
1) credible      2) resolute      3) distinct      4) bizarre

**PART B: Cloze Passage**

**Directions:** Read the following passage and decide which choice (1), (2), (3), or (4) best fits each space. Then mark the correct choice on your answer sheet.

Where do such creative sparks come from? How can we conjure them whenever we want? And why can that be (11) ----- anyway? A complete understanding isn't here yet, (12) ----- neuroscientists are already on the trail of (13) ----- . They also have some good news for each of us (14) ----- to ignite those inventive fires. As it turns out,

(15) ----- our own muse may be easier than we think, especially if we learn to make a habit of it.

- 11- 1) infernally difficult so to do                      2) so infernally difficult to do  
       3) difficult infernally to do so                      4) to do so infernally difficult
- 12- 1) in spite of                      2) however                      3) nonetheless                      4) but
- 13- 1) where and how does creativity arise                      2) creativity how and where it arises  
       3) where and how creativity arises                      4) creativity does arise where and how
- 14- 1) who has ever struggled                      2) struggled ever  
       3) have ever struggled                      4) ever to struggle
- 15- 1) we tap                      2) when we tap                      3) and taps                      4) tapping

### PART C: Reading Comprehension

**Directions:** Read the following passages and answer the questions by choosing the best choice (1), (2), (3), or (4). Then mark the correct choice on your answer sheet.

#### PASSAGE 1:

Modern Control Theory. The modern trend in engineering systems is toward greater complexity, due mainly to the requirements of complex tasks and good accuracy. Complex systems may have multiple inputs and multiple outputs and may be timevarying. Because of the necessity of meeting increasingly stringent requirements on the performance of control systems, the increase in system complexity, and easy access to large scale computers, modern control theory, which is a new approach to the analysis and design of complex control systems, has been developed since around 1960. This new approach is based on the concept of state. The concept of state by itself is not new, since it has been in existence for a long time in the field of classical dynamics and other fields.

Modern Control Theory Versus Conventional Control Theory. Modern control theory is contrasted with conventional control theory in that the former is applicable to multiple-input, multiple-output systems, which may be linear or nonlinear, time invariant or time varying, while the latter is applicable only to linear time-invariant single-input, single-output systems. Also, modern control theory is essentially time-domain approach and frequency domain approach (in certain cases such as H-infinity control), while conventional control theory is a complex frequency-domain approach. Before we proceed further, we must define state, state variables, state vector, and state space.

- 16- **The greater complexity of modern engineering necessitates ----- control theory.**  
       1) classical                      2) conventional                      3) modern                      4) stringent
- 17- **We understand from the passage that complex system deals with ----- items at the same time.**  
       1) more                      2) less  
       3) greater                      4) the same number of

- 18- The underlined "This new approach in the first paragraph" refers to -----.
- 1) performance of control systems
  - 2) access to large scale computers
  - 3) stringent requirements
  - 4) modern control theory
- 19- The second paragraph deals mainly with ----- modern control theory and conventional control theory.
- 1) similarities of
  - 2) differences between
  - 3) shortcomings of
  - 4) time dependency of
- 20- The underlined "the latter" in the second paragraph refers to -----.
- 1) conventional control theory
  - 2) modern control theory
  - 3) multiple – input system
  - 4) multiple – output system

**PASSAGE 2:**

Nonlinear Systems. A system is nonlinear if the principle of superposition does not apply. Thus, for a nonlinear system the response to two inputs cannot be calculated by treating one input at a time and adding the results.

Although many physical relationships are often represented by linear equations, in most cases actual relationships are not quite linear. In fact, a careful study of physical systems reveals that even so-called "linear systems" are really linear only in limited operating ranges. In practice, many electromechanical systems, hydraulic systems, pneumatic systems, and so on, involve nonlinear relationships among the variables.

For example, the output of a component may saturate for large input signals. There maybe a dead space that affects small signals. (The dead space of a component is a small range of input variations to which the component is insensitive.) Square-law nonlinearity may occur in some components. For instance, dampers used in physical systems may be linear for low-velocity operations but may become nonlinear at high velocities, and the damping force may become proportional to the square of the operating velocity.

Linearization of Nonlinear Systems. In control engineering a normal operation of the system may be around an equilibrium point, and the signals may be considered small signals around the equilibrium. (It should be pointed out that there are many exceptions to such a case.) However, if the system operates around an equilibrium point and if the signals involved are small signals, then it is possible to approximate the non-linear system by a linear system. Such a linear system is equivalent to the nonlinear system considered within a limited operating range. Such a linearized model (linear, time-invariant model) is very important in control engineering.

- 21- We understand from the first paragraph that for a nonlinear system inputs have to be treated -----.
- 1) sequentially
  - 2) alternately
  - 3) separately
  - 4) together
- 22- A careful study of physical systems show that most of them are -----.
- 1) irregular
  - 2) quite linear
  - 3) dimentional
  - 4) nonlinear
- 23- We understand from the passage that a computer is not ----- to all inputs.
- 1) sensitive
  - 2) insensitive
  - 3) indifferent
  - 4) operative

- 24- The underlined word "approximate" in the passage is closest in meaning to -----.
- 1) minimize      2) approach      3) control      4) limit
- 25- We know from the passage that at the "equilibrium", ----- can be approximated by the linear system.
- 1) exceptions      2) a normal operation  
3) small signals      4) nonlinear systems

**PASSAGE 3:**

Business Systems. A business system may consist of many groups. Each task assigned to a group will represent a dynamic element of the system. Feedback methods of reporting the accomplishments of each group must be established in such a system for proper operation. The cross-coupling between functional groups must be made a minimum in order to reduce undesirable delay times in the system. The smaller this cross-coupling, the smoother the flow of work signals and materials will be.

A business system is a closed-loop system. A good design will reduce the managerial control required. Note that disturbances in this system are the lack of personnel or materials, interruption of communication, human errors, and the like.

The establishment of a well-founded estimating system based on statistics is mandatory to proper management. It is a well-known fact that the performance of such a system can be improved by the use of lead time, or anticipation.

To apply control theory to improve the performance of such a system, we must represent the dynamic characteristic of the component groups of the system by a relatively simple set of equations.

Although it is certainly a difficult problem to derive mathematical representations of the component groups, the application of optimization techniques to business systems significantly improves the performance of the business system.

Consider, as an example, an engineering organizational system that is composed of major groups such as management, research and development, preliminary design, experiments, product design and drafting, fabrication and assembling, and testing. These groups are interconnected to make up the whole operation.

- 26- We understand from the first paragraph that the higher the accuracy of reporting the accomplishments of a group, the better the -----.
- 1) operation      2) function      3) establishment      4) feedback
- 27- The more the cross-coupling, the ----- the delay time in the system.
- 1) better      2) more      3) greater      4) less
- 28- We understand from the passage that in a closed-loop system, the managerial control required depends on -----.
- 1) communication      2) design      3) personnel      4) materials
- 29- According to the text, a basic requirement of a good management is -----.
- 1) anticipation      2) lead time      3) statistics      4) design
- 30- One example of optimization technique in the passage is -----.
- 1) estimation of performance      2) research and development  
3) mathematical representation      4) organizational performance

۳۱- اگر  $f(x) = \frac{1}{\pi} \sum_{n=1}^{\infty} \frac{(-1)^{n-1}}{n^2 - \frac{1}{4}} \cos 2nx$  باشد، مقدار  $\int_0^{\frac{\pi}{2}} f(x) \cos 2x dx$  کدام است؟

(۱)  $-\frac{1}{2}$

(۲)  $-\frac{1}{5}$

(۳)  $\frac{1}{5}$

(۴)  $\frac{1}{2}$

۳۲- اگر  $f(x) = \int_0^{\infty} B(w) \sin wx dw$  تابعی فرد و در آن  $B(w) = \frac{\gamma e^{-\gamma w}}{1+w^2}$  باشد، مقدار  $f - f''$  ، کدام است؟

(۱)  $\frac{x}{x^2 + \frac{1}{4}}$

(۲)  $\frac{x}{4x^2 + 1}$

(۳)  $\frac{2x}{x^2 + \frac{1}{4}}$

(۴)  $\frac{2x}{4x^2 + 1}$

۳۳- تابع  $f(x)$  در معادله انتگرالی  $\int_0^{\infty} f(x) \cos wx dx = e^{-sw}$  ،  $s > 0$  ، کدام است؟

(۱)  $\frac{\gamma}{\pi} \frac{s}{s^2 + x^2}$

(۲)  $\frac{\gamma}{\pi} \frac{x}{s^2 + x^2}$

(۳)  $\sqrt{\frac{\gamma}{\pi}} \frac{s}{s^2 + x^2}$

(۴)  $\sqrt{\frac{\gamma}{\pi}} \frac{x}{s^2 + x^2}$

۳۴- اگر  $\int_0^{\infty} f(w) \sin wx dw = \begin{cases} x & |x| < \pi \\ 0 & \text{سایر نقاط} \end{cases}$  باشد، مقدار تابع  $\frac{d}{dw}(w^2 f)$  در نقطه  $w = \frac{1}{2}$  ، کدام است؟

(۱)  $-\frac{\pi^2}{2}$

(۲)  $-\pi$

(۳)  $\pi$

(۴)  $\frac{\pi^2}{2}$

۳۵- یک جواب کلی،  $u(x, t)$  ، برای مسئله زیر، کدام است؟

$u_{tt} - u_{xx} = F(x, t)$

$u_x(0, t) = 0$  ،  $u(1, t) = 0$

$u(x, 0) = f(x)$  ،  $u_t(x, 0) = g(x)$

(۲)  $\sum_0^{\infty} G_n(t) \cos \frac{(2n+1)\pi}{2} x$

(۱)  $\sum_0^{\infty} G_n(t) \sin \frac{(2n+1)\pi}{2} x$

(۴)  $\sum_0^{\infty} G_n(t) \sin \frac{n\pi}{2} x$

(۳)  $\sum_0^{\infty} G_n(t) \cos \frac{n\pi}{2} x$

۳۶- جواب مانای (Steady State) مسئله زیر، کدام است؟

$$x^2 u_{xx} - 1888x u_x + 8930u = u_t$$

$$u(1, t) = 0$$

$$u_x(1, t) = 1395$$

$$u(x, 0) = f(x)$$

$$v(x) = 1395x^{95} - 1395x^{94} \quad (1)$$

$$v(x) = 1395x^{95} - 1394x^{94} \quad (2)$$

$$v(x) = 1394x^{95} - 1395x^{94} \quad (3)$$

$$v(x) = 1394x^{95} - 1394x^{94} \quad (4)$$

۳۷- معادله دیفرانسیل  $Au_{xx} + 2Bu_{xy} + Cu_{yy} = F$  با استفاده از تغییر متغیر  $v = x + y$  و  $w = x - y$  جوابی به

صورت  $u(x, y) = \phi(x + y) + \psi(x - y)$  دارد. اگر شرایط  $u(x, 0) = e^{-x}$ ,  $u_y(x, 0) = e^x$  را به کار گیریم،

جواب حاصل کدام است؟

$$u(x, y) = \cosh(x - y) + \sinh(x + y) \quad (1)$$

$$u(x, y) = \cosh(x + y) + \sinh(x - y) \quad (2)$$

$$u(x, y) = \cosh(x - y) - \sinh(x + y) \quad (3)$$

$$u(x, y) = \cosh(x + y) - \sinh(x - y) \quad (4)$$

۳۸- تبدیل لاپلاس جواب مسئله  $\begin{cases} u_{tx} + u_x = 0 \\ u(x, 0) = \cos x, u(0, t) = 0 \end{cases}$  . کدام است؟

$$\frac{1}{s+1}(1 + \cos x) \quad (1)$$

$$\frac{1}{s+1}(-1 + \cos x) \quad (2)$$

$$\frac{1}{s+1}(-1 + \sin x) \quad (3)$$

$$\frac{1}{s+1}(1 + \sin x) \quad (4)$$

۳۹- مقدار اصلی (principal value)  $w = (1 - i)^{fi}$  ، کدام است؟

$$w = e^{\pi}(\cos(\pi \ln 2) + i \sin(\pi \ln 2)) \quad (1)$$

$$w = e^{-\pi}(\cos(\pi \ln 2) + i \sin(\pi \ln 2)) \quad (2)$$

$$w = e^{\pi}(\cos(\pi \ln 2) - i \sin(\pi \ln 2)) \quad (3)$$

$$w = e^{-\pi}(\cos(\pi \ln 2) - i \sin(\pi \ln 2)) \quad (4)$$

۴۰- تابع  $f(z) = \ln(iz^2 + 2 + i)$ ، در کدام قسمت از صفحه  $xy$  تحلیلی نیست؟

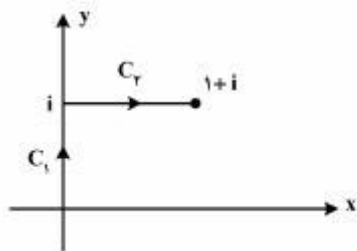
$$\{(x, y) \in \mathbb{R}^2 / x^2 - y^2 = 1, xy \geq 1\} \quad (1)$$

$$\{(x, y) \in \mathbb{R}^2 / x^2 - y^2 = 1, xy \leq 1\} \quad (2)$$

$$\{(x, y) \in \mathbb{R}^2 / y^2 - x^2 = 1, xy \geq 1\} \quad (3)$$

$$\{(x, y) \in \mathbb{R}^2 / y^2 - x^2 = 1, xy \leq 1\} \quad (4)$$

۴۱- مقدار انتگرال  $I = \int_C f(z) dz$  وقتی که  $f(z) = y - x - 2ix^2$  و  $C$  متشکل از دو پاره خط  $C_1$  و  $C_2$  مطابق شکل



زیر باشد، کدام است؟

(۱)  $1-i$

(۲)  $\frac{1}{2} - \frac{1}{2}i$

(۳)  $i-1$

(۴)  $\frac{1}{2}i - \frac{1}{2}$

۴۲- اگر  $C$  دایره  $\{z : |z| = (2N+1)\pi\}$  در خلاف جهت حرکت عقربه‌های ساعت پیموده شود ( $N$  یک عدد صحیح مثبت

است)، مقدار  $\oint_C \frac{zdz}{e^z - 1}$  برابر کدام است؟

(۲) ۰

(۱)  $-2\pi i$

(۴)  $2N$

(۳)  $2\pi i$

۴۳- مانده تابع  $f(z) = e^z \sin\left(\frac{1}{z}\right)$  در  $z_0 = 0$ ، کدام است؟

(۲)  $\sum_{n=0}^{\infty} \frac{(-1)^n}{n!(n+1)!}$

(۱)  $1 + \sum_{n=2}^{\infty} \frac{(-1)^{n+1}}{(2n)!(2n+1)!}$

(۴)  $\sum_{n=0}^{\infty} \frac{(-1)^n}{(2n)!(2n+1)!}$

(۳)  $1 + \sum_{n=2}^{\infty} \frac{(-1)^{n+1}}{n!(n+1)!}$

۴۴- مقدار سری  $\sum_{n=0}^{\infty} \frac{1}{2\pi i} \oint_C \frac{e^{zx}}{z^{n+1}} dz$ ، کدام است؟ ( $C$  یک خم ساده بسته در خلاف جهت حرکت عقربه‌های ساعت

و مبدأ مختصات یک نقطه درون آن است).

(۲)  $\frac{x^n}{n!}$

(۱)  $\frac{z^n}{n!}$

(۴)  $e^x$

(۳)  $e^z$

۴۵- تصویر خط  $u=c$  از صفحه  $uv$  تحت نگاشت  $u+iv = w = \sin^{-1} z$  در صفحه  $xy$ ، کدام است؟ ( $c$  یک عدد ثابت

حقیقی است)

(۱)  $\frac{y^2}{\sin^2 c} - \frac{x^2}{\cos^2 c} = 1$

(۲)  $\frac{x^2}{\cos^2 c} - \frac{y^2}{\sin^2 c} = 1$

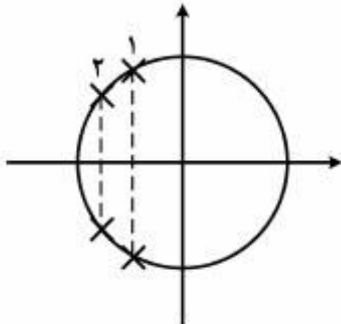
(۳)  $\frac{x^2}{\sin^2 c} - \frac{y^2}{\cos^2 c} = 1$

(۴)  $\frac{y^2}{\cos^2 c} - \frac{x^2}{\sin^2 c} = 1$



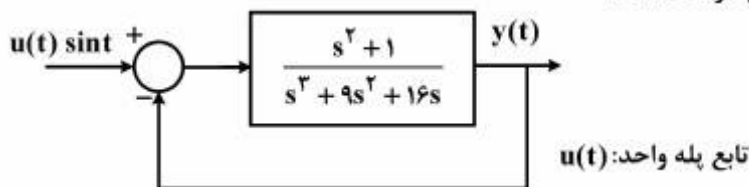
کنترل خطی و غیرخطی:

۴۶- در صورتی که در یک سیستم حلقه بسته، قطب‌ها از محل دو به یک تغییر یابند، چه تغییری در پاسخ پله سیستم رخ خواهد داد؟



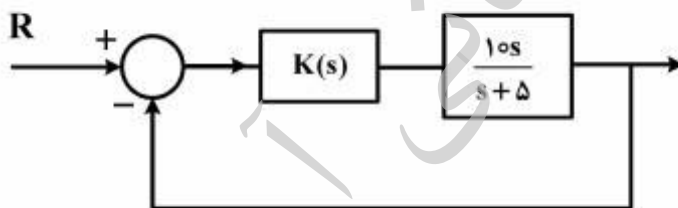
- (۱) افزایش زمان خیز
- (۲) افزایش ماکزیمم فراجش
- (۳) کاهش زمان نشست
- (۴) کاهش می نیمم فراجش

۴۷- تابع تبدیل زیر در حالت بدون شرایط اولیه به ازای ورودی  $u(t)\sin t$  در سیستم با فیدبک واحد، مفروض مسئله است. کدام گزینه در مورد پاسخ  $y(t)$  درست است؟



- (۱)  $y(t)$  پس از گذشت یک زمان محدود که غیرصفر است، صفر خواهد شد.
- (۲)  $y(t)$  یک خروجی سینوسی با فرکانس یک رادیان بر ثانیه می باشد.
- (۳) بلوک فوق ناپایدار است و  $y(t)$  به سمت بی نهایت میل می کند.
- (۴) مقدار  $y(t)$  به ازای همه  $t > 0$  صفر است.

۴۸- سیستم کنترل زیر را در نظر بگیرید. هدف طراحی جبران ساز  $k(s)$  به گونه ای است که خروجی سیستم به ورودی پله واحد را بدون خطای حالت گذرا دنبال نماید. کدام گزینه در مورد  $k(s)$ ، درست است؟



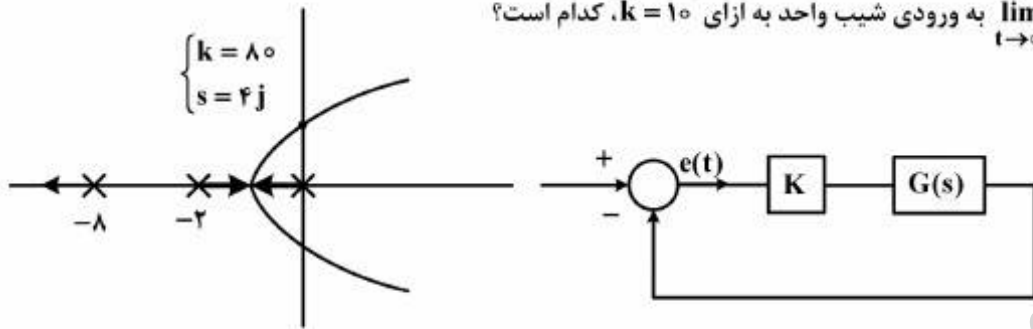
- (۱)  $k(s) = \frac{10}{s^2}$
- (۲)  $k(s) = \frac{5}{s^2}$
- (۳)  $k(s) = \frac{1}{s^2}$
- (۴) هیچ نوع  $k(s)$  وجود ندارد.

۴۹- در مورد سیستم با تابع تبدیل حلقه  $G(s) = \frac{k(s+5)}{(s+3)(s+4)}$  که تحت فیدبک واحد منفی قرار دارد، کدام گزینه صحیح نیست؟

- (۱) با افزایش بهره مثبت ابتدا پاسخ سیستم میرای شدید، سپس میرای بحرانی، بعد از آن میرای ضعیف، مجدداً میرای بحرانی و نهایتاً میرای شدید خواهد شد.
- (۲) مقداری از بهره  $k$  وجود دارد تا سیستم حلقه بسته به ازای ورودی پله واحد در حالت ماندگار خروجی با دامنه سه را نتیجه دهد.
- (۳) مقداری از بهره  $k$  وجود دارد که به ازای آن پاسخ پله سیستم حلقه بسته دارای ماکزیمم جهش ۵٪ می باشد.
- (۴) به ازای مقادیر بزرگ  $k$  پاسخ پله سیستم، نمایی ساده خواهد بود.

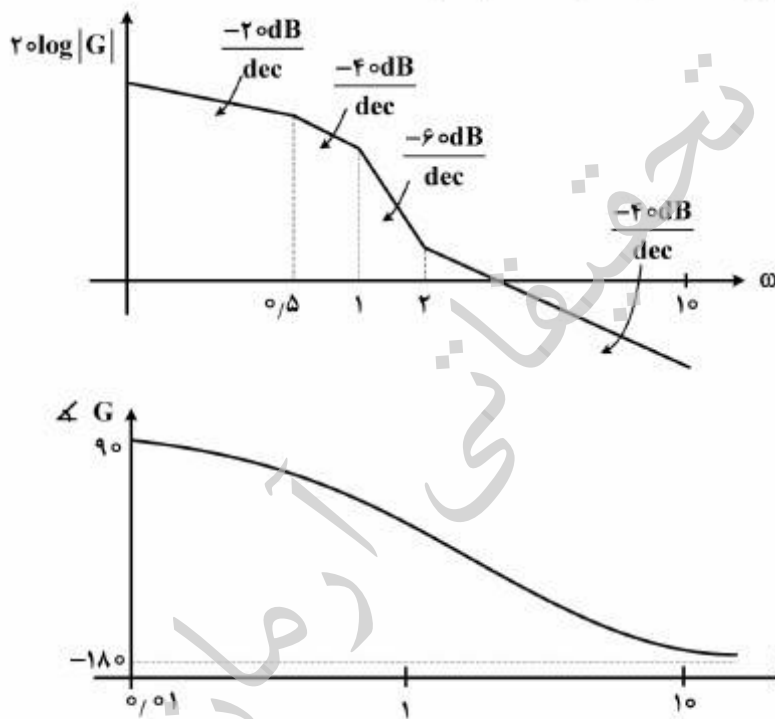
۵۰- مکان هندسی ریشه‌های معادله مشخصه سیستم زیر در شکل نشان داده شده است. در صورتی که بدانیم محل تلاقی این مکان بر روی محور موهومی به ازای  $k = 80$  و در  $s = 4j$  اتفاق می‌افتد، خطای حالت ماندگار سیستم

$\lim_{t \rightarrow \infty} e(t)$  به ورودی شیب واحد به ازای  $k = 10$  کدام است؟



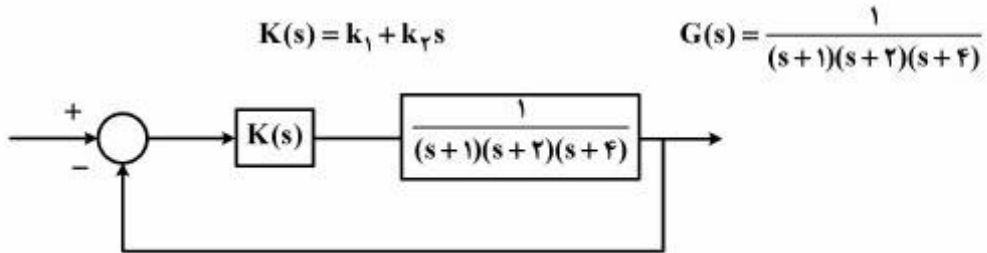
- (۱) صفر
- (۲) ۰٫۸
- (۳) ۱٫۶
- (۴) بی‌نهایت

۵۱- نمودار بُود سیستمی به صورت زیر می‌باشد. تابع تبدیل سیستم، کدام است؟



- (۱)  $G = \frac{(s-2)}{s(s+0.5)(s+1)}$
- (۲)  $G = \frac{-(s+2)}{s(s+0.5)(s+1)}$
- (۳)  $G = \frac{s(s-2)}{(s+0.5)(s+1)}$
- (۴)  $G = \frac{-s(s-2)}{(s+0.5)(s+1)}$

۵۲- در سیستم زیر می‌خواهیم با یک کنترل کننده PD سرعت پاسخ‌دهی سیستم را افزایش دهیم. کدام کنترل کننده توانایی این عمل را خواهد داشت؟



(۱)  $k_1 = 1; k_2 = 2$

(۲)  $k_1 = 4; k_2 = 1$

(۳)  $k_1 = 1/2; k_2 = 1$

(۴)  $k_1 = -1; k_2 = -2$

۵۳- سیستمی با تابع تبدیل حلقه‌باز  $\frac{1}{s^2 + 3s + 2}$  را در نظر بگیرید. در مورد حاشیه فاز (P.m.) و حاشیه بهره (G.m.) این سیستم، گزینه صحیح، کدام است؟

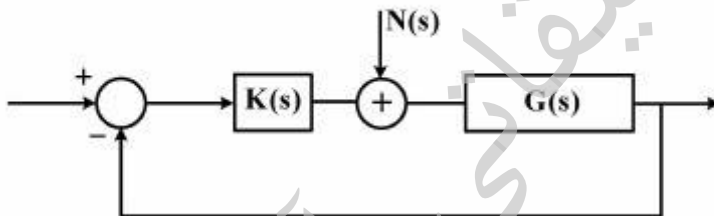
(۱)  $G.m. = -20 \text{ dB}; P.m. = 10^\circ$

(۲)  $G.m. = 20 \text{ dB}; P.m. = -10^\circ$

(۳)  $G.m. = 20 \text{ dB}; P.m. = 10^\circ$

(۴)  $G.m. = \infty; P.m. > 90^\circ$

۵۴- می‌دانیم سیستم حلقه بسته زیر پایدار است، کدام کنترل کننده PD، توانایی کاهش بیشتر اثر اغتشاش میان حلقه پله (N(s)) را خواهد داشت؟



(۱)  $K(s) = k_1 + k_2 s; k_1 = 0; k_2 = 1$

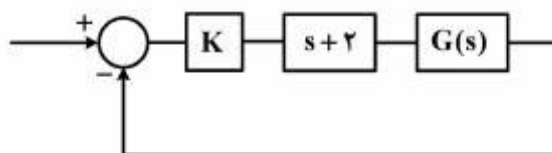
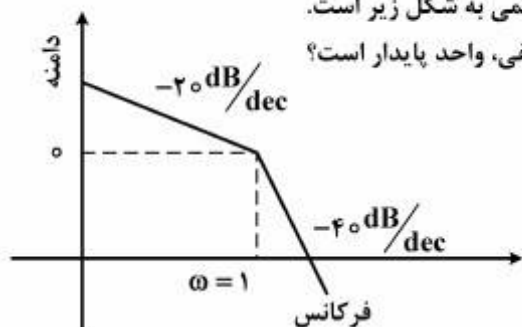
(۲)  $K(s) = k_1 + k_2 s; k_1 = 1; k_2 = 1$

(۳)  $K(s) = k_1 + k_2 s; k_1 = 10; k_2 = 0.1$

(۴)  $K(s) = k_1 + k_2 s; k_1 = 0.1; k_2 = 10$

۵۵- دیاگرام اندازه‌مجابی بُد تابع تبدیل حلقه باز  $G(s)$  سیستمی به شکل زیر است.

به ازای چه مقدار  $k$  الزاماً سیستم حلقه بسته با فیدبک منفی، واحد پایدار است؟



$k > 1$

$0 < k < 1$  (۲)

$k > 2$  (۳)

(۴) برای جواب مسئله، منحنی فاز نیز مورد نیاز است.

۵۶- در مورد رفتار سیستم زیر حول نقطه تعادل، کدام گزینه صحیح است؟

$$\dot{x}_1 = -x_2 - \mu x_1(x_1^2 + x_2^2)$$

$$\dot{x}_2 = x_1 - \mu x_2(x_1^2 + x_2^2)$$

(۱) با توجه به علامت  $\mu$  می‌تواند پایدار و یا ناپایدار باشد.

(۲) رفتار نوسانی حول مبدأ دارد.

(۳) پایدار است.

(۴) ناپایدار است.

۵۷- در مورد رفتار سیستم حول نقطه تعادل  $(0, 0)$  برای سیستم زیر، کدام گزینه صحیح است؟

$$\dot{x}_1 = [1 - x_1 - 2h(x)]x_1$$

$$\dot{x}_2 = [-2 - h(x)]x_2$$

$$h(x) = \frac{x_2}{1 + x_1}$$

(۱) مسیر در راستای بردار  $[1, 0]$  به سمت مبدأ می‌رود و در راستای بردار  $[0, 1]$  از مبدأ دور می‌شود.

(۲) مسیرهای در راستای بردارهای  $[0, 1]$  و  $[1, 0]$  به سمت مبدأ می‌روند و سایر مسیرها از مبدأ دور می‌شوند.

(۳) مسیرهای در راستای بردار  $[0, 1]$  و  $[1, 0]$  از مبدأ دور می‌شوند و سایر مسیرها به مبدأ می‌رسند.

(۴) مسیر در راستای بردار  $[0, 1]$  به سمت مبدأ می‌رود و در راستای بردار  $[1, 0]$  از مبدأ دور می‌شود.

۵۸- سیستمی با معادلات حالت زیر را در نظر بگیرید.

$$\dot{x}_1 = x_2$$

$$\dot{x}_2 = -x_1 + 0.2(1 - x_1^2)x_2$$

در مورد رفتار این سیستم، گزینه صحیح کدام است؟

(۱) نقطه تعادل  $(0, 0)$  پایدار فراگیر است یعنی همه مسیرها به سمت این نقطه حرکت کرده و در نهایت به آن می‌رسند.

(۲) نقطه تعادل  $(0, 0)$  پایدار محلی است و تنها مسیرها از یک همسایگی مشخصی به  $(0, 0)$  ختم می‌شوند.

(۳) مسیرها از نقطه تعادل  $(0, 0)$  دور می‌شوند، اما به دایره‌ای به شعاع ۲ محدود می‌شوند.

(۴) مسیرها از نقطه تعادل  $(0, 0)$  دور می‌شوند و به سمت بی‌نهایت می‌روند.

۵۹- سیستمی با معادلات حالت زیر را در نظر بگیرید.

$$\begin{bmatrix} \dot{x}_1 \\ \dot{x}_2 \end{bmatrix} = \begin{bmatrix} 0 & +1 \\ 0 & -2 \end{bmatrix} \begin{bmatrix} x_1 \\ x_2 \end{bmatrix}$$

کدام گزینه در مورد رفتار این سیستم صحیح است؟

(۱) همه مسیرها به یک خط تعادل منتهی می‌شوند.

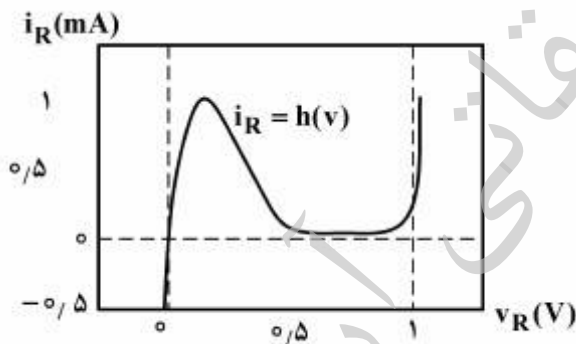
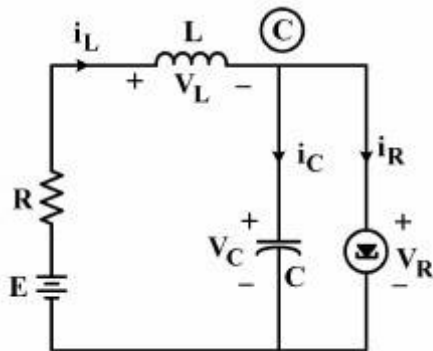
(۲) همه مسیرها از یک خط تعادل دور می‌شوند.

(۳) نقطه تعادل (۰, ۰) پایدار است.

(۴) نقطه تعادل (۰, ۰) ناپایدار است.

۶۰- مدار زیر را در نظر بگیرید. رابطه بین ولتاژ دو سردیود و جریان آن طبق منحنی ارائه شده توصیف می‌شود. در مورد

نقاط تعادل این سیستم، گزینه صحیح کدام است؟



(۱) بسته به مقدار E و C می‌تواند یک یا سه نقطه تعادل داشته باشد.

(۲) بسته به مقدار E و R می‌تواند یک یا سه نقطه تعادل داشته باشد.

(۳) یک نقطه تعادل دارد.

(۴) سه نقطه تعادل دارد.

## ترمودینامیک:

۶۱- مخزن A به حجم  $V_A$  حاوی  $n_A$  مول گاز ایدئال A، به وسیله شیریه که در ابتدا بسته است به مخزن B به حجم  $V_B = 2V_A$  حاوی گاز ایدئال B متصل است. دما و فشار در هر دو مخزن یکسان است. شیر را باز می‌کنیم تا محتویات دو مخزن مخلوط شوند به طوری که دما در همان مقدار قبلی ثابت باقی می‌ماند. تغییر آنتروپی اختلاط

$$\Delta S_{\text{mix}} \text{ برابر کدام یک خواهد بود؟ } (\ln 1/5 \approx 0/4 \ln 3 \approx 1)$$

$$R \ln(n_A + 0/4 n_B) \quad (1) \quad 2/5 RT(\ln A + \ln B)$$

$$RT \left( \frac{1}{n_A} + \frac{0/4}{n_B} \right) \quad (2) \quad R(n_A + 0/4 n_B) \quad (3)$$

۶۲- طی کدام فرایند، گازی را می‌توان به مایع تبدیل نمود؟

(۱) افزایش انتالپی گاز سپس پایین آوردن دمای آن

(۲) افزایش فشار گاز در دمای بالاتر از  $T_c$  گاز

(۳) کاهش حجم به پایین‌تر از  $V_c$  گاز و سپس افزایش فشار به مقادیر بالا

(۴) کاهش دما به پایین‌تر از  $T_c$  گاز و سپس افزایش فشار به مقادیر بالا

۶۳- قانون دوم ترمودینامیک، کدام مورد را بیان می‌کند؟

(۱) ضریب تولید (COP) یک سیستم تبرید واقعی بین دو دمای  $T_H$ ،  $T_L$ ، هرگز مساوی ضریب تولید کارنو بین همان دو دما نمی‌شود.

(۲) ضریب تولید کارنو (COP) برای یک سیستم پمپ حرارتی (Heat Pump) ممکن است صفر شود.

(۳) تغییر آنتروپی سیستم در همه فرایندهای آدیباتیک بدون استثنا، مساوی صفر است.

(۴) هرگز ممکن نیست گرما از دمای پایین‌تر به دمای بالاتر انتقال یابد.

۶۴- برای گرم کردن اتاقی و نگهداشتن دمای آن در  $27^\circ\text{C}$  از پمپ حرارتی استفاده می‌شود. اگر دمای هوای بیرون  $3^\circ\text{C}$  و اتلاف حرارتی اتاق  $25\text{kW}$  باشد، حداقل توان مصرفی این پمپ حرارتی بایستی چند کیلووات باشد؟

$$2 \quad (1) \quad 2/5 \quad (2) \quad 3 \quad (3) \quad 3/5 \quad (4)$$

۶۵- گاز طبیعی با جریان یکنواخت (Steady flow) در شرایط  $P_1$  و  $T_1$  توسط یک کمپرسور آدیباتیک تا شرایط  $P_2$  و  $T_2$  متراکم می‌شود. اگر بازدهی کمپرسور را با  $\eta_c$  و نیز کار و تغییر خواص گاز را طی فرایندهای آدیباتیک و ایزوتروپیک به ترتیب با زیرنویس‌های ad و isen نشان دهیم، رابطه درست کدام است؟

$$W_{\text{isen}} = \frac{1}{\eta_c} W_{\text{ad}}, (\Delta T)_{\text{ad}} < (\Delta T)_{\text{isen}} \quad (1)$$

$$W_{\text{ad}} > W_{\text{isen}}, (\Delta T)_{\text{ad}} > (\Delta T)_{\text{isen}} \quad (2)$$

$$W_{\text{ad}} = \eta_c W_{\text{isen}}, (\Delta S)_{\text{ad}} < (\Delta S)_{\text{isen}} \quad (3)$$

$$W_{\text{ad}} = (\eta_c + 1) W_{\text{isen}}, (\Delta U)_{\text{ad}} < (\Delta U)_{\text{isen}} \quad (4)$$

۶۶- بازدهی ایزوتروپیک یک کمپرسور ۸۰ درصد است. گاز ایدئالی با دمای اولیه  $200\text{K}$  و  $C_p \approx 2R$ ، به آن وارد و

تا سه برابر فشار اولیه فشرده می‌شود. دمای گاز خروجی از این کمپرسور، چند کلوین است؟  $(\sqrt{3} \approx 1/7)$

$$460 \quad (1) \quad 500 \quad (2) \quad 555 \quad (3) \quad 770 \quad (4)$$

۶۷- آب مایع با نرخ جریان  $20 \text{ kg/s}$  در فشار  $100 \text{ kPa}$  و دمای  $25^\circ\text{C}$  وارد یک پمپ آدیاباتیک شده و تحت فشار  $2100 \text{ kPa}$  از آن خارج می‌شود. اگر بازدهی پمپ ۸۰ درصد باشد، قدرت مصرفی کمپرسور چند کیلووات خواهد بود؟ (چگالی آب طی این فرایند تقریباً ثابت  $\rho = 1000 \text{ kg/m}^3$  فرض شود)

(۱) ۴۰ (۲) ۵۰ (۳) ۶۰ (۴) ۹۰

۶۸- در کدام وضعیت، گازی رفتار ایدئال ( $PV = RT$ )، از خود نشان می‌دهد؟

(۱)  $-\frac{1}{V} \left( \frac{\partial V}{\partial P} \right)_T = 0$  ضریب تراکم‌پذیری ایزوترمال

(۲)  $\mu_{J-T} = \left( \frac{\partial T}{\partial P} \right)_h = 0$  ضریب ژول تامسون

(۳)  $\left( \frac{\partial h}{\partial P} \right)_T < 0$  ضریب فشار آنتالپی

(۴)  $\frac{1}{V} \left( \frac{\partial V}{\partial P} \right)_P < 0$  ضریب انبساط حجمی

۶۹- در دماها و فشارهای معمول و نه چندان بالاتر معادله حالت بوتان نرمال ( $n-C_4H_{10}$ ) به صورت  $Z = 1 - 0.24 \times 10^{-3} P$  داده می‌شود که در آن  $P$  بر حسب  $\text{kPa}$  است. فوگاسیته بوتان نرمال (بر حسب  $\text{kPa}$ ) در فشار  $3000 \text{ kPa}$  و دمای  $40^\circ\text{C}$  کدام است؟ ( $e^{-0.72} = 0.4876$ )

(۱) ۲۹۷۰ (۲) ۲۲۶۷ (۳) ۱۴۵۷ (۴) ۱۲۴۴

۷۰- گازی از معادله حالت واندروالس  $RT = (P + \frac{a}{V^2})(V - b)$  پیروی می‌کند. این گاز طی یک فرایند هم‌دما از شرایط اولیه  $P_1, V_1$  به شرایط  $P_2, V_2$  منبسط می‌شود. تغییرات آنتالپی این گاز در فرایند هم‌دما برابر کدام است؟

(۱)  $du = \left[ T \left( \frac{\partial P}{\partial T} \right)_V - P \right] dV$

(۱)  $\Delta H = (P_2 V_2 - P_1 V_1) \left( \frac{1}{V_1 - b} - \frac{1}{V_2 - b} \right)$

(۲)  $\Delta H = (V_1 - b)(V_2 - b) + (P_2 V_2 - P_1 V_1)$

(۳)  $\Delta H = (P_2 V_2 - P_1 V_1) + a \left( \frac{1}{V_1} - \frac{1}{V_2} \right)$

(۴)  $\Delta H = (P_2 V_2 - P_1 V_1) \left( \frac{1}{V_2 - b} - \frac{1}{V_1 - b} \right)$

۷۱- یک سیستم سیلندر - پیستون کاملاً عایق شده حاوی گاز کاملی است که گرمای ویژه آن در حجم ثابت برابر ۱ می‌باشد. در حالت اولیه دمای گاز  $T_1$  است. حجم این گاز را نسبت به حالت اولیه دو برابر می‌کنیم. در انتهای این فرایند فشار  $\frac{1}{4}$  حالت اولیه می‌شود. کار انجام گرفته طی این فرایند چقدر است؟

(۲)  $W = 2T_1$

(۱)  $W = \frac{2}{3}T_1$

(۴)  $W = \frac{3}{2}T_1$

(۳)  $W = -\frac{1}{2}T_1$

۷۲- گازی در شرایط  $P_1$  و  $T_1$  از میان لوله‌ای عبور می‌کند که در وسط آن جسم متخلخل منفذداری قرار دارد؛ به طوری که

تمامی سطح مقطع لوله را پوشانیده است. چنانکه شرایط نهایی یعنی خروجی گاز  $P_2$  و  $T_2$  باشد:

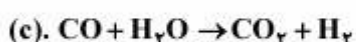
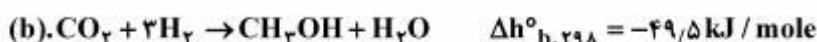
(۱)  $T_2$  می‌تواند کوچکتر و یا حتی بزرگتر از  $T_1$  باشد ولی در هر حال  $h_1 = h_2$  خواهد بود.

(۲) امکان دارد  $P_2 = P_1$  بوده و سرعت خطی  $u$  گاز ثابت بماند.

(۳) هرگز امکان  $T_2 > T_1$  و افزایش انرژی داخلی ( $\Delta U > 0$ ) گاز وجود ندارد.

(۴) امکان دارد  $P_2 > P_1$  بوده و آنتروپی گاز ثابت بماند ( $\Delta S = 0$ ).

۷۳- واکنش‌های شیمیایی (همراه با گرمای واکنش) زیر تولید متانول را از  $CO$  و یا  $CO_2$  نشان می‌دهند.



گرمای واکنش  $\Delta h_{c,298}^\circ$  بر حسب  $\text{kJ / mole}$  چقدر خواهد بود؟

(۱)  $-141.4$

(۲)  $-42.4$

(۳)  $+12.5$

(۴)  $+24.4$

۷۴- برای افزایش بازدهی حرارتی یک نیروگاه بخار (Steam Power Plant)، انجام کدام روش بیشتر مقبول و عملی‌تر است؟

(۱) سیکل رانکین با کاهش دما و فشار در کندانسور (۲) سیکل رانکین فقط با افزایش دما در بویلر

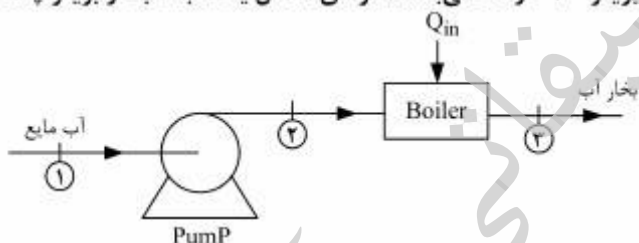
(۳) سیکل رانکین با افزایش دما و فشار بویلر (۴) سیکل رانکین با چند بازتولید متوالی

۷۵- در یک نیروگاه حرارتی آب به وسیله یک پمپ آدیاباتیک با کار مصرفی  $W_p = 8 \text{ kJ / kg}$  مطابق شکل زیر به بویلر

Boiler (مولد بخار) پمپ می‌شود. آنتالپی ویژه آب مایع ورودی به پمپ  $h_1 = 142 \text{ kJ / kg}$  و آنتالپی بخار آب

خروجی از بویلر  $h_3 = 3250 \text{ kJ / kg}$  و بازدهی بویلر ۹۰ درصد می‌باشد. گرمای انتقال یافته به آب در بویلر چند

$\text{kJ / kg}$  خواهد بود؟



(۱)  $3750$

(۲)  $3100$

(۳)  $2790$

(۴)  $2350$

۷۶- در سیکل تبرید کارنو (Carnot Refrigerator)، برای افزایش ضریب تولید  $COP_c$ ، روش مؤثر کدام است؟

(۱) افزایش  $T_L$  با ثابت نگهداشتن  $T_H$  (۲) کاهش  $T_H$  با ثابت نگهداشتن  $T_L$

(۳) افزایش  $T_H$  با کاهش  $T_L$  (۴) کاهش  $T_H$  با افزایش  $T_L$

۷۷- هوا در یک سیکل ترمودینامیکی در یک سیستم بسته تحت چهار تحول زیر قرار می‌گیرد.

(الف) تراکم بی‌دررو و برگشت‌پذیر از فشار  $100 \text{ kPa}$  تا فشار  $2 \text{ MPa}$  که درجه حرارت به  $450^\circ \text{C}$  می‌رسد.

(ب) تحت فشار ثابت، به گاز  $2500 \text{ kJ / kg}$  گرما وارد می‌شود.

(ج) در حالت حجم ثابت از آن حرارت گرفته می‌شود تا فشار به  $100 \text{ kPa}$  برسد.

(د) انتقال حرارت در این فرایند در فشار ثابت صورت می‌گیرد تا به شرایط اولیه می‌رسد.

اگر برای هوا  $C_p = 1 \frac{\text{kJ}}{\text{kgK}}$ ،  $C_v = 0.713 \frac{\text{kJ}}{\text{kgK}}$  باشد، حداکثر دما در این فرایند چند  $\text{K}$  است.

(۱)  $3351$

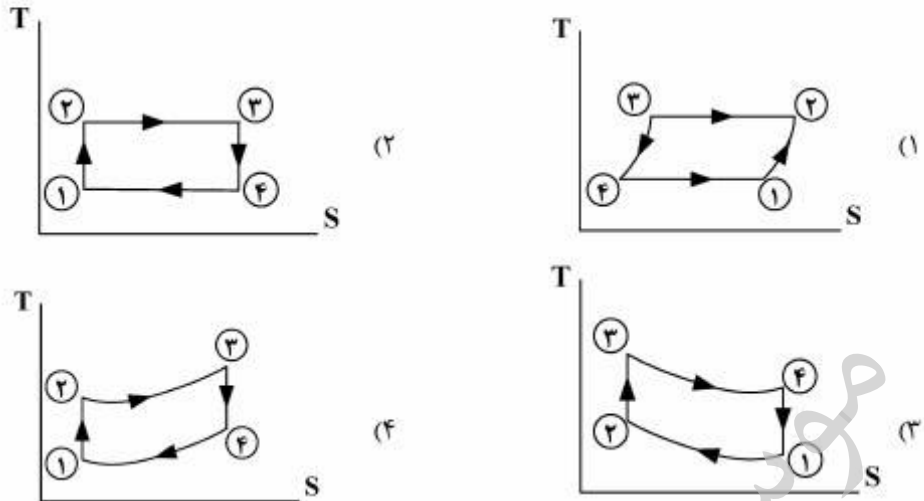
(۲)  $3300$

(۳)  $3223$

(۴)  $3162$



۷۸- کدام یک، نمودار دما - آنترپپی سیکل قدرت دیزل (Desel Engine) (با فرایندهای برگشت پذیر) می باشد؟



۷۹- هوا تحت دمای  $300\text{K}$  و سرعت  $20\text{m/s}$  وارد یک شیپوره می شود و تحت دمای  $300\text{K}$  از شیپوره خارج می گردد.

سرعت خروجی هوا از شیپوره چند  $\text{m/s}$  است؟ (گرمای ویژه هوا  $C_p = 1\text{kJ/kgK}$  است.)

- (۱)  $17/3$  (۲)  $22/8$  (۳)  $32/8$  (۴)  $44/8$

۸۰- یک دستگاه سیلندر - پیستون حاوی مقداری گاز تحت شرایط اولیه معین  $(P_1, V_1)$  است. این گاز در دو نوبت جداگانه

از حالت اولیه یکسان به طور برگشت پذیر انبساط می یابد. در نوبت اول (فرایند A) به طور آدیباتیک طبق رابطه

$PV^K = \text{Const}$  و در نوبت دوم به طور پلی تروپیک طبق رابطه  $PV^n = \text{Const}$  تغییر حالت صورت می پذیرد (

$n < K$  و هر دو مثبت هستند). در مورد کار فرایندها، گزینه درست کدام است؟

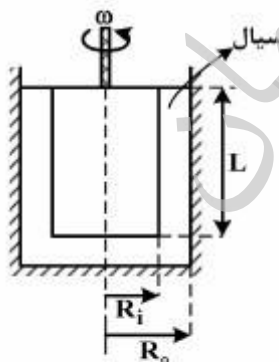
$W_A = (K - n)W_B$  (۲)  $W_A < W_B$  (۱)

$W_A = \left(\frac{K-1}{n-1}\right)W_B$  (۴)  $W_A > W_B$  (۳)

مکانیک سیالات و انتقال حرارت:

۸۱- از یک ویسکومتر مطابق شکل زیر برای اندازه گیری ویسکوزیته سیال استفاده می شود. توان مورد نیاز برای

چرخاندن استوانه مرکزی آن، کدام است؟  $(L \gg R_i, R_o)$



$\frac{R_i^2 \mu \omega}{R_o - R_i}$  (۱)

$\frac{2\pi R_i^2 L \mu \omega^2}{R_o - R_i}$  (۲)

$\frac{2\pi R_i^2 L \mu \omega}{R_o - R_i}$  (۳)

$\frac{R_i^2 L \mu \omega}{R_o - R_i}$  (۴)

۸۲- دبی عبوری از لوله روبه‌رو، چند متر مکعب بر ثانیه است؟ ( $g = 10 \frac{m}{s^2}$ )

(۱)  $2\pi$

(۲)  $\frac{\pi}{2} D^2$

(۳)  $2\pi D$

(۴)  $\frac{\pi}{200}$

۸۳- اگر فشار هوای درون مخزن  $0.5 \text{ psi}$  و وزن مخصوص سیال داخل آن  $72 \frac{lb}{ft^3}$  باشد و بخواهیم فشار نقطه A برابر با  $1 \text{ psi}$  شود، مقدار Z چقدر باید باشد؟ ( $\gamma_{water} \approx 62 \frac{lb}{ft^3}$ )

(۱)  $1/2 \text{ in}$

(۲)  $3 \text{ in}$

(۳)  $1/2 \text{ ft}$

(۴)  $3 \text{ ft}$

۸۴- آب توسط یک پمپ با فشار به داخل مخزن مطابق شکل تزریق می‌شود. آب درون مخزن به کمک دریچه دایره‌ای شکل که حول محور A-A لولا شده، نگه داشته شده است. نیروی وارد بر دریچه در نقطه B چقدر است؟

(دایره  $I_{xc} = \frac{\pi R^4}{4}$ )

(۱)  $\frac{\gamma \pi R^3}{8}$

(۲)  $\gamma \frac{\pi}{2} R^3$

(۳)  $\gamma \frac{\pi}{4} R^3$

(۴)  $\pi \gamma R^3$

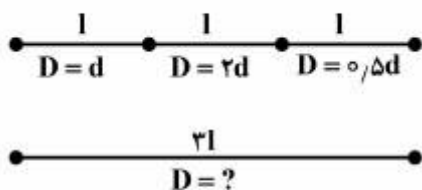
۸۵- در درون یک لوله و با استفاده از معادله هیگن - پویزلی (Hagen-Poiseuille)، کدام مورد همواره قابل محاسبه است؟

- (۱) افت فشار اصطکاکی عبور یک سیال نیوتنی با جریان آشفته درون یک خط لوله افقی
- (۲) افت فشار اصطکاکی عبور یک سیال نیوتنی با جریان آرام
- (۳) افت فشار هیدرواستاتیکی یک سیال با جریان آرام
- (۴) افت فشار هیدرواستاتیکی یک سیال با جریان آشفته

۸۶- هنگامی که یک لوله موئین به قطر ۲ mm درون مایعی قرار می‌گیرد، به میزان ۱۰ mm در آن بالا می‌رود. اگر زاویه تماس ۶۰ درجه و وزن مخصوص سیال  $\frac{N}{m^3}$  باشد، کشش سطحی سیال چند  $\frac{N}{m}$  است.

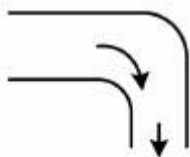
$$\begin{aligned} (1) & \frac{0.15}{\sqrt{3}} \\ (2) & \frac{3}{\sqrt{3}} \\ (3) & \sqrt{3} \\ (4) & 0.15 \end{aligned}$$

۸۷- می‌خواهیم سه لوله سری مطابق شکل را با یک لوله به طول مجموع سه لوله و با قطر ثابت جایگزین کنیم، به طوریکه همان دبی و افت فشار حاصل گردد. اگر ضریب اصطکاک برای لوله‌های سری و لوله جدید برابر باشد، قطر لوله جدید برابر کدام است؟



$$\begin{aligned} (1) & \approx \frac{d}{\sqrt{11}} \\ (2) & \approx \frac{d}{\sqrt{33}} \\ (3) & \approx \frac{d}{\sqrt{3}} \\ (4) & \approx \sqrt{33}d \end{aligned}$$

۸۸- میزان نیروی افقی مورد نیاز برای نگهداری زانوی ۹۰ درجه در فشار اتمسفریک در شرایط پایا، چند نیوتن است؟ اندازه سطح ورودی زانو  $0.1m^2$ ، سطح خروجی آن  $0.005m^2$  و فشار مطلق در ورود به لوله ۲۰۱ kPa می‌باشد. چگالی آب  $1000 \frac{kg}{m^3}$  است و آب با سرعت  $1 \frac{m}{s}$  در خروج از زانو به اتمسفر، تخلیه می‌گردد.



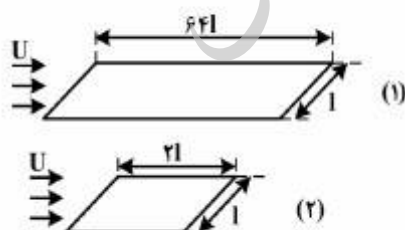
$$\begin{aligned} (1) & 997.5 \\ (2) & 1002.5 \\ (3) & 2007.5 \\ (4) & 2012.5 \end{aligned}$$

۸۹- یک مخزن مستطیلی شکل روباز به ارتفاع ۱.۵ m، طول ۲ m و عرض ۱ m از آب تا ارتفاع ۱ m پر شده است. بیشترین شتاب افقی در هر جهت که مخزن می‌تواند داشته باشد بدون اینکه آب از مخزن بیرون بریزد، کدام است؟

$$(g = 9.8 \frac{m}{s^2})$$

$$\begin{aligned} (1) & 2.45 \\ (2) & 4.9 \\ (3) & 9.8 \\ (4) & 19.6 \end{aligned}$$

۹۰- برای دو صفحه تخت زیر نسبت نیروهای درگ ۱۶ می‌باشد. در این حالت گزینه درست، کدام است؟



- (۱) جریان آرام است.
- (۲) جریان در حالت گذار است.
- (۳) جدایش رخ داده است.
- (۴) جریان متلاطم است.

۹۱- یک گلوله مسی به قطر ۳ سانتی‌متر و یک مکعب مسی به ضلع ۳ سانتی‌متر را در نظر بگیرید. اگر هر دو جسم از دمای اولیه  $T_0$  در محیطی با دمای  $T_\infty$  و ضریب انتقال حرارت  $h$  شروع به سرد شدن نمایند و دمای نهایی هر دو جسم یکسان در نظر گرفته شود:

(۱) گلوله مسی سریع‌تر از مکعب مسی سرد می‌شود.

(۲) مکعب مسی سریع‌تر از گلوله مسی سرد می‌شود.

(۳) در مورد زمان سرد شدن آن‌ها نمی‌توان اظهار نظر نمود.

(۴) هر دو جسم هم‌زمان سرد می‌شوند.

۹۲- یک طرف دیواری مسطح در دمای  $100^\circ\text{C}$  و سمت دیگر در محیطی با شرایط جابه‌جایی در دمای  $10^\circ\text{C}$  و

$h = 11 \frac{\text{W}}{\text{m}^2 \cdot ^\circ\text{C}}$  قرار دارد. دیوار دارای ضریب هدایت حرارتی برابر  $\frac{1}{6} \frac{\text{W}}{\text{m} \cdot ^\circ\text{C}}$  بوده و ضخامت آن  $40$  سانتی‌متر

می‌باشد. شدت انتقال حرارت از دیوار برابر چند  $\frac{\text{W}}{\text{m}^2}$  است؟

(۱)  $-36/6$

(۲)  $-30$

(۳)  $257$

(۴)  $264$

۹۳- در انتقال حرارت به سیالی که به شکل آرام از داخل لوله‌ای عبور می‌نماید، مقدار عدد ناسلت  $Nu$ ، چگونه است؟

(۱) در هر دو حالت دیواره هم‌دمای و شار حرارتی ثابت، مقدار ثابتی است.

(۲) در حالت دیواره هم‌دمای تابع  $Re$  و در شار حرارتی ثابت، تابع  $Pr$  می‌باشد.

(۳) در حالت دیواره هم‌دمای تابع  $Pr$  و در شار حرارتی ثابت تابع  $Re$  می‌باشد.

(۴) در هر دو حالت دیواره هم‌دمای و شار حرارتی ثابت تابع  $PrRe$  می‌باشد.

۹۴- هوا در دمای محیط و فشار اتمسفری از روی یک سطح به صورت آرام در جریان است. اگر دمای صفحه ثابت باشد و

تغییرات ضریب انتقال حرارت موضعی بر اساس رابطه زیر محاسبه گردد.

$$Nu_x = CR_x^m Pr^n$$

رابطه بین ضریب انتقال حرارت موضعی « $h$ » در فاصله  $2x$  نسبت به همین ضریب در فاصله  $x$  از لبه صفحه، چگونه است؟

$$h_{2x} = 2h_x \quad (1)$$

$$h_{2x} = \frac{1}{2} h_x \quad (2)$$

$$h_{2x} = \frac{1}{\sqrt{2}} h_x \quad (3)$$

$$h_{2x} = \sqrt{2} h_x \quad (4)$$

۹۵- ضخامت لایه مرزی حرارتی در شرایط جریان آرام، به کدام گروه بدون بعد، بستگی دارد؟

(۱)  $Gr$  و  $Pr$

(۲)  $Re$  و  $Pr$

(۳)  $Pr$

(۴)  $Re$

۹۶- پره مکعب مستطیل شکلی که طول بسیار بلندی دارد و سطح مقطع آن ثابت است؛ جهت اندازه گرفتن ضریب هدایتی به کار گرفته شده است. درجه حرارت روی این پره در فاصله  $x_1$  برابر  $(\theta_1 = T_1 - T_\infty)$  و در فاصله  $x_2$  برابر  $(\theta_2 = T_2 - T_\infty)$  می‌باشد. اگر محیط پره  $P$ ، دمای محیط  $T_\infty$ ، سطح مقطع  $A$  و ضریب جابه‌جایی  $h$  باشد، معادله ضریب هدایتی، کدام است؟

$$k = \frac{hp(x_1 - x_2)}{A \ln \frac{\theta_1}{\theta_2}} \quad (2) \qquad k = \frac{hp \ln \frac{\theta_1}{\theta_2}}{A(x_2 - x_1)} \quad (1)$$

$$k = \frac{hp(x_2 - x_1)^2}{A \left[ \ln \frac{\theta_1}{\theta_2} \right]^2} \quad (4) \qquad k = \frac{hp \ln \left( \frac{\theta_1}{\theta_2} \right)^2}{A(x_2 - x_1)^2} \quad (3)$$

۹۷- یک پره حلقوی با ضریب هدایتی  $k$  روی لوله‌ای نصب شده است. اگر انتقال حرارت فقط در جهت شعاعی بوده و گرما به محیط با  $T_\infty$  و ضریب جابه‌جایی  $h$  منتقل شود. گزینه درست، کدام است؟  
 (۱) شار حرارتی با افزایش شعاع افزایش می‌یابد، زیرا با افزایش شعاع مقدار انتقال گرمای جابه‌جایی افزایش و انتقال گرمای هدایتی کاهش می‌یابد.  
 (۲) شار حرارتی افزایش می‌یابد، زیرا با افزایش شعاع، انتقال گرمای هدایتی افزایش و انتقال گرمای جابه‌جایی نیز افزایش می‌یابد.

(۳) شار حرارت کاهش می‌یابد، زیرا با افزایش شعاع، انتقال گرمای هدایتی افزایش می‌یابد.

(۴) شار حرارتی ثابت می‌ماند، زیرا افزایش شعاع در مقدار انتقال حرارت بی‌تأثیر است.

۹۸- یک قطعه آهن و یک قطعه چوب از لحاظ اندازه و شکل یکسان هستند. آهن تحت دمای  $120^\circ\text{C}$  و چوب تحت دمای  $160^\circ\text{C}$  قرار گرفته است. اگر قطعه آهن و قطعه چوب توسط دست لمس گردند، کدام بیشتر دست را می‌سوزاند و چرا؟

(۱) قطعه آهن، زیرا ضریب نفوذ گرمایی آن بیشتر است.

(۲) قطعه آهن، زیرا گرمای ویژه آن بیشتر است.

(۳) قطعه چوب، زیرا دمای آن بیشتر است.

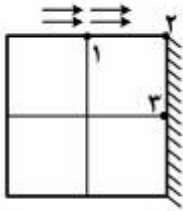
(۴) قطعه آهن، زیرا دانسیته آن بیشتر است.

۹۹- مخروط ناقصی که سطح جانبی آن ایزوله شده است، دارای قاعده‌های  $D_1$  و  $D_2$  و طولی برابر  $L$  می‌باشد. اگر دمای قاعده‌های آن به ترتیب  $T_1$  و  $T_2$  باشد، معادله دیفرانسیل هدایتی آن، کدام است؟

$$\frac{dT}{dx} + \frac{x}{2} \frac{d^2T}{dx^2} \quad (2) \qquad \frac{1}{x} \frac{dT}{dx} + \frac{d^2T}{dx^2} \quad (1)$$

$$x \frac{dT}{dx} + 2 \frac{d^2T}{dx^2} \quad (4) \qquad x \frac{dT}{dx} + \frac{d^2T}{dx^2} \quad (3)$$

۱۰۰- در دیوار زیر، دمای گره‌های ۱ و ۳ با هم برابرند ( $T_1 = T_3 = 55^\circ\text{C}$ ) و سطح بالا با محیطی که ضریب جابه‌جایی آن  $h = 100 \frac{\text{W}}{\text{m}^2\text{C}}$  و دما  $T_\infty = 20^\circ\text{C}$  می‌باشد در تماس است. اگر ضریب هدایتی دیوار  $k = 2 \frac{\text{W}}{\text{m}^2\text{C}}$  و  $\Delta x = \Delta y = 10 \text{ cm}$  باشد، درجه حرارت گره ۲ چند  $^\circ\text{C}$  است؟



۲۸ (۱)

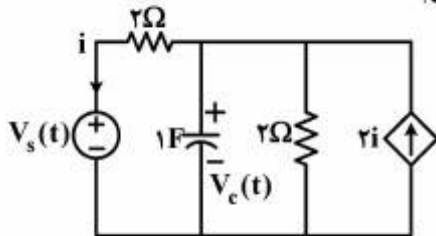
۳۰ (۲)

۳۵ (۳)

۴۵ (۴)

مدارهای الکتریکی ۱ و ۲:

۱۰۱- در مدار روبه‌رو، پاسخ ضربه ولتاژ دو سر خازن  $V_c(t)$  برابر کدام است؟



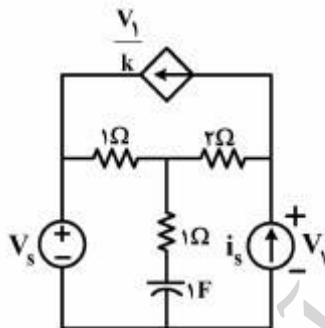
(۱)  $-\infty \delta(t)$

(۲)  $-\infty \delta u(t)$

(۳)  $-\infty \delta u(t) - \infty \delta t \delta(t)$

(۴)  $-\infty \delta t u(t)$

۱۰۲- اگر فرکانس طبیعی مدار زیر برابر  $\frac{1}{3}$  باشد، مقدار ثابت  $k$  چقدر است؟



(۱) -۴

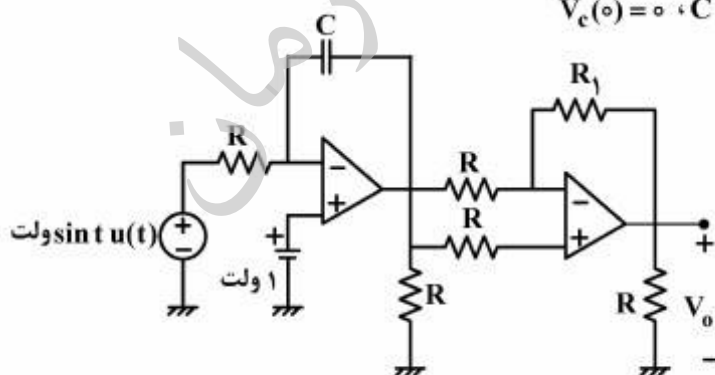
(۲) -۲

(۳) ۲

(۴) ۴

۱۰۳- در مدار زیر ولتاژ خروجی  $V_0(t)$  برای  $t \geq 0$  چند ولت است؟ تقویت‌کننده‌های عملیاتی را ایدئال فرض کنید.

$V_c(0) = 0, C = 1000 \mu\text{F}, R_1 = 5 \text{ k}\Omega, R = 1 \text{ k}\Omega$



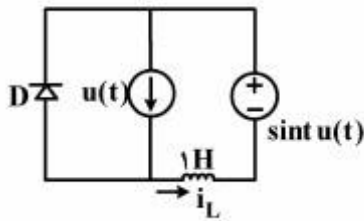
(۱)  $-1 + t + \cos t$

(۲) صفر

(۳)  $t + \cos t$

(۴)  $-\delta + \delta t + \delta \cos t$

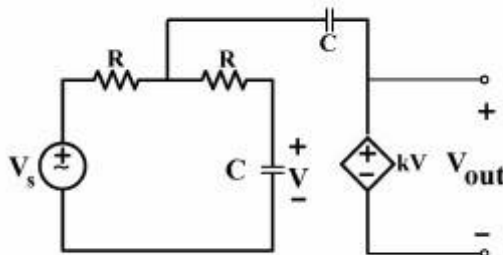
۱۰۴- در مدار روبه‌رو، جریان  $i_L$  در  $t = \frac{\pi}{4}$  چند آمپر است؟ دیود D ایدئال و جریان اولیهٔ سلف، صفر می‌باشد.



$(i_L(0) = 0)$

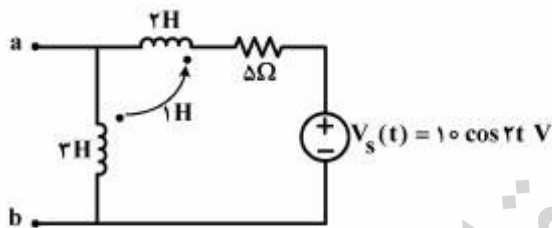
- (۱)  $1 - \frac{\sqrt{2}}{2}$
- (۲) ۰
- (۳)  $\frac{\sqrt{2}}{2}$
- (۴) ۱

۱۰۵- به ازای کدام مقدار k، مدار زیر نوسان دائم خواهد داشت؟



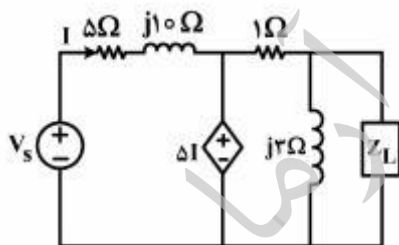
- (۱) ۱
- (۲) ۲
- (۳) ۳
- (۴) ۴

۱۰۶- امپدانس بین سرهای a, b در مدار زیر برحسب اهم کدام است؟



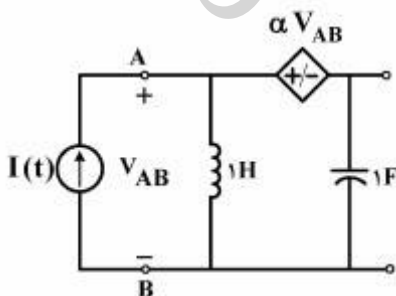
- (۱)  $\frac{10 + 8j}{5 + 14j}$
- (۲)  $\frac{10}{5 + 14j}$
- (۳)  $\frac{-20 + 30j}{5 + 14j}$
- (۴)  $\frac{8j}{5 + 14j}$

۱۰۷- در مدار زیر، امپدانس  $Z_L$  برحسب اهم چقدر باشد تا حداکثر توان متوسط منبع  $V_s$  به آن انتقال داده شود؟



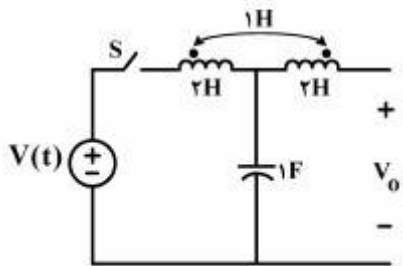
- (۱)  $0.3 - 0.9j$
- (۲)  $0.3 + 0.9j$
- (۳)  $0.9 - 0.3j$
- (۴)  $0.9 + 0.3j$

۱۰۸- با توجه به مدار زیر، به ازای چه مقادیری از  $\alpha$ ، بار دو سر B, A تمامی فرکانس‌ها از دید منبع جریان، سلفی خواهد بود؟ مدار در حالت دائمی سینوسی است.



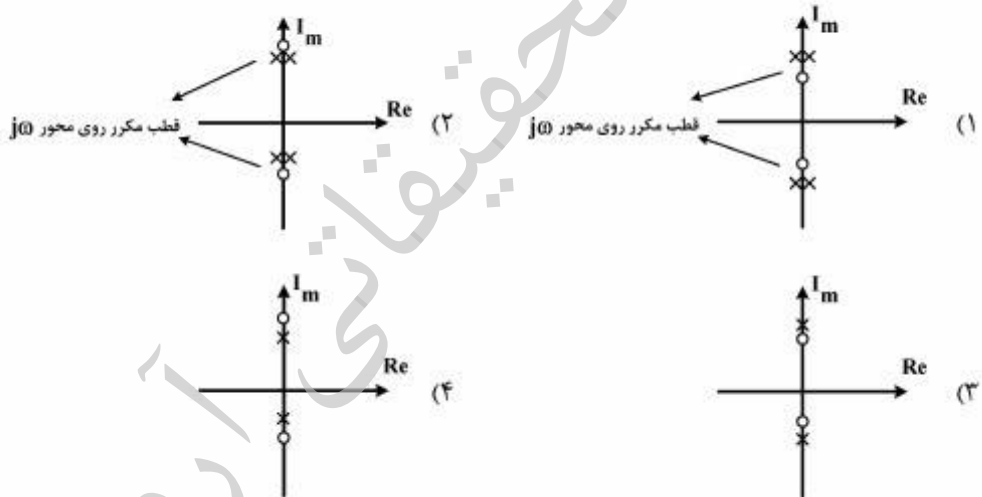
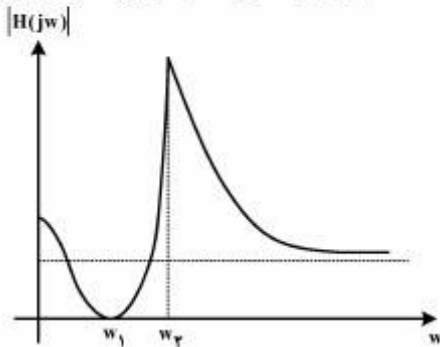
- (۱)  $\alpha < 0$
- (۲)  $\alpha < 1$
- (۳)  $\alpha > 0$
- (۴)  $\alpha > 1$

۱۰۹- در مدار زیر کلید S در لحظه  $t = 0$  بسته می‌شود. با فرض  $V(t) = \sin(t)u(t)$ ، مقدار  $\frac{dV_o}{dt}|_0^+$  کدام است؟ ولتاژ اولیه خازن صفر می‌باشد.



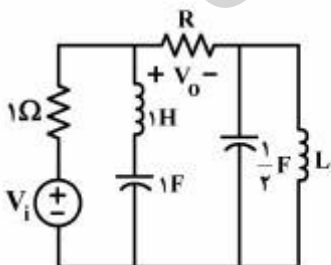
- (۱)  $-\frac{1}{2}$
- (۲)  $\frac{1}{2}$
- (۳) ۰
- (۴) ۱

۱۱۰- منحنی اندازه از پاسخ فرکانسی یک مدار به صورت زیر داده شده است. کدام آرایش صفر و قطب می‌تواند برای این مدار صحیح باشد؟



۱۱۱- برای مدار زیر تابع شبکه روبه‌رو، داده شده است.

$$H(s) = \frac{V_o(s)}{V_i(s)} = \frac{s^2 + as^2 + \Delta s^2 + bs + c}{3s^2 + \Delta s^2 + 19s^2 + \lambda s + 12}$$



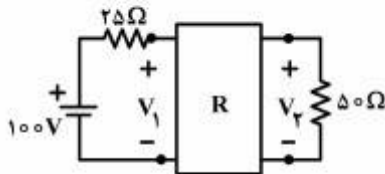
مقادیر مجهول a و b و c کدام است؟

- (۱)  $(a, b, c) = (1, 1, 3)$
- (۲)  $(a, b, c) = (0, 0, 4)$
- (۳)  $(a, b, c) = (1, 0, 3)$
- (۴)  $(a, b, c) = (0, 1, 4)$



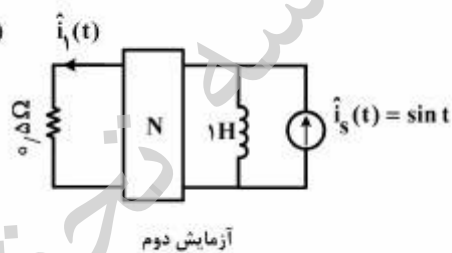
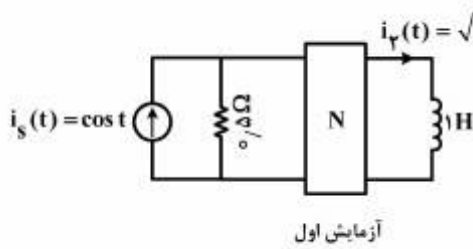
۱۱۲- در مدار زیر اگر پارامترهای ادمیتانس دو قطبی R بر حسب میلی زمینس به صورت زیر باشد، ولتاژ ورودی  $V_1$  چند ولت است؟

$$y = \begin{bmatrix} 10 & -5 \\ 50 & 20 \end{bmatrix}$$



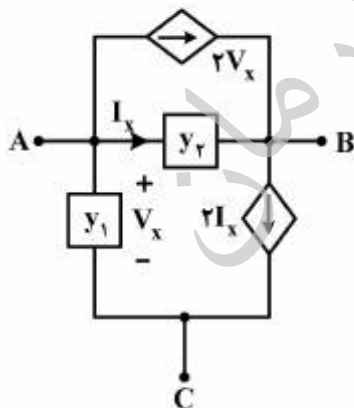
- (۱)  $\frac{480}{9}$
- (۲)  $\frac{480}{7}$
- (۳)  $\frac{640}{9}$
- (۴)  $\frac{640}{7}$

۱۱۳- دو آزمایش زیر روی شبکه RLC خطی و تغییر ناپذیر با زمان N انجام شده است. مقدار  $\hat{i}_1(t)$  در حالت دائمی سینوسی در آزمایش دوم چقدر است؟

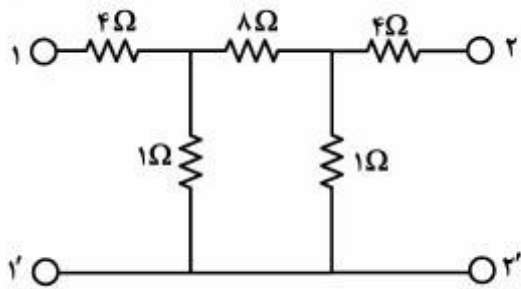


- (۱)  $2\sqrt{2} \sin(t + 30^\circ)$
- (۲)  $2\sqrt{2} \sin(t - 30^\circ)$
- (۳)  $2\sqrt{2} \cos(t + 30^\circ)$
- (۴)  $2\sqrt{2} \cos(t - 30^\circ)$

۱۱۴- در مدار سه سر زیر فرض کنید سر B زمین شود و یک دو قطبی به دست آید که سرهای A و B آن قطب ۱، ۱' و سرهای B, C آن قطب ۲، ۲' باشد. پارامترهای Y این دو قطبی، کدام است؟



- (۱)  $\begin{bmatrix} y_1 + y_2 - 2 & -y - 2 \\ y_1 - 2y_2 & y_1 \end{bmatrix}$
- (۲)  $\begin{bmatrix} y_1 + y_2 + 2 & -y_1 + 2 \\ -y_1 - 2y_2 & y_1 \end{bmatrix}$
- (۳)  $\begin{bmatrix} y_1 + y_2 - 2 & -y - 2 \\ -y_1 - 2y_2 & y_1 \end{bmatrix}$
- (۴)  $\begin{bmatrix} y_1 + y_2 + 2 & -y - 2 \\ -y_1 - 2y_2 & y_1 \end{bmatrix}$



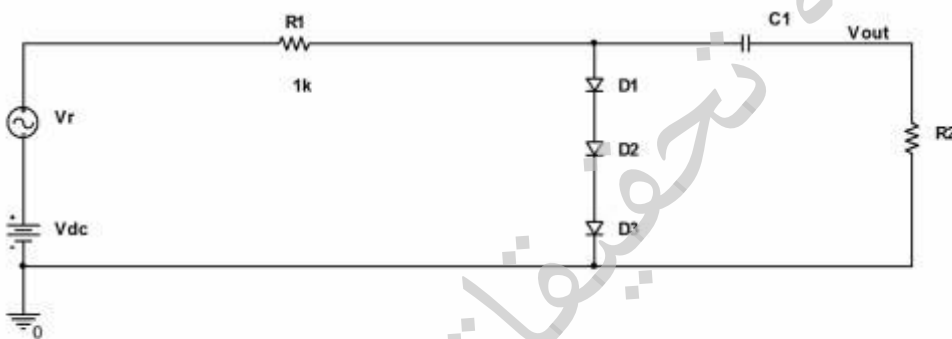
۱۱۵- ماتریس انتقال (T) دو قطبی زیر، کدام است؟

- (۱)  $\begin{bmatrix} 49 & 240\Omega \\ 10\Omega & 49 \end{bmatrix}$
- (۲)  $\begin{bmatrix} 49 & 84\Omega \\ 60\Omega & 49 \end{bmatrix}$
- (۳)  $\begin{bmatrix} 71 & 84\Omega \\ 60\Omega & 71 \end{bmatrix}$
- (۴)  $\begin{bmatrix} 71 & 240\Omega \\ 10\Omega & 71 \end{bmatrix}$

الکترونیک ۱ و ۲:

۱۱۶- در شکل زیر  $V_{out} = 19 \sin \omega t$  میلی ولت و  $V_r = 0.5 \sin \omega t$  ولت است. ولتاژ  $V_{dc}$ ، نزدیک به چند ولت می‌باشد؟ (برای  $C_1$  و  $R_2$  مقادیر بزرگ فرض شوند و دیودها مشابه و برای آنها مقادیر زیر در نظر گرفته شوند)

( $k = 1.38 \times 10^{-23}$  Jouls / Kelvin,  $T = 25^\circ$  C,  $q = 1.6 \times 10^{-19}$  Coulomb,  $V_D = 0.7$  V,  $n = 2$ )

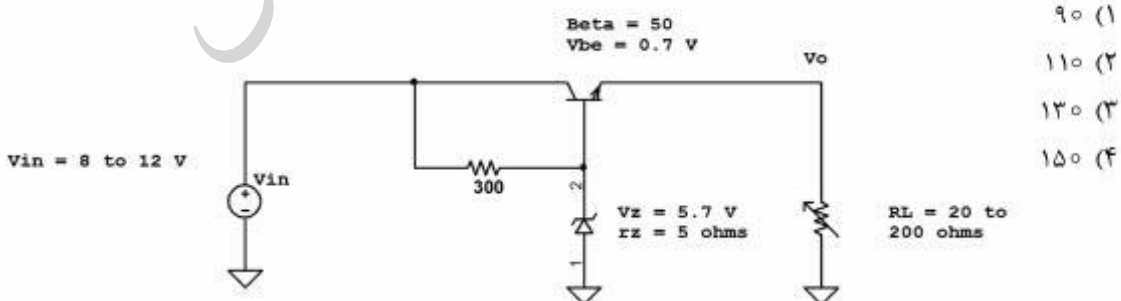


- ۳ (۱)
- ۴ (۲)
- ۵ (۳)
- ۶ (۴)

۱۱۷- ولتاژ خروجی مستقیم (dc) در یکسوساز تمام موج که از دو دیود و یک ترانسفرمر با سر وسط استفاده می‌کند، ۳۰ ولت است. حداکثر ولتاژ معکوس (PIV) مورد نیاز برای دیودها، نزدیک به چند ولت است؟

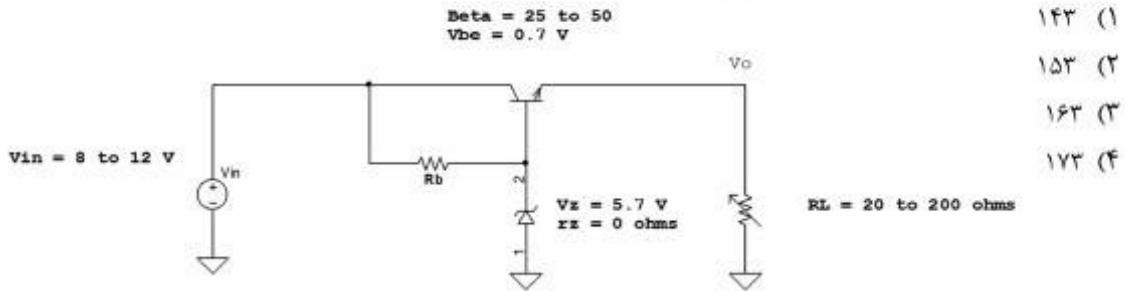
- ۹۴ (۱)
- ۶۰ (۲)
- ۴۷ (۳)
- ۳۰ (۴)

۱۱۸- در مدار رگولاتور ولتاژ زیر حد اکثر تغییرات ولتاژ خروجی رگولاتور، نزدیک به چند میلی ولت است؟



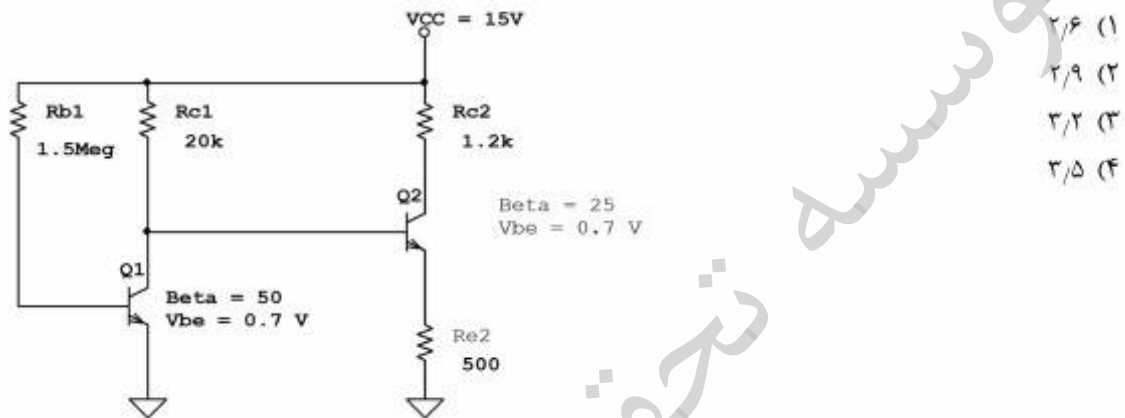
- ۹۰ (۱)
- ۱۱۰ (۲)
- ۱۳۰ (۳)
- ۱۵۰ (۴)

۱۱۹- در مدار رگولاتور ولتاژ زیر مقدار بهینه  $R_B$ ، نزدیک به چند اهم است؟



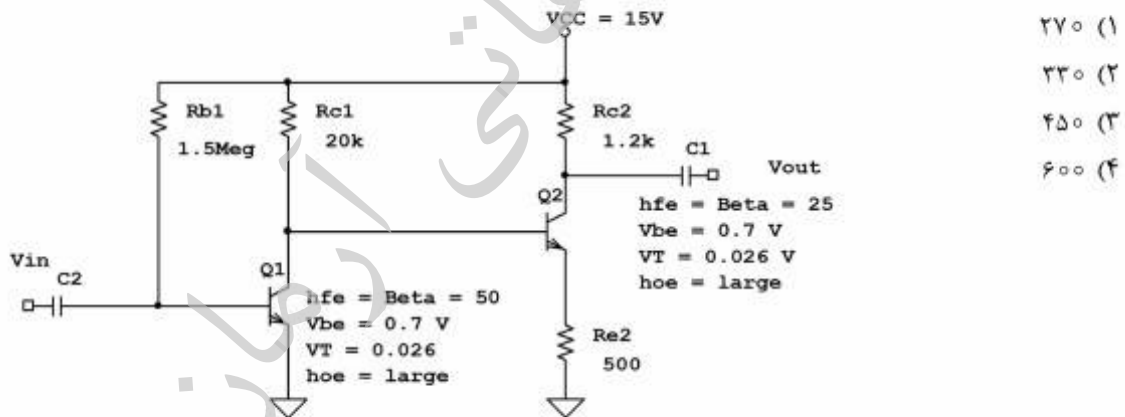
- (۱) ۱۴۳
- (۲) ۱۵۳
- (۳) ۱۶۳
- (۴) ۱۷۳

۱۲۰- در مدار زیر ولتاژ  $V_{CE1}$  ترانزیستور  $Q_1$ ، نزدیک به چند ولت است؟



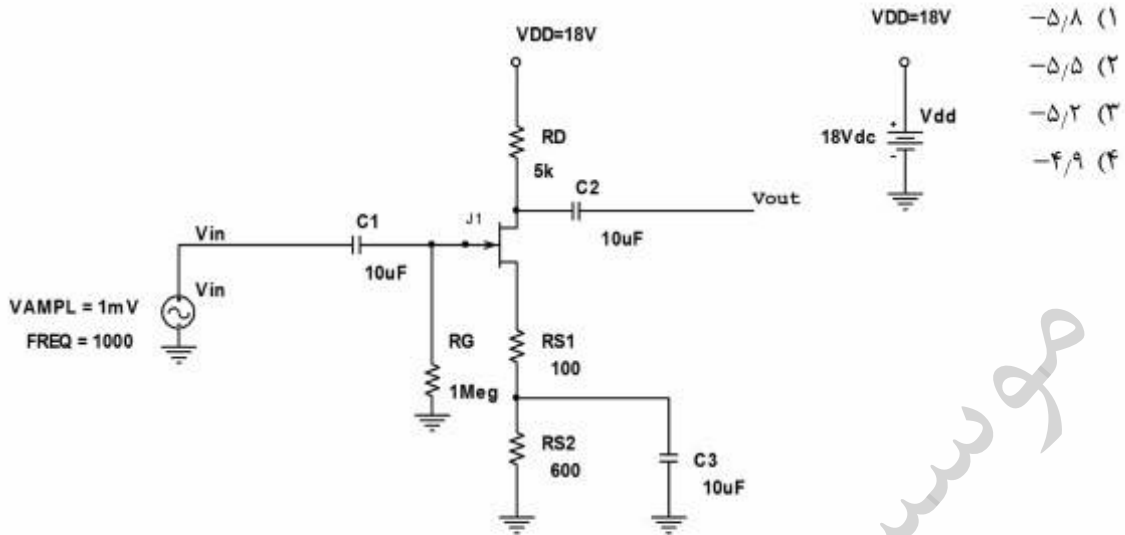
- (۱) ۲٫۶
- (۲) ۲٫۹
- (۳) ۳٫۲
- (۴) ۳٫۵

۱۲۱- در مدار زیر بهره ولتاژ  $V_g = V_{out} / V_{in}$ ، به کدام یک از مقادیر زیر نزدیک است؟ مقادیر خازن‌ها بزرگ فرض شوند.

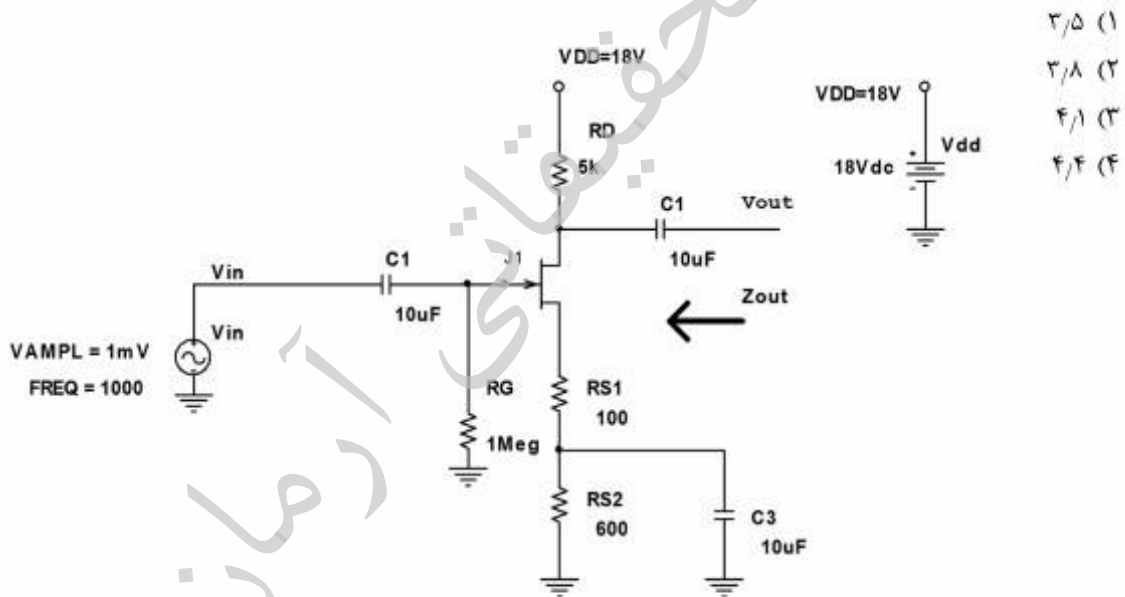


- (۱) ۲۷۰
- (۲) ۳۳۰
- (۳) ۴۵۰
- (۴) ۶۰۰

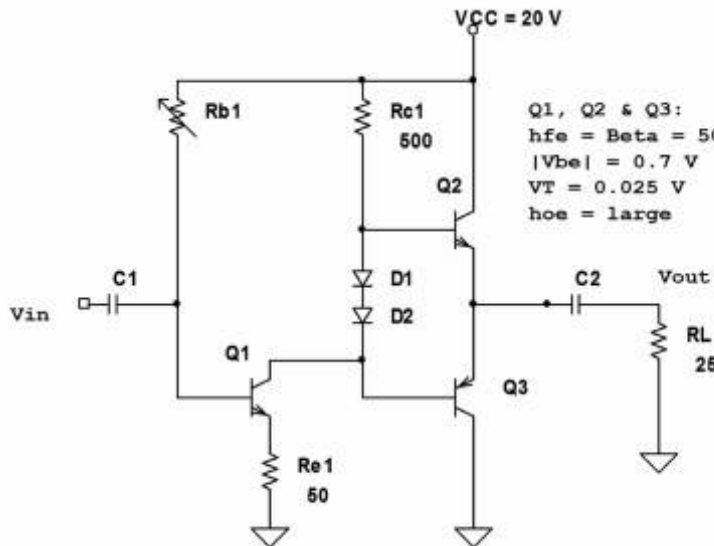
۱۲۲- مقدار بهره ولتاژ  $V_{out}/V_{in}$  در مدار زیر، به کدامیک از مقادیر زیر نزدیک می‌باشد؟ برای ترانزیستور فرض شود. ( $I_{DSS} = 5mA, V_p = -5V, r_d = 20k\Omega$ )



۱۲۳- مقدار امپدانس خروجی  $Z_{out}$  در مدار زیر، نزدیک به چند کیلو اهم می‌باشد؟ برای ترانزیستور فرض شود. ( $I_{DSS} = 5mA, V_p = -5V, r_d = 20k\Omega$ )

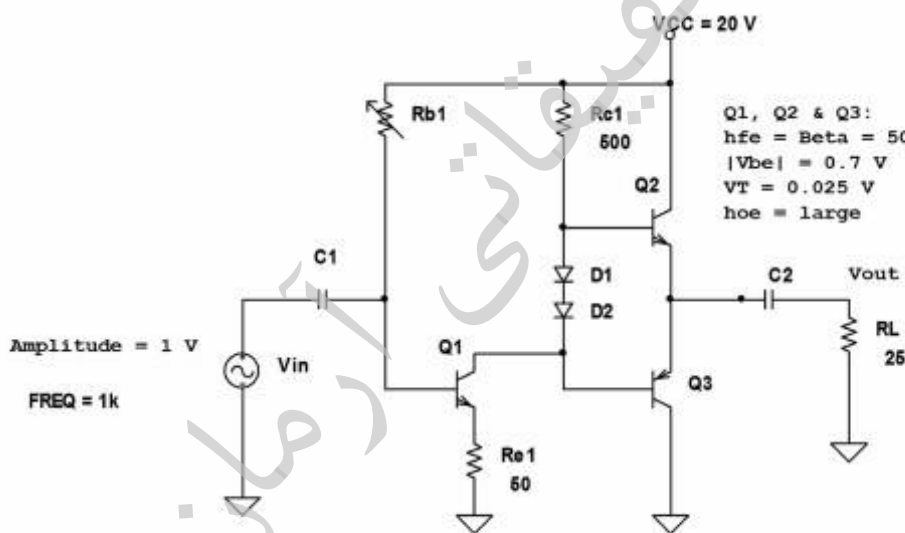


۱۲۴- مقدار بهره ولتاژ  $V_g = V_{out} / V_{in}$  در مدار زیر به کدام یک از مقادیر زیر نزدیک می‌باشد؟ ولتاژ  $V_T$  جهت دیودهای  $D_1$  و  $D_2$  (جبران‌ساز حرارتی ترانزیستورهای مکمل و متقارن  $Q_2$  و  $Q_3$ ) برابر با  $0.75V$  است. با تغییر مقاومت  $R_{b1}$  ولتاژ امپتورهای  $Q_2$  و  $Q_3$  برابر با  $10V$  تنظیم می‌شود. خازن‌ها بزرگ فرض شوند.



- ۵٫۷ (۱)
- ۶٫۷ (۲)
- ۹٫۷ (۳)
- ۱۱٫۷ (۴)

۱۲۵- بازده توان در آمپلی‌فایر قدرت کلاس AB زیر به کدام یک از مقادیر زیر نزدیک می‌باشد؟ ولتاژ  $V_T$  جهت دیودهای  $D_1$  و  $D_2$  (جبران‌ساز حرارتی ترانزیستورهای مکمل و متقارن  $Q_2$  و  $Q_3$ ) برابر با  $0.75V$  است. با تغییر مقاومت  $R_{b1}$  ولتاژ امپتورهای  $Q_2$  و  $Q_3$  برابر با  $10V$  تنظیم می‌شود. خازن‌ها بزرگ فرض شوند.



- ۴۳ (۱)
- ۵۸ (۲)
- ۶۸ (۳)
- ۷۸ (۴)

۱۲۶- دو ترانزیستور مکمل و متقارن یک آمپلی فایر قدرت کلاس B که با یک منبع  $V_{cc} = ۳۹/۸V$  تغذیه می‌شود، بر روی یک خنک‌کننده نصب شده است. مقاومت بار  $R_L = ۴\Omega$  است. درجه حرارت ماکزیمم اتصال ترانزیستورها  $T_{Jmax} = ۱۵۰^{\circ}C$ ، مقاومت حرارتی بین اتصال هر ترانزیستور و بدنه آن  $R_{jc} = ۲^{\circ}C/W$  مقاومت حرارتی و اشرف میکا بین بدنه هر ترانزیستور و خنک‌کننده  $R_{cs} = ۱^{\circ}C/W$  و درجه حرارت محیط  $T_A = ۶۰^{\circ}C$  فرض شوند. حداکثر مقاومت حرارتی خنک‌کننده  $R_{sa}$ ، چند  $\frac{^{\circ}C}{W}$  می‌باشد؟

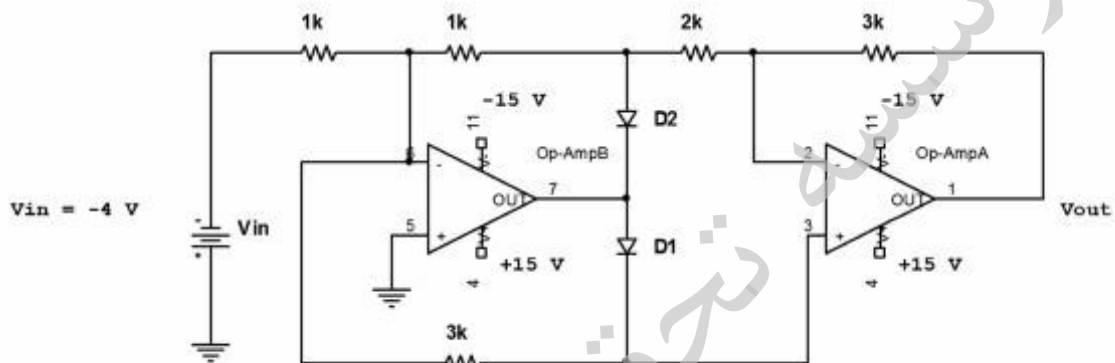
۲/۵ (۱)

۳ (۲)

۳/۵ (۳)

۴ (۴)

۱۲۷- ولتاژ  $V_{out}$  در مدار زیر، برابر با چند ولت می‌باشد؟



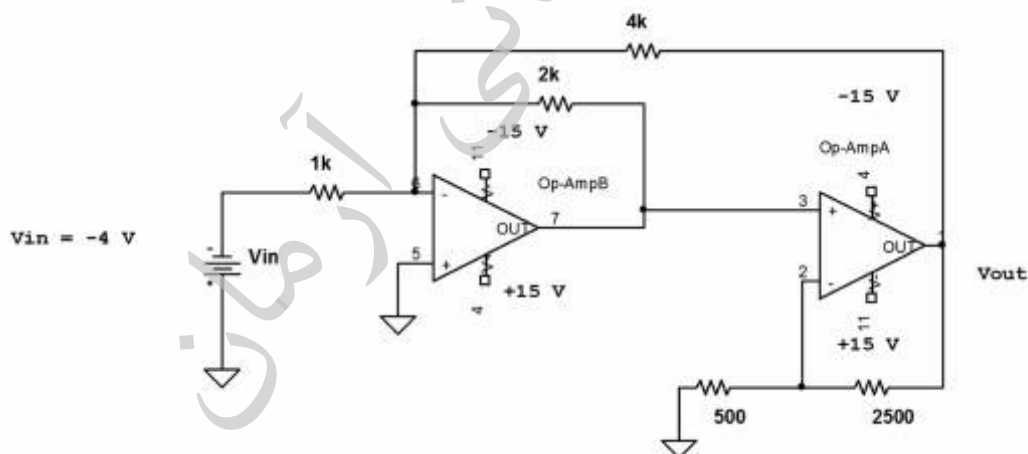
۱۲ (۴)

۱۱ (۳)

۱۰ (۲)

۹ (۱)

۱۲۸- ولتاژ  $V_{out}$  در مدار زیر، برابر با چند ولت می‌باشد؟



۲۱ (۴)

۱۸ (۳)

۱۵ (۲)

۱۲ (۱)

۱۲۹- ولتاژ خروجی یک یکسوساز نیم موج  $30\text{ V}$  و مقاومت بار آن  $200\ \Omega$  می باشد. خازن صافی آن  $1000\ \mu\text{F}$  است. در صد ضریب ریبیل ولتاژ، به کدام یک از گزینه های زیر نزدیک می باشد؟ ( $f = 50\ \text{Hz}$ )

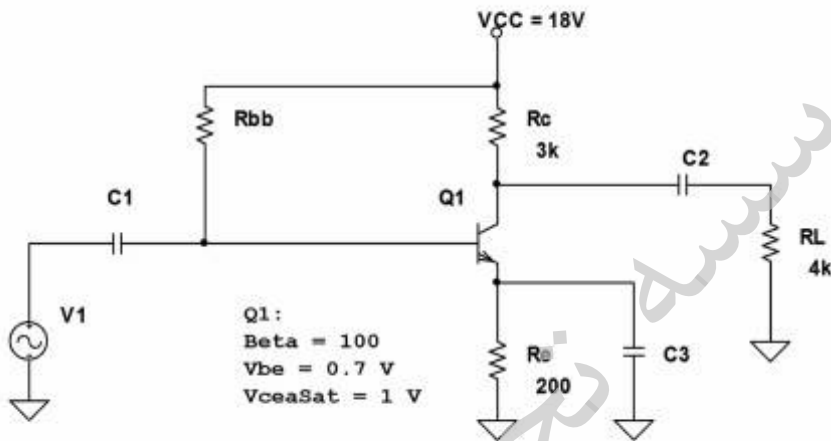
(۱)  $2/5$

(۲)  $2/7$

(۳)  $2/9$

(۴)  $3/1$

۱۳۰- حداکثر دامنه ولتاژ سینوسی خروجی  $V_M$  مدار زیر برای هر یک از مقادیر مقاومت:  $R_{bb} = 400\ \text{k}\Omega$  و  $R_{bb} = 500\ \text{k}\Omega$ ، برابر با چند ولت می باشد؟ (خازن ها بزرگ فرض شوند).



$V_{M_{\Delta 00}} = 5/7$  و  $V_{M_{f00}} = 7$  (۲)

$V_{M_{\Delta 00}} = 6/3$  و  $V_{M_{f00}} = 7$  (۴)

$V_{M_{\Delta 00}} = 6/3$  و  $V_{M_{f00}} = 3/8$  (۱)

$V_{M_{\Delta 00}} = 5/7$  و  $V_{M_{f00}} = 3/8$  (۳)

موسسه تحقیقاتی آرمان

موسسه تحقیقاتی آرمان