

کد کنترل

430

A



430A

نام:

نام خانوادگی:

محل امضا:

عصر جمعه

۹۶/۲/۸



«اگر دانشگاه اصلاح شود مملکت اصلاح می شود.»
امام خمینی (ره)

جمهوری اسلامی ایران
وزارت علوم، تحقیقات و فناوری
سازمان سنجش آموزش کشور

آزمون ورودی دوره های کارشناسی ارشد ناپوسته داخل - سال ۱۳۹۶

مهندسی مکانیک بیوسیستم - کد ۱۳۱۹

مدت پاسخگویی: ۱۶۵ دقیقه

تعداد سؤال: ۱۵۵

عنوان مواد امتحانی، تعداد و شماره سؤالات

ردیف	مواد امتحانی	تعداد سؤال	از شماره	تا شماره
۱	زبان عمومی و تخصصی (انگلیسی)	۳۰	۱	۳۰
۲	ریاضیات	۲۵	۳۱	۵۵
۳	استاتیک، دینامیک و مقاومت مصالح	۲۵	۵۶	۸۰
۴	طراحی اجزای ماشین و طراحی ماشین های کشاورزی	۲۵	۸۱	۱۰۵
۵	مکانیک سیالات و ترمودینامیک	۲۵	۱۰۶	۱۳۰
۶	ابزار اندازه گیری	۲۵	۱۳۱	۱۵۵

این آزمون نمره منفی دارد.

استفاده از ماشین حساب مجاز نیست.

حق چاپ، تکثیر و انتشار سؤالات به هر روش (الکترونیکی و ...) پس از برگزاری آزمون، برای تمامی اشخاص حقیقی و حقوقی تنها با مجوز این سازمان مجاز می باشد و با متخلفین برابر مقررات رفتار می شود.

PART A: Vocabulary

Directions: Choose the word or phrase (1), (2), (3), or (4) that best completes the blank. Then mark the correct choice on your answer sheet.

- 1- Working on the assembly line was ----- work because I did the same thing hour after hour.
1) efficacious 2) monotonous 3) momentous 4) erroneous
- 2- People are guilty of ----- when they make judgments before they know all of the facts.
1) illusion 2) arrogance 3) avarice 4) prejudice
- 3- Justin ----- himself from the embarrassing situation by pretending he had to make a telephone call.
1) extricated 2) extracted 3) exposed 4) expelled
- 4- He was accused of manipulating the financial records to cover his -----.
1) suspicion 2) scrutiny 3) fraud 4) paradox
- 5- Since the jungle was -----, we had to find an alternate route to the village.
1) permanent 2) vulnerable 3) redundant 4) impenetrable
- 6- Management refused to ----- the union's demands, so a strike costly to both sides occurred.
1) capitulate to 2) withdraw from 3) impose on 4) grump about
- 7- We had nothing in common, but despite our ----- backgrounds and interests, my new roommate and I became good friends by the end of the semester.
1) comprehensive 2) conscious 3) heterogeneous 4) haphazard
- 8- Megan's foreboding about going to class turned out to be ----- as the instructor gave a surprise test for which she was completely unprepared.
1) qualified 2) justified 3) perplexed 4) wholehearted
- 9- If she had known how much of an ----- her student debt would be, she would have found a different way to finance her education.
1) application 2) encumbrance 3) immunity 4) optimism
- 10- The mechanic examined the engine carefully but said he was not able to ----- the cause of the problem.
1) pinpoint 2) derive 3) acquire 4) escalate

PART B: Cloze Passage

Directions: Read the following passage and decide which choice (1), (2), (3), or (4) best fits each space. Then mark the correct choice on your answer sheet.

Horticulture has a very long history. The study and science of horticulture dates all the way back to the times of Cyrus the Great of ancient Persia, and has been going on (11) -----, with present-day horticulturists such as Freeman S. Howlett and Luther Burbank. The practice of horticulture can be retraced for (12) ----- . The cultivation of taro and yam in Papua New Guinea dates back (13) ----- at least 6950–6440 cal BP. The origins of horticulture (14) ----- in the transition of human communities from nomadic hunter-gatherers to sedentary or semi-sedentary horticultural communities, (15) ----- a variety of crops on a small scale around

their dwellings or in specialized plots visited occasionally during migrations from one area to the next.

- 11- 1) ever since 2) yet 3) that far 4) still
 12- 1) many thousands years 2) many thousands of years
 3) years of many thousands 4) many years of thousands
 13- 1) from 2) for 3) in 4) to
 14- 1) are laid 2) lay 3) lie 4) are lying
 15- 1) cultivating 2) cultivated 3) that cultivated 4) to cultivate

Part C. Reading Comprehension

Directions: Read the following three passages and choose the best choice (1), (2), (3) or (4). Then mark it on your answer sheet.

PASSAGE 1:

A milk cooling tank, also known as a bulk tank or milk cooler, consists of an inner and an outer tank, both made of high quality stainless steel. The space between the outer tank and the inner tank is isolated with polyurethane foam. In case of a power failure with an outside temperature of 30°C, the content of the tank will warm up only 1°C in 24 hours. To facilitate an adequate and rapid cooling of the entire content of a tank, every tank is equipped with at least one agitator. Stirring the milk ensures that all milk inside the tank is of the same temperature and that the milk stays homogeneous. On top of every closed milk cooling tank is a manhole of about 40 centimetres diameter. This enables thorough cleaning and inspection of the inner tank if necessary. The manhole is covered by a lid and sealed watertight with a rubber ring. Also on top are 2 or 3 small inlets. One is covered with an air-vent, the other(s) can be used to pump milk into the tank. A milk cooling tank usually stands on 4, 6, or 8 adjustable legs. The built-in tilt of the inner tank ensures that even the last drop of milk will eventually flow to the outlet. At the bottom, every milk cooling tank has a threaded outlet, usually including a valve. All tanks have a thermometer, allowing for immediate inspection of the inner temperature. Most tanks include an automatic cleaning system. Using hot and cold water, an acid and/or alkaline cleaning fluid, a pump and a spray lance will clean the inner tank, ensuring an hygienic inner environment each time the tank is emptied.

- 16- **It is stated in the passage that -----.**
 1) agitators are added to the milk in cooling tanks for its flavour
 2) polyurethane is wrapped around the outer tank to keep it cool
 3) cooling tanks usually have a mechanism to clean themselves
 4) the cooling tank should be warmed up at least 1°C in 24 hours
- 17- **The passage mentions that the milk inside the cooling tank should be -----.**
 1) kept as a homogeneous liquid 2) treated with organic preservatives
 3) kept an outside temperature of 30°C 4) used within 2 days of storage
- 18- **The passage points to the fact that milk may be pumed into the tank from -----.**
 1) a large rubber ring 2) the manhole on top
 3) 2 or 3 small side inlets 4) more than one channel

- 19- According to the passage, -----.
- 1) threaded outlet are placed on each side of the tank
 - 2) there are two spray lances in the inner tank
 - 3) a cooling tank can be put inside a fridge
 - 4) cooling tanks are not of a fixed height
- 20- The word 'thorough' in the passage (underlined) is closest to -----.
- 1) 'complete'
 - 2) 'occasional'
 - 3) 'planned'
 - 4) 'regular'

PASSAGE 2:

A skid loader, skid-steer loader, or skidsteer, is a small, rigid-frame, engine-powered machine with lift arms used to attach a wide variety of labor-saving tools or attachments. Skidsteer loaders are typically four-wheel vehicles with the wheels mechanically locked in synchronization on each side, and the left-side drive wheels can be driven independently of the right-side drive wheels. The wheels typically have no separate steering mechanism and hold a fixed straight alignment on the body of the machine. By operating the left and right wheel pairs at different speeds, the machine turns by skidding, or dragging its fixed-orientation wheels across the ground. The extremely rigid frame and strong wheel bearings prevent the torsional forces caused by this dragging motion from damaging the machine. Like tracked vehicles, the high ground friction produced by skidsteers can rip up soft or fragile road surfaces. They can be converted to low ground friction by using specially designed wheels such as the Mecanum wheel. Skid-steer loaders are capable of zero-radius, "pirouette" turning, which makes them extremely maneuverable and valuable for applications that require a compact, agile loader. Skid-steer loaders are sometimes equipped with tracks in lieu of the wheels and such a vehicle is known as a multi terrain loader. Unlike in a conventional front loader, the lift arms in these machines are alongside the driver with the pivot points behind the driver's shoulders. Because of the operator's proximity to moving booms, early skid loaders were not as safe as conventional front loaders, particularly during entry and exit of the operator. Modern skid loaders have fully enclosed cabs and other features to protect the operator. Like other front loaders, it can push material from one location to another, carry material in its bucket or load material into a truck or trailer.

- 21- The passage points to the fact that -----.
- 1) only the back wheels of skidsteers have a steering mechanism
 - 2) skid-steer loaders may have from two to four large wheels
 - 3) moving booms on a skid loader are at each other's proximity
 - 4) modern skidsteers are as safe as conventional front loaders
- 22- It is stated in the passage that -----.
- 1) front loaders can act as trucks or trailers carry with their buckets unattached
 - 2) skid loaders turn if the left and right wheel pairs move at difference speeds
 - 3) the lift arms in a skidsteer are set directly crossways in front of the driver
 - 4) engine-powered machines should have a rather straight body alignment
- 23- According to the passage, skid loaders -----.
- 1) have one Mecanum wheel on each side
 - 2) can lift a weight equal to their weight
 - 3) have an unbendable frame
 - 4) need extremely powerful engines

- 24- The passage mentions that -----.
- 1) lift arms used to function in capacity of various labor-saving tools
 - 2) agile loaders have a compact body with a lot of carrying ability
 - 3) skidsteers may in fact need no radius across which they can turn
 - 4) skidloaders' front wheels are typically smaller than their back wheels
- 25- The term 'in lieu' in the passage (underlined) is closest to -----.
- 1) 'in place' 2) 'on top' 3) 'underneath' 4) 'around'

PASSAGE 3:

A tedder is a machine used in haymaking. It is used after cutting and before windrowing, and uses moving forks to aerate or 'wuffle' the hay and thus speed up the process of hay-making. The use of a tedder allows the hay to dry ('cure') better, which results in improved aroma and color. The original tedder is a farm tool on two wheels pulled by a horse; the rotation of the axle drives a gear which operates a number of arms with wire tines or fingers at the lower ends. The tines pick up the hay and disperse it; usually, the height at which the tines pick up the hay can be adjusted. In an early, simple hay tedder described in 1852 and manufactured in Edinburgh, the two wheels, via a spur wheel and a pinion, drive a set of light wheels, the "rake wheels"; on these two rake wheels are mounted eight rakes, which pick up and disperse the hay. A later 'English hay-tedder' uses two separate cylinders with rotating forks that can be reversed to lay the hay down lightly for improved exposure to air. The tedder's development was of great importance to agriculture, since it saved labor and thus money: using a tedder, a man and a horse could do as much work as fifteen laborers. It also resulted in greater economy, since cut grass could be turned into hay the same day even if it had become wet or been trampled by horses and before its nutritional value could be reduced by repeated soaking from rain. Especially in humid areas, the invention of the tedder added greatly to improved hay production from such crops as alfalfa and clover, and allowed for haying while the grass was still green which produced hay of much higher value.

- 26- The passage mentions that -----.
- 1) hay repeatedly soaked in rain will have less nutritional value
 - 2) rotating forks of English hay-tedder have two separate cylinders
 - 3) hay tedders were first manufactured in Edinburgh in 1852
 - 4) early hay tedders had only one wheel with two large pinions
- 27- The passage points to the fact that -----.
- 1) large early tedders needed up to fifteen laborers to operate them
 - 2) haying crops such as alfalfa and clover needs little exposure to air
 - 3) the rake wheels on modern tedders are mounted on eight rakes
 - 4) tedder made haying possible even when the grass was green
- 28- It is stated in the passage that in the original tedder -----.
- 1) the spur wheel was connected to a pinion and pulled by a horse
 - 2) height of 'fingers' at the lower ends of the 'arms' were not fixed
 - 3) 'rake wheels' were placed diagonally across a set of light wheels
 - 4) rotating forks could not have been reversed to lay the hay down

- 29- According to the passage, -----.
- 1) grass must turn into hay shortly after it is cut
 - 2) most lasts for almost two day after haying
 - 3) cured hay has a better aroma and colour
 - 4) high-value hay is best produced in wet weather
- 30- The word 'disperse' in the passage (underlined) is closest to -----.
- 1) 'compact'
 - 2) 'heap'
 - 3) 'scatter'
 - 4) 'combine'

ریاضیات:

۳۱- اگر $i = \sqrt{-1}$ باشد، حاصل $(1+i)^2 e^{\frac{\pi}{2}i}$ برابر کدام است؟

- ۱) ۲
- ۲) $2i$
- ۳) -2
- ۴) $-2i$

۳۲- از دو رابطه $x = y^2 + y$ و $U = (x^2 + 6x)^{\frac{2}{3}}$ مقدار $\frac{dy}{du}$ به ازای $y = 1$ ، کدام است؟

- ۱) $\frac{1}{45}$
- ۲) $\frac{1}{60}$
- ۳) $\frac{1}{90}$
- ۴) $\frac{1}{180}$

۳۳- نقطه M بر روی منحنی $y^2 = x^3$ با سرعت ثابت ۲ واحد در ثانیه از مبدأ مختصات دور می‌شود. در نقطه

$M(2, 2\sqrt{2})$ سرعت افزایش x بر روی محور طول‌ها کدام است؟

- ۱) $\sqrt{2}$
- ۲) $\sqrt{3}$
- ۳) $\frac{\sqrt{3}}{2}$
- ۴) $\frac{\sqrt{2}}{2}$

۳۴- مشتق مرتبه چهارم تابع $y = e^{2x} \sinh x$ ، به ازای $x = 0$ کدام است؟

- ۱) ۲۰
- ۲) ۳۰
- ۳) ۴۰
- ۴) ۶۰

۳۵- کمترین مقدار m با شرایط $x > 0$ و $mx - 1 + \frac{1}{x} \geq 0$ ، کدام است؟

(۱) $\frac{1}{4}$

(۲) $\frac{3}{4}$

(۳) $\frac{1}{2}$

(۴) ۱

۳۶- تعداد ریشه‌های معادله $x \ln x = 1$ ، کدام است؟

(۱) صفر

(۲) ۱

(۳) ۲

(۴) ۳

۳۷- اگر $\lim_{x \rightarrow 0} (x^{-2} \sin 3x + ax^{-2} + b) = 0$ باشد، $a + b$ کدام است؟

(۱) ۱

(۲) $1/5$

(۳) ۲

(۴) $2/5$

۳۸- به ازای کدام مقدار a تابع با ضابطه $f(x) = \begin{cases} \frac{\ln x}{x - \sqrt{x}} & ; x \neq 1 \\ a & ; x = 1 \end{cases}$ ، بر روی مجموعه اعداد حقیقی مثبت پیوسته

است؟

(۱) $-\frac{1}{2}$

(۲) $\frac{1}{2}$

(۳) ۱

(۴) ۲

۳۹- مجموع سری $\sum_{n=1}^{\infty} \frac{3^n - 2^n}{6^n}$ ، کدام است؟

(۱) $\frac{1}{2}$

(۲) $\frac{1}{3}$

(۳) $\frac{2}{3}$

(۴) $\frac{1}{6}$

۴۰- خط مماس بر منحنی $y = \frac{1}{x - \sqrt{x^2 - 1}}$ در نقطه‌ای به طول $\frac{5}{3}$ واقع بر آن محور xها را با کدام طول قطع می‌کند؟

(۱) $\frac{1}{6}$

(۲) $\frac{1}{3}$

(۳) $\frac{1}{2}$

(۴) $\frac{3}{2}$

۴۱- حاصل $\int_0^{\frac{\pi^2}{4}} \sin \sqrt{x} dx$ کدام است؟

(۱) $\frac{1}{2}$

(۲) ۱

(۳) $\frac{3}{2}$

(۴) ۲

۴۲- طول قوس منحنی به معادله $(x = a \cos^3 t, y = a \sin^3 t)$ ، کدام است؟

(۱) $6a$

(۲) $6a$

(۳) $3a\sqrt{3}$

(۴) $6a\sqrt{2}$

۴۳- حجم حاصل از دوران سطح محدود به هذلولی $x^2 - y^2 = 3$ و دو خط $y = 2$ و $y = -2$ ، در حول محور yها چند

برابر $\frac{\pi}{3}$ است؟

(۱) ۴۴

(۲) ۴۹

(۳) ۵۲

(۴) ۵۶

۴۴- مساحت متوازی‌الاضلاعی که بر روی دو بردار $\vec{a} = 2\vec{i} - \vec{j} + 3\vec{k}$ و $\vec{b} = \vec{i} + 2\vec{j} - \vec{k}$ ساخته شود، کدام است؟

(۱) $4\sqrt{2}$

(۲) $5\sqrt{3}$

(۳) $3\sqrt{5}$

(۴) $4\sqrt{6}$

۴۵- اگر X امتداد ویژه و K عدد حقیقی و ماتریس $A = \begin{bmatrix} 6 & -6 \\ -1 & 5 \end{bmatrix}$ در رابطه $AX = KX$ صدق کنند، امتداد X

نظیر کوچک‌ترین مقدار K کدام است؟

$$\begin{bmatrix} 2a \\ a \end{bmatrix} \quad (۱)$$

$$\begin{bmatrix} 2a \\ -a \end{bmatrix} \quad (۲)$$

$$\begin{bmatrix} 3a \\ -a \end{bmatrix} \quad (۳)$$

$$\begin{bmatrix} 3a \\ a \end{bmatrix} \quad (۴)$$

۴۶- به ازای کدام مقدار a ، صفحات مماس بر دو کره $x^2 + (y-1)^2 + z^2 = 1$ و $(x-a)^2 + y^2 + z^2 = 4$ در هر نقطه از فصل مشترک آن‌ها، بر هم عمود می‌باشند؟

$$(۱) \text{ صفر}$$

$$(۲) \pm 1$$

$$(۳) \pm 2$$

$$(۴) 4$$

۴۷- مشتق سویی تابع $f(x,y,z) = ye^{x^2-2y+3z}$ در نقطه $A(5,2,-7)$ در امتداد بردار \overline{AB} که در آن $B(4,0,-5)$ باشد، کدام است؟

$$(۱) \frac{-2}{3}$$

$$(۲) \frac{-7}{3}$$

$$(۳) \frac{4}{3}$$

$$(۴) \frac{5}{3}$$

۴۸- اگر $x = UV$ و $y = \frac{U+V}{U-V}$ ، آنگاه $\frac{\partial(U,V)}{\partial(x,y)}$ برابر کدام است؟

$$(۱) \frac{(U+V)^2}{4UV}$$

$$(۲) \frac{4UV}{(U-V)^2}$$

$$(۳) \frac{4UV}{(U+V)^2}$$

$$(۴) \frac{(U-V)^2}{4UV}$$

۴۹- حاصل $\iint_A \sqrt{xy - y^2} \, dx dy$ ، میدان A مثلث با رأس‌های $(0,0)$ ، $(1,0)$ و $(1,1)$ باشد، کدام است؟

(۱) ۳

(۲) ۴

(۳) ۶

(۴) ۷

۵۰- اگر $U = x^2 + y^2 + z^2$ و $\vec{r} = xi + yj + zk$ ، آنگاه دیورژانس $(U\vec{r})$ ، کدام است؟

(۱) $6U$ (۲) $5U$ (۳) $4U$ (۴) $3U$

۵۱- انتگرال منحنی الخط $\int_c (2xy - y^2)dx + (x^2 - 2xy^2 + x)dy$ بر روی بیضی $x^2 + y^2 = 4$ ، کدام است؟

(۱) -2π (۲) $-\pi$ (۳) π (۴) 2π

۵۲- مسیرهای قائم دسته منحنی‌های $y^2 = ax$ ، کدام است؟

(۱) $y^2 + 2x^2 = C$ (۲) $2y^2 + x^2 = C$ (۳) $y^2 - 2x^2 = C$ (۴) $2y^2 - x^2 = C$

۵۳- جواب کلی معادله دیفرانسیل $(x+1)y' - y = (x+1)^2 e^x$ ، کدام است؟

(۱) $y = (x+1)e^x + A(x+1)^2$ (۲) $y = A(x+1)e^x - (x+1)$ (۳) $y = A(x+1)e^x + (x+1)^2$ (۴) $y = (x+1)e^x + A(x+1)$

۵۴- یکی از منحنی‌های انتگرال معادله دیفرانسیل $x(3x + 2y^2)dx + 2y(1 + x^2)dy = 0$ از نقطه $(0,1)$ می‌گذرد.

حدود تغییرات x در این منحنی کدام است؟

(۱) $x \leq 1$ (۲) $x \leq -1$ (۳) $x \geq 1$ (۴) $x \geq -1$

۵۵- جواب کلی معادله دیفرانسیل $y'' - 4y' + 5y = 8\sin x$ کدام است؟

$$y = Ae^{\gamma x} \cos(x + \alpha) + \cos x \quad (1)$$

$$y = Ae^x \cos(\gamma x + \alpha) - \cos x \quad (2)$$

$$y = Ae^{\gamma x} \sin(x + \alpha) + \sin x + \cos x \quad (3)$$

$$y = Ae^x \sin(\gamma x + \alpha) + \sin x + \cos x \quad (4)$$

استاتیک، دینامیک و مقاومت مصالح:

۵۶- در نمودار مربوط به گشتاور خمشی جهش و یا تغییر ناگهانی در مقدار (خط عمودی) در یک مقطع بیانگر کدام مورد است؟

- (۱) وارد شدن یک کوپل در آن مقطع
(۲) نیروی برشی صفر در آن مقطع
(۳) نیروی برشی ماکزیمم در آن مقطع
(۴) گشتاور خمشی صفر در آن مقطع

۵۷- میله آلومینیومی AB با $G = 24 \text{ GPa}$ به میله برنجی BD با $G = 48 \text{ GPa}$ متصل شده است. اگر لنگر لختی هر بخش از تیر به قرار زیر باشد، زاویه پیچش در A چند رادیان است؟

$$T_A = 800 \text{ N.m}$$

$$T_B = 1600 \text{ N.m}$$

$$AB = 400 \text{ mm}$$

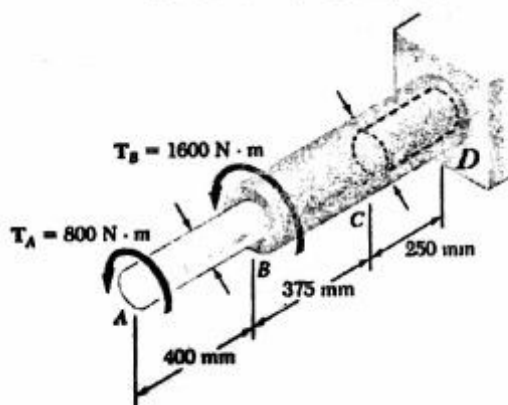
$$BC = 275 \text{ mm}$$

$$CD = 250 \text{ mm}$$

$$J_{CD} = 0.25 \times 10^{-6} \text{ m}^4$$

$$J_{BC} = 0.375 \times 10^{-6} \text{ m}^4$$

$$J_{AB} = 0.4 \times 10^{-6} \text{ m}^4$$



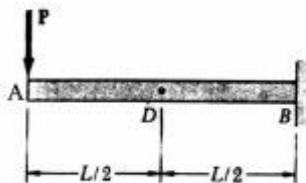
$$0.105 \quad (1)$$

$$0.133 \quad (2)$$

$$0.256 \quad (3)$$

$$0.7 \quad (4)$$

۵۸- خیز در نقطه D از تیر منشوری نشان داده شده، کدام است؟ $(AD = BD = \frac{L}{2})$



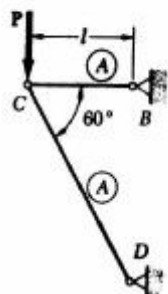
$$y_D = \frac{11Pl^3}{47EI} \quad (1)$$

$$y_D = \frac{9Pl^3}{39EI} \quad (2)$$

$$y_D = \frac{7Pl^3}{16EI} \quad (3)$$

$$y_D = \frac{5Pl^3}{48EI} \quad (4)$$

۵۹- کدام مورد در خریا و بارگذاری نشان داده شده، خیز عمودی در نقطه C بر حسب P, EI و l است؟



$$\left\{ \begin{array}{l} \tan 60^\circ = 2 \\ \sin 60^\circ = 1 \\ BC = l \\ CD = 2l \end{array} \right. \quad \text{مفروضات:}$$

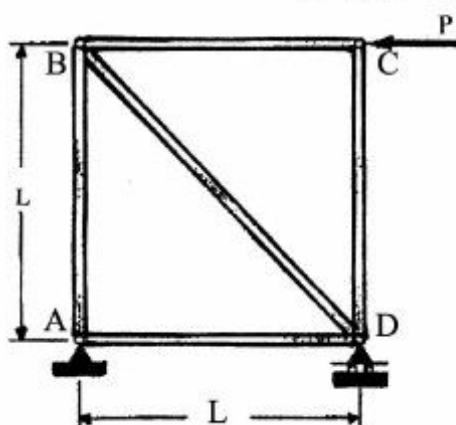
$$y_C = 4/545 \frac{Pl}{AE} \quad (1)$$

$$y_C = 2/25 \frac{Pl}{AE} \quad (2)$$

$$y_C = 4/5 \frac{Pl}{AE} \quad (3)$$

$$y_C = 2/5 \frac{Pl}{AE} \quad (4)$$

۶۰- در قاب روبه‌رو، تمام اتصالات لولایی هستند. تغییر طول عضو BD چند برابر عضو AD است؟



$$3 \quad (1)$$

$$\sqrt{3} \quad (2)$$

$$2 \quad (3)$$

$$\sqrt{2} \quad (4)$$

۶۱- تیری با مقطع مربعی به ضلع a و طول L و مدول الاستیسیته E در محدوده الاستیک به شکل دایره خم شده

است. بیشینه تنش وارده به این تیر چقدر می‌باشد؟

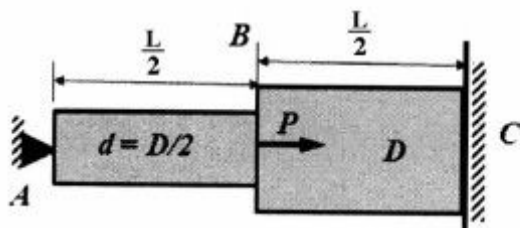
$$\frac{\pi a}{L} E \quad (1)$$

$$\frac{3\pi a}{\sqrt{2}LE} \quad (2)$$

$$\frac{a}{PLE} \quad (3)$$

$$\frac{LE}{\pi a} \quad (4)$$

۶۲- در بارگذاری روبه‌رو، مقدار تغییر دما (ΔT) چقدر باشد تا با بار موجود (P) عکس‌العمل تکیه‌گاه A برابر صفر شود؟



$\alpha, E, \Delta T, \sigma_{BC}, \sigma_{AB}$

(۱) $\frac{3\sigma_{AB}}{2\alpha E}$

(۲) $\frac{\sigma_{AB}}{3\alpha E}$

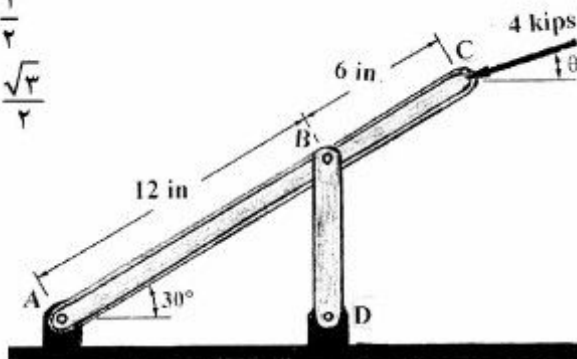
(۳) $\frac{\sigma_{BC}}{\alpha E}$

(۴) $\frac{\sigma_{BC}}{2\alpha E}$

۶۳- رابطه BD میله‌ای به عرض in و ضخامت $\frac{1}{4}in$ است. با فرض اینکه قطر هر پین $5/8$ اینچ باشد، مقدار بیشینه تنش قائم میانگین در رابط BD هرگاه $\theta = 0$ باشد، چند Ksi است؟

مفروضات:

$$\begin{cases} \sin 30^\circ = \frac{1}{2} \\ \cos 30^\circ = \frac{\sqrt{3}}{2} \end{cases}$$



(۱) $4\sqrt{3}$

(۲) $8\sqrt{3}$

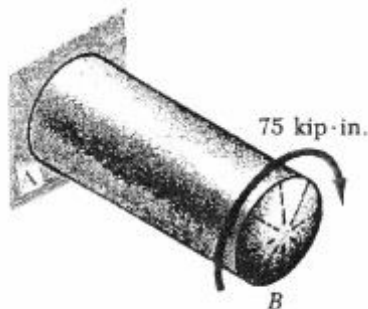
(۳) $16\sqrt{3}$

(۴) ۳۶

۶۴- گشتاور پیچشی $75 \text{ kip}\cdot\text{in}$ بر سر مخزن حاوی روغن با فشار 400 Psi وارد می‌شود. می‌دانیم که قطر خارجی مخزن 11 in و ضخامت جدار آن $5/8 \text{ in}$ است. تنش قائم ماکزیمم (σ_{max}) در جدار استوانه‌ای مخزن چند Ksi است؟

مفروضات:

$$\begin{cases} \sqrt{5} = 2,2 \\ j = \frac{1}{2} \times 75 \times 5,8 \text{ in}^4 \end{cases}$$



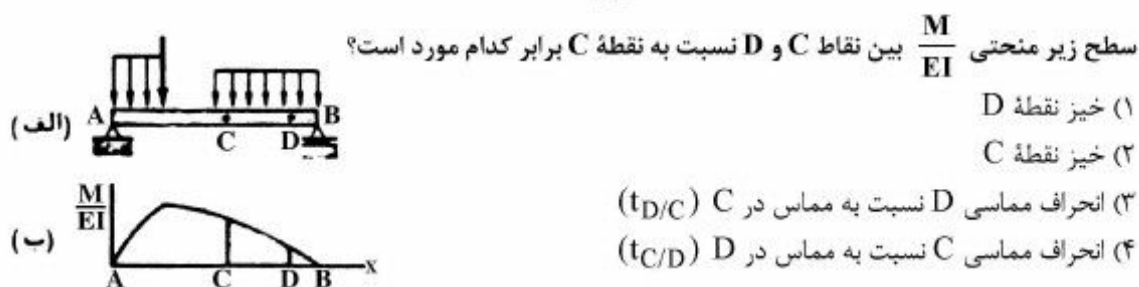
(۱) $4,2$

(۲) $5,2$

(۳) $6,2$

(۴) $6,5$

۶۵- یک تیر با بارگذاری دلخواه در شکل الف و منحنی $\frac{M}{EI}$ برای آن در شکل (ب) نشان داده شده است. گشتاور اول



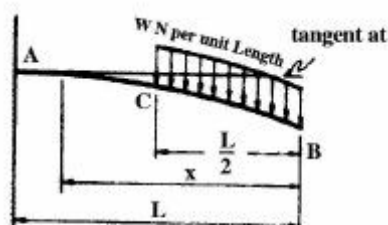
۶۶- حداکثر کرنش جانبی ایجاد شده در یک تیر تحت خمش خالص (M) برابر کدام است؟

(۱) $-\frac{3\nu}{2E} \cdot \frac{MC}{I}$
(۲) $-\frac{\nu}{E} \cdot \frac{MC}{I}$
(۳) $-\frac{2\nu}{E} \cdot \frac{MC}{I}$
(۴) $-\frac{\nu}{2E} \cdot \frac{MC}{I}$

۶۷- اگر در یک تیر تحت خمش خالص، شعاع خمش معادل ρ باشد، شعاع محور خنثی در مقطع عرضی برابر کدام است؟

(۱) $\frac{2\rho}{3\nu}$
(۲) $\frac{2\rho}{\nu}$
(۳) $\frac{\rho}{\nu}$
(۴) $\frac{\rho}{2\nu}$

۶۸- شیب نقطه B برای تیر نشان داده شده، چقدر است؟



(۱) $\frac{7wL^3}{48EI}$
(۲) $\frac{wL^3}{48EI}$
(۳) $\frac{7wL^3}{16EI}$
(۴) $\frac{wL^3}{16EI}$

۶۹- ضریب پواسون ν در بارگذاری ایستایی چه تفسیری دارد؟

- (۱) کرنش جانبی دو برابر کرنش محوری است.
 (۲) حداکثر تغییر حجم هنگام تغییر شکل
 (۳) عدم تغییر حجم هنگام تغییر شکل
 (۴) کرنش‌های برابر در جهات متعامد

۷۰- ضریب فنریت (مدول برجهندگی) مصالح برابر کدام است؟

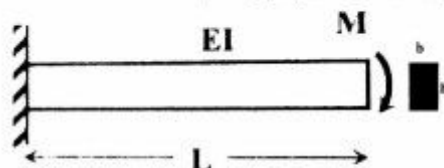
(۱) $\frac{\sigma_{yp}}{E}$

(۲) $\frac{\sigma_{yp}^2}{2E}$

(۳) $\frac{\sigma_{yp}^2}{E}$

(۴) $\frac{\sigma_{yp}}{2E}$

۷۱- در تیر یک سرگیردار شکل مقابل، انرژی کرنشی بر حسب تنش قائم بیشینه و حجم تیر کدام است؟



(۲) $\frac{\sigma^2 V}{2E}$

(۴) $\frac{\sigma^2 V}{6E}$

(۱) $\frac{\sigma^2 V^2}{2E}$

(۳) $\frac{\sigma^2 V^2}{6E}$

۷۲- در نظر است یک نوار فولادی به طول L ، عرض b و ضخامت h به صورت یک دایره کامل خم شود. گشتاور لازم برای

خم کردن نوار فولادی کدام است؟

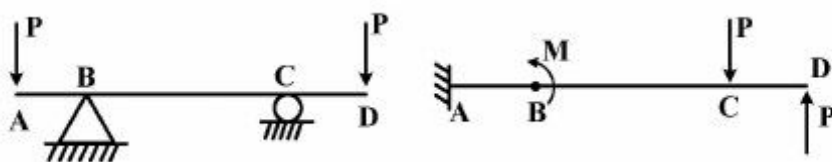
(۱) $\frac{Ebh^3}{12\pi L}$

(۲) $\frac{\pi Ebh^3}{6L}$

(۳) $\frac{Ebh^3}{6\pi L}$

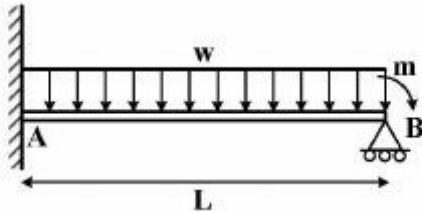
(۴) $\frac{\pi Ebh^3}{12L}$

۷۳- در شکل‌های زیر، کدام بخش از تیرها تحت خمش خالص قرار دارند؟ (طول‌های AB و DC با هم مساوی‌اند)



- (۱) بخش BC از تیر ساده و بخش‌های AB و BC از تیر یکسر گیردار
 (۲) بخش‌های AB و CD از هر دو تیر
 (۳) فقط بخش AB از تیر یکسر گیردار
 (۴) بخش‌های BC از دو تیر

۷۴- تیر یکسر گیردار زیر تحت گشتاور M و بار پخشی w قرار دارد. عکس العمل تکیه‌گاه B کدام است؟



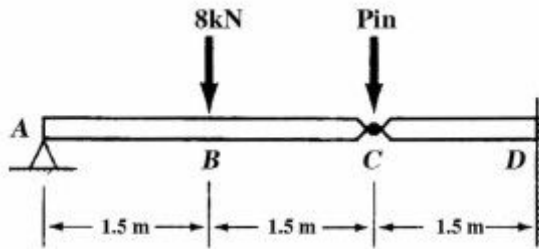
(۱) $\frac{wL}{24} + \frac{M}{6L}$

(۲) $\frac{wL}{8} + \frac{M}{2L}$

(۳) $\frac{3wL}{8} + \frac{3M}{2L}$

(۴) $\frac{wL^3}{8EL} + \frac{ML}{2EL}$

۷۵- تیر AC در نقاط A و C تکیه‌گاه ساده داشته و با یک مفصل به تیر CD متصل شده است. صلبیت خمشی هر دو تیر EI است. اگر بار قائم 8 kN در نقطه B اعمال گردد، خیز نقطه B چقدر است؟ ($AB = BC = CD = 1.5 \text{ m}$)



(a)

(۱) $\frac{9}{EI}$

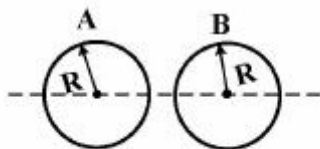
(۲) $\frac{2.25}{EI}$

(۳) $\frac{4.5}{EI}$

(۴) $\frac{6.75}{EI}$

۷۶- گلوله A با سرعت V_0 به گلوله B که در حال سکون است برخورد می‌کند. با فرض ضریب بازگشت صفر ($e = 0$)،

سرعت گلوله‌ها پس از برخورد برابر کدام است؟ ($m_A = m_B$)



$V_A = V_0 \rightarrow \quad V_B = 0$

(۱) $V'_A = V_0$ و $V'_B = 0$

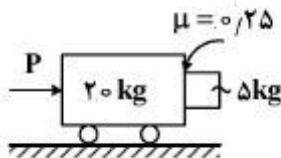
(۲) $V'_A = V_0$ و $V'_B = V_0$

(۳) $V'_A = \frac{V_0}{2}$ و $V'_B = \frac{V_0}{2}$

(۴) $V'_A = 0$ و $V'_B = V_0$

۷۷- حداقل شتابی که گاری به جرم 20 kg باید داشته باشد تا جعبه به جرم 5 kg از جلو گاری به پایین نیفتد، چند

g است؟ ($\mu = 0.25$ ضریب اصطکاک بین جعبه و گاری می‌باشد)



(۱) ۱

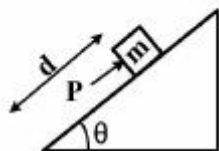
(۲) ۲

(۳) ۴

(۴) ۱۰

۷۸- یک نیروی ثابت P ، جرم m را به اندازه d روی یک سطح شیب‌دار بدون اصطکاک جابه‌جا می‌کند. کار نیروی اعمالی

برابر کدام است؟ (سرعت جرم ثابت نیست.)



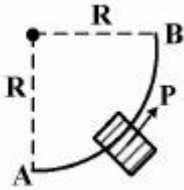
(۱) $P \cdot d$

(۲) $Pd \cos \theta$

(۳) $mgd \sin \theta$

(۴) ۰

۷۹- یک لغزنده به جرم m روی یک حلقه به شعاع R و در صفحه عمودی و از حالت سکون و از نقطه A (بدون اصطکاک) شروع به حرکت می‌کند. لغزنده تحت تأثیر نیروی وزن و نیروی $P = 2mg$ که همواره مماس بر مسیر است، قرار دارد. سرعت لغزنده وقتی که به نقطه B می‌رسد، چقدر است؟



$$V = \sqrt{2Rg\pi} \quad (1)$$

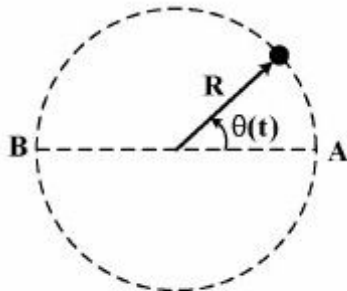
$$V = \sqrt{4Rg} \quad (2)$$

$$V = \sqrt{2Rg} \quad (3)$$

$$V = \sqrt{2Rg(\pi-1)} \quad (4)$$

۸۰- یک ذره روی یک مسیر دایروی در حال حرکت بوده و زاویه θ با رابطه $\theta = \frac{\pi t^2}{4}$ نسبت به زمان تغییر می‌کند.

مولفه‌های شتاب نرمال و مماسی در نقطه B به ترتیب کدام است؟



$$a_t = \frac{\pi R}{2}, \quad a_n = \frac{\pi R}{2} \quad (1)$$

$$a_t = \frac{\pi R}{2}, \quad a_n = \pi^2 R \quad (2)$$

$$a_t = \pi R, \quad a_n = 4\pi^2 R \quad (3)$$

$$a_t = 0, \quad a_n = \pi^2 R \quad (4)$$

طراحی اجزای ماشین و طراحی ماشین های کشاورزی:

۸۱- در دروگرهای شانه‌ای عوامل مؤثر بر عدم فرار ساقه از بین تیغه و ضد تیغه کدام مورد است؟

(۱) سرعت پیشروی کم - زاویه لبه تیغه

(۲) تیز بودن تیغه‌ها - سرعت پیشروی کم

(۳) ساقه‌های نرم و مرطوب - عرض شانه برش

(۴) سرعت پیشروی زیاد - ضریب اصطکاک بیشتر لبه تیغه

۸۲- کدام مورد درباره بلبرینگ‌ها درست است؟

(۱) نوع سوزنی فقط رینگ خارجی و اجزاء غلتشی و جدا کننده دارد.

(۲) نوع شیار عمیق نسبت به بلبرینگ‌های با سوراخ پرشونده اجزاء غلتشی کمتری دارند.

(۳) از بلبرینگ‌های مخروطی فقط در شرایطی که بارهای محوری داریم استفاده می‌گردد.

(۴) نوع شیار عمیق نسبت به بلبرینگ‌های با سوراخ پر شونده، بارهای محوری را کمتر تحمل می‌کنند.

۸۳- اگر بلبرینگی دارای شماره ۳۰۵ باشد، کدام مورد درباره مشخصات بلبرینگ درست است؟

(۱) سری متوسط با قطر داخلی (bore) ۵ mm است.

(۲) سری متوسط با قطر داخلی (bore) ۲۵ mm است.

(۳) سری سبک با قطر داخلی (bore) ۲۵ mm است.

(۴) سری سبک با قطر داخلی (bore) ۵ mm است.

۸۴- در چرخ‌دنده‌ای که منحنی دندانه اینولوت است، خط عمود بر منحنی اینولوت در نقطه تماس، مماس بر کدام دایره است؟

(۱) ته دنده

(۲) گام

(۳) پایه

(۴) سر دنده

۸۵- در تئوری‌های گسیختگی قطعات ماشین تحت اثر بار استاتیکی، تنش‌های هیدرواستاتیک باعث چه موردی می‌شوند؟

- (۱) تقویت قطعه (۲) تغییر حجم قطعه (۳) تغییر شکل قطعه (۴) شکست قطعه

۸۶- کدام مورد درست است؟

- (۱) برای کاستن تنش لهدگی اعمالی به ورق‌ها، از پرچ‌ها در چند ردیف استفاده می‌شود.
 (۲) برای کاستن تنش لهدگی اعمالی به پرچ‌ها از آن‌ها در چند ردیف استفاده می‌شود.
 (۳) برای کاستن تنش برشی اعمالی به پرچ‌ها از آن‌ها در چند ردیف استفاده می‌شود.
 (۴) برای کاستن تنش برشی اعمالی به ورق‌ها، از پرچ‌ها در چند ردیف استفاده می‌شود.

۸۷- تئوری شکست مبتنی بر انرژی کرنشی بیشینه بیان می‌کند که شکست در یک قطعه چه موقعی اتفاق می‌افتد؟

(۱) انرژی کرنشی در واحد حجم در اثر تنش وارده به قطعه بیشتر از انرژی کرنشی در واحد حجم در آزمون کششی تک محوری نمونه باشد.

(۲) انرژی کرنشی در اثر تنش وارده به قطعه بیشتر از انرژی کرنشی در واحد حجم در آزمون کششی تک محوری نمونه باشد.

(۳) انرژی کرنشی در واحد حجم در اثر تنش وارده به قطعه بیشتر از انرژی کرنشی در آزمون کششی تک محوری نمونه باشد.

(۴) انرژی کرنشی در اثر تنش وارده به قطعه بیشتر از انرژی کرنشی در آزمون کششی تک محوری نمونه باشد.

۸۸- چرخ دنده‌ای با گام قطری ۵ و ۲۰ دندانه با چرخ دنده دیگری که ۶۳ دندانه دارد، درگیر است. مقدار فاصله مرکزی چند اینچ است؟

(۱) ۴

(۲) $7/6$

(۳) $8/3$

(۴) $12/6$

۸۹- تحمل مواد سطح دندانه یک چرخ دنده به کدام مورد بستگی دارد؟

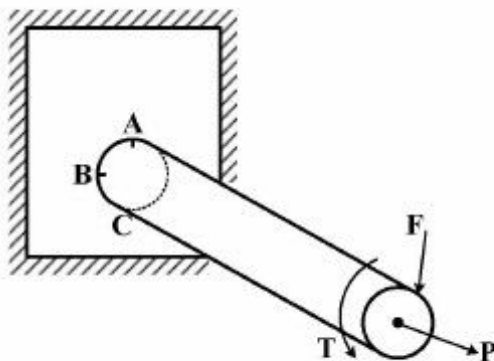
(۱) مقاومت تسلیم

(۲) مقاومت الاستیکی

(۳) عدد سختی برنیل

(۴) چقرمگی (toughness)

۹۰- در شکل روبه‌رو محوری جنس فلز چکش خوار تحت بارگذاری قرار گرفته است. طراحی محور باید چگونه باشد؟



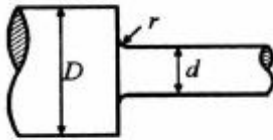
(۱) بر اساس نقطه A

(۲) بر اساس نقطه B

(۳) بر اساس نقطه C

(۴) بستگی به مقادیر F, T, P و S_y دارد.

۹۱- با توجه به شکل روبه‌رو، با افزایش نسبت $\frac{D}{d}$ و افزایش نسبت $\frac{r}{d}$ ، ضریب تمرکز تنش به ترتیب چگونه تغییر می‌کند؟



- (۱) افزایش - کاهش
- (۲) افزایش - افزایش
- (۳) کاهش - کاهش
- (۴) کاهش - افزایش

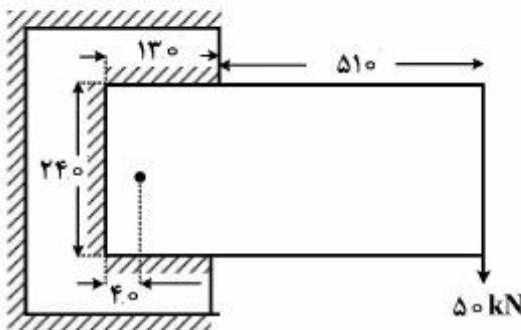
۹۲- مقاومت در مقابل خستگی به کدام مورد بستگی دارد؟

- (۱) مدول یانگ
- (۲) حد تناسب
- (۳) مقاومت کششی نهایی
- (۴) تنش حد تحمل

۹۳- در تسمه‌ها وقتی هر دو پولی دارای قطر یکسان باشند، مقدار کشش T_1 (طرف سفت) چند برابر کشش T_2 (طرف شل) است؟

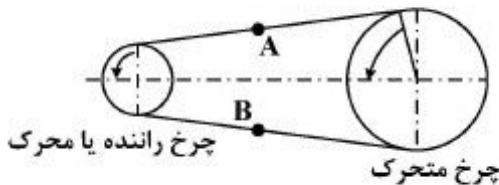
- (۱) ۱
- (۲) ۲
- (۳) ۵
- (۴) مشخص نیست.

۹۴- اگر ممان اینرسی قطبی واحد جوش $m^3 \times 10^{-3}$ باشد، بیشترین تنش برشی حاصل از گشتاور پیچشی چند MPa است؟ (G مرکز جوش و اندازه‌ها به میلی‌متر است.)



- (۱) ۰٫۷۲
- (۲) $۰٫۹\sqrt{۲}$
- (۳) ۰٫۲۴
- (۴) ۰٫۹

۹۵- با توجه به جهت چرخش و چرخ راننده، کدام رابطه در مورد کشش T در نقاط A و B تسمه، درست است؟



- (۱) $T_A = T_B$
- (۲) $T_A > T_B$
- (۳) $T_A < T_B$
- (۴) هیچ‌کدام

۹۶- یک ساقه یونجه به قطر ۲ mm در فاصله ۳۰ cm از سطح زمین تحت بار برشی ضربه‌ای قرار می‌گیرد. ضریب ارتجاعی آن $\frac{N}{mm^2}$ ۱۵۰۰ و مقاومت نهایی آن $\frac{N}{mm^2}$ ۴۰ است. نیروی افقی که سبب شکست خمشی می‌شود،

- چقدر است؟
- (۱) π
 - (۲) $\frac{\pi}{۲}$
 - (۳) $\frac{\pi}{۳}$
 - (۴) $\frac{\pi}{۴}$

۹۷- کدام رابطه، ارتباط بین قطر سوراخ نازل سمپاش، با قطر میانه حجم سم خارج شده از نازل را بیان می‌کند؟

$$\frac{Dv_{m_1}}{Dv_{m_2}} = \left(\frac{d_2}{d_1}\right)^{\frac{1}{2}} \quad (2)$$

$$\frac{Dv_{m_1}}{Dv_{m_2}} = \left(\frac{d_1}{d_2}\right)^{\frac{2}{3}} \quad (1)$$

$$\frac{Dv_{m_1}}{Dv_{m_2}} = \left(\frac{d_1}{d_2}\right)^{\frac{1}{2}} \quad (4)$$

$$\frac{Dv_{m_1}}{Dv_{m_2}} = \left(\frac{d_2}{d_1}\right)^{\frac{1}{2}} \quad (3)$$

۹۸- پیچ‌ها برای کدام موارد استفاده می‌شوند؟

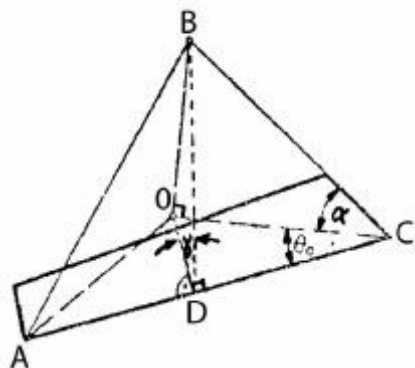
(۱) جابه‌جایی بار

(۲) اتصال قطعات

(۳) جابه‌جایی بار و اتصال قطعات

(۴) کاهش دامنه بار نوسانی وقتی همراه واشر فنری می‌باشند.

۹۹- در شکل روبه‌رو که زوایای اصلی تیغه یک خیش گاوآهن برگردان‌دار را نشان می‌دهد، چه رابطه‌ای بین زوایا برقرار است؟



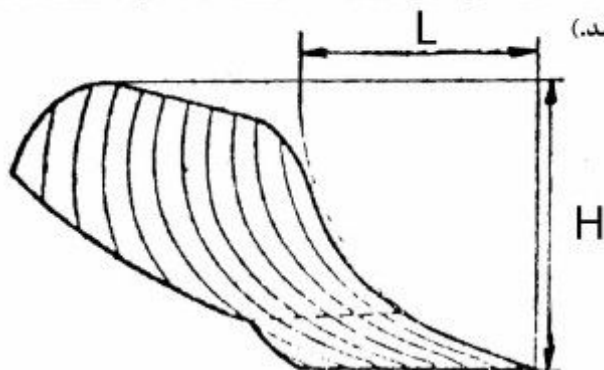
$$\tan \gamma = \tan \alpha \cdot \cos \theta_0 \quad (1)$$

$$\tan \alpha = \tan \gamma \cdot \cos \theta_0 \quad (2)$$

$$\tan \gamma = \tan \alpha \cdot \sin \theta_0 \quad (3)$$

$$\tan \alpha = \tan \gamma \cdot \sin \theta_0 \quad (4)$$

۱۰۰- با توجه به شکل روبه‌رو، شیب صفحه برگردان چگونه تعریف می‌شود و برای خاک‌ورزی در اراضی چمن‌زار میزان آن چقدر است؟ (این مقدار بین ۰٫۷ تا ۱٫۳ می‌باشد).



$$\frac{H}{L} \text{ و بین } ۰٫۸ \text{ تا } ۱ \quad (1)$$

$$\frac{L}{H} \text{ و بین } ۱ \text{ تا } ۱٫۳ \quad (2)$$

$$\frac{H}{L} \text{ و بین } ۱ \text{ تا } ۱٫۳ \quad (3)$$

$$\frac{L}{H} \text{ و بین } ۰٫۷ \text{ تا } ۰٫۸ \quad (4)$$

۱۰۱- کدام مورد درباره‌ی توان لازم برای شتاب دادن علوفه در یک چابر درست است؟

(۱) با سرعت محیطی تیغه‌ها نسبت عکس دارد.

(۲) با مجذور سرعت محیطی تیغه‌ها متناسب است.

(۳) با مجذور سرعت محیطی تیغه‌ها نسبت عکس دارد.

(۴) با سرعت محیطی تیغه‌ها متناسب است.

۱۰۲- انرژی ویژه برش در چابرها دارای چه دیمانسیون است؟

$$\frac{N \cdot m}{kg} \quad (4)$$

$$\frac{N \cdot kg}{m} \quad (3)$$

$$\frac{N}{m^2} \cdot kg \quad (2)$$

$$\frac{N}{kg} \cdot m^2 \quad (1)$$

۱۰۳- در یک کمباین غلات، کوبنده آن از نوع سوهانی به مشخصات (۰/۸ متر \times ۶ عدد) و ظرفیت کوبش هر سوهان ۰/۴ کیلوگرم بر ثانیه در هر متر طول سوهان است. اگر بخواهیم نرخ تغذیه این کوبنده ۳۲ کیلوگرم بر ثانیه باشد، سرعت دورانی این کوبنده باید چند دور بر دقیقه باشد؟

(۱) ۱۰۵۰

(۲) ۹۵۰

(۳) ۱۰۰۰

(۴) ۷۵۰

۱۰۴- در یک تنک‌کن دوار مسیر حرکت نقاط واقع بر نوک تیغه‌ها چگونه است؟

(۱) سیکلوئید بوده و گام آن با شاخص سینماتیک نسبت مستقیم دارد.

(۲) مارپیچی بوده و گام آن با شاخص سینماتیک نسبت مستقیم دارد.

(۳) مارپیچی بوده و گام آن با شاخص سینماتیک نسبت عکس دارد.

(۴) سیکلوئید بوده و گام آن با شاخص سینماتیک نسبت عکس دارد.

۱۰۵- ضمن حرکت یک تیغه (Blade) در خاک خشک، برای محاسبه مقاومت کششی آن، علاوه بر نیروی وزن و اصطکاک خاک با سطح ابزار، چه نیروهای دیگری باید در نظر گرفت؟

(۱) نیروهای منتج از گسیختگی خاک و شتاب خاک

(۲) نیروهای منتج از چسبندگی خاک و شتاب خاک

(۳) نیروهای منتج از چسبندگی و اصطکاک داخلی خاک

(۴) نیروهای منتج از گسیختگی و اصطکاک داخلی خاک

مکانیک سیالات و ترمودینامیک:

۱۰۶- سیمی با قطر خیلی کوچک به صورت حلقه‌ای به شعاع R در آورده شده است. این حلقه به آرامی روی سطح آزاد یک مایع با کشش سطحی σ قرار می‌گیرد. نیروی وارد از طرف سیال به حلقه کدام است؟

(۱) $\pi R^2 \sigma$

(۲) $2\pi R^2 \sigma$

(۳) $2\pi R \sigma$

(۴) $4\pi R \sigma$

۱۰۷- یک پیستون به قطر d، جرم m و طول L در داخل یک سیلندر به قطر D رها می‌شود. بین پیستون و سیلندر یک روغن با لزجت μ قرار دارد. سرعت حدی پیستون در حین پایین آمدن، چقدر است؟

(۱) $\frac{mg(D-d)}{\mu\pi dL}$

(۲) $\frac{mg(D-d)}{2\mu\pi dL}$

(۳) $\frac{2mg(D-d)}{\mu\pi dL}$

(۴) $\frac{mg(D-d)}{4\mu\pi dL}$

۱۰۸- اگر رابطه جرم مخصوص آب دریا با عمق آن به صورت $\rho = 1000 + 0.01h$ باشد، فشار آب در عمق ۵۰۰ متری

چند کیلوپاسکال است؟ $(g = 10 \frac{m}{s^2})$

(۱) ۴۹۸۷/۵

(۲) ۵۰۰۰

(۳) ۵۰۱۲/۵

(۴) ۵۰۲۴

۱۰۹- کدام مورد، ویژگی یک سیال ایدئال است؟

(۱) لزجت آن صفر و تراکم‌ناپذیر است.

(۲) کشش سطحی آن صفر و تراکم‌ناپذیر است.

(۳) خواص فیزیکی آن مانند لزجت و چگالی آن ثابت است.

(۴) تنش برشی آن صفر و مانند یک گاز ایدئال رفتار می‌کند.

۱۱۰- بردار سرعت یک سیال به صورت $\vec{V} = (3t)\vec{i} + (xz)\vec{j} + (ty^2)\vec{k}$ داده شده است که $\vec{i}, \vec{j}, \vec{k}$ بردارهای یک‌ه در

جهت‌های x, y, z و t زمان هستند. در این صورت سیال چگونه است؟

(۱) تراکم‌پذیر است.

(۲) تراکم‌ناپذیر است.

(۳) تراکم‌پذیر است و تشکیل گردابه چرخشی می‌دهد.

(۴) تراکم‌ناپذیر است و تشکیل گردابه چرخشی می‌دهد.

۱۱۱- در تمام فرایندها که سیستم بسته (جرم کنترل) از حالت تعادل A به حالت تعادل B می‌رود، مجموع کار و گرمای

مبادله شده توسط سیستم به چه صورت است؟

(۱) یکسان بوده و بستگی به نوع فرایند دارد.

(۲) یکسان نبوده و بستگی به نوع فرایند دارد.

(۳) یکسان بوده و مستقل از مشخصه تعادلی و غیرتعادلی است.

(۴) یکسان نبوده و بستگی به فرض تعادلی و شبه تعادلی فرایند دارد.

۱۱۲- در کدام حالت از کارتوربین، مقدار توان تولیدی آن بیشینه است؟

(۱) ایزنتروپیک (۲) پلی‌تروپیک (۳) ایزوترم (هم‌دما) (۴) آدیاباتیک (بی‌دررو)

۱۱۳- سطح منحنی یک فرایند در نمودار فشار - حجم (نمودار کلاپیرون) برای اندازه‌گیری مقدار کار، در چه فرایندهایی

به کار می‌رود؟

(۱) در فرایندهای واقعی انبساط و تراکم

(۲) در فرایندهای تعادلی و شبه تعادلی

(۳) در فرایندهای واقعی

(۴) در کلیه فرایندها

۱۱۴- در یک فرایند تراکم قابل برگشت ایزوبار (هم‌فشار)، تغییرات آنتروپی به چه صورت بیان می‌شود؟

(۱) $ds \geq 0$

(۲) $ds \leq 0$

(۳) $ds < 0$

(۴) $ds > 0$

۱۱۵- کدام مورد مفهوم کار از دیدگاه ماکروسکوپی است؟

- (۱) کار معرف انرژی در حال عبور است.
- (۲) کار تابع مسیری بوده و معرف انرژی سیستم است.
- (۳) کار پدیده‌گذران است و در نهاد سیستم وجود دارد.
- (۴) کار پدیده‌گذران است و در مرز سیستم قابل تشخیص است.

۱۱۶- معادله $ds = C_p \ln \frac{T_2}{T_1}$ ، تغییرات آنتروپی یک گاز کامل را برای چه فرایندی بیان می‌کند؟

- (۱) پلی‌تروپیک
- (۲) ایزوبار (هم‌فشار)
- (۳) ایزوترم (هم‌دما)
- (۴) آدیاباتیک (بی‌دررو)

۱۱۷- در یک فرایند، $\int \frac{\delta Q}{T}$ بیانگر کدام مورد است؟

- (۱) تابع حالت است و بستگی به مسیر دارد.
- (۲) تابع حالت است و مستقل از مسیر می‌باشد.
- (۳) تابع حالت نبوده و در هر مسیر قابل محاسبه است.
- (۴) تابع حالت نبوده و در مسیرهای قابل برگشت قابل محاسبه است.

۱۱۸- کدام مورد، درباره ds_t (آنتروپی کل)، درست است؟

- (۱) $ds_t \geq 0$
- (۲) $ds_t < 0$
- (۳) $ds_t > 0$
- (۴) $ds_t = 0$

۱۱۹- در یک انبساط ایزوترم (هم‌دما) قابل برگشت یک گاز کامل، اگر تغییرات انرژی داخلی و dH تغییرات آنتالپی

یک سیستم را نشان دهند، کدام حالت برقرار است؟

- (۱) $du < 0, dH < 0$
- (۲) $du < 0, dH > 0$
- (۳) $du > 0, dH > 0$
- (۴) $du = 0, dH = 0$

۱۲۰- برای یک فرایند ایزوترم کاملاً غیرقابل برگشت گاز کامل، در صورتی که Δs تغییر آنتروپی و Q گرمای مبادله

شده را نشان دهد، کدام مورد درست است؟

- (۱) $Q < 0, \Delta s > 0$
- (۲) $Q > 0, \Delta s < 0$
- (۳) $Q = 0, \Delta s > 0$
- (۴) $Q = 0, \Delta s = 0$

۱۲۱- اگر بخار آب در فشار 0.5 MPa و دمای 35°C را به دمای 45°C برسانیم، فرایند فشار ثابت بوده و

$C_p = 2 \frac{\text{kJ}}{\text{kgK}}$ باشد، مقدار انتقال حرارت چند کیلوژول بر کیلوگرم است؟

- (۱) ۵۰
- (۲) ۱۰۰
- (۳) ۲۰۰
- (۴) ۴۰۰

۱۲۲- اگر هوا وارد یک بالن کروی شود و فشار داخل بالن متناسب با شعاع آن باشد، رابطه کار انجام شده کدام است؟

$$W = \frac{P_2 V_2 - P_1 V_1}{1 - (-\frac{1}{3})} \quad (1)$$

$$W = \frac{P_2 V_2 - P_1 V_1}{1 + (-\frac{1}{3})} \quad (2)$$

$$W = \frac{P_2 V_2 - P_1 V_1}{\frac{1}{3}} \quad (3)$$

$$W = P_2 V_2 - P_1 V_1 \quad (4)$$

۱۲۳- اگر در یک موتور بنزینی دمای متوسط در مرحله احتراق 1527°C و دمای آب رادیاتور 17°C باشد، بیشینه راندمان موتور (با فرض چرخه کارنو) چقدر است؟

$$\frac{5}{6} \quad (1)$$

$$\frac{2}{3} \quad (2)$$

$$\frac{1}{4} \quad (3)$$

$$\frac{1}{2} \quad (4)$$

۱۲۴- یک سیستم سیلندر و پیستون حاوی 20 g بخار آب اشباع با آنتالپی $2000 \frac{\text{kJ}}{\text{kg}}$ و فشار ثابت است. المان درون مخزن به برق متصل شده و جریانی معادل 2 A به مدت 5 min از یک منبع 100 V عبور می‌کند. اگر اتلاف حرارت برابر با 3 kJ باشد، آنتالپی نهایی بخار چند کیلوژول بر کیلوگرم است؟

$$1800 \quad (1)$$

$$1850 \quad (2)$$

$$2150 \quad (3)$$

$$2200 \quad (4)$$

۱۲۵- هوا با سرعت $200 \frac{\text{m}}{\text{s}}$ و آنتالپی $200 \frac{\text{kJ}}{\text{kg}}$ وارد شیبوره یک موتور جت می‌شود. با فرض ناچیز بودن انرژی جنبشی خروجی و انتقال حرارت، آنتالپی هوا در خروجی چند کیلوژول بر کیلوگرم است؟

$$400 \quad (1)$$

$$220 \quad (2)$$

$$200 \quad (3)$$

$$180 \quad (4)$$

۱۲۶- در سیالات شبه پلاستیک (Pseudoplastic) با افزایش تنش برشی، لزجت (گران‌روی) چگونه تغییر می‌کند؟

(۱) به صورت خطی افزایش می‌یابد.

(۲) به صورت نمایی افزایش می‌یابد.

(۳) کاهش می‌یابد.

(۴) تغییر نمی‌کند.

۱۲۷- فشار دستگاهی برابر با ۱۰ کیلوپاسکال اندازه‌گیری شده است. فشار بارومتر ۵۰۰ میلی‌متر جیوه است. فشار مطلق دستگاه چند متر آب است؟ (چگالی ویژه جیوه ۱۴ فرض شود)

(۱) ۷

(۲) ۸

(۳) ۱۴

(۴) ۱۵

۱۲۸- در لوله‌ای به شعاع R جریانی آرام با توزیع سرعت $V = V_{\max} [1 - (\frac{r}{R})^2]$ برقرار است. نیروی وارد از طرف

سیال به واحد طول جدار لوله چقدر است؟

(۱) $\frac{\mu}{\pi} V_{\max}$

(۲) $4\mu\pi V_{\max}$

(۳) $2\mu\pi V_{\max}$

(۴) $\mu\pi V_{\max}$

۱۲۹- اگر قطعه‌ای یخ روی سطح آب شناور باشد، چند درصد حجم یخ در بیرون سطح آب قرار می‌گیرد؟

$$\left(\gamma_{\text{یخ}} = 9000 \frac{\text{N}}{\text{m}^3}\right) \quad \left(\gamma_{\text{آب}} = 10000 \frac{\text{N}}{\text{m}^3}\right)$$

(۱) ۵

(۲) ۱۰

(۳) ۱۵

(۴) ۲۰

۱۳۰- با توجه به شکل، نیروی فشاری قائم F_y وارد بر سطح فوقانی مخزن مکعب شکل به ابعاد $a \times a \times a$ از طرف مایع

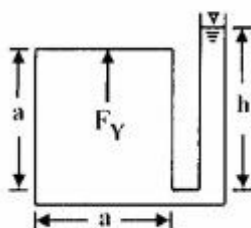
به وزن مخصوص γ چقدر است؟

(۱) $\gamma(a^2h - a^3)$

(۲) $\gamma(a^2h + a^3)$

(۳) $\gamma(a^2h + a^3)$

(۴) $\gamma(a^2h - a^3)$



ابزار اندازه‌گیری:

۱۳۱- در یک ثابت در شرایط مقیاس $\frac{3}{4}FS$ (مقیاس کل 400mV) انحراف عقربه ± 3 واحد است. دقت دستگاه چند

درصد است؟

(۱) ۰٫۱۳۳

(۲) ۰٫۰۱

(۳) ۱

(۴) ۱٫۳۳

- ۱۳۲- خنثی بودن دمای کدام حسگر نسبت به کرنش سنج یک مزیت محسوب می‌شود؟
 (۱) RTD (۲) RVDT (۳) شتاب‌سنج (۴) پیرو مقاومتی
- ۱۳۳- انکودر (Encoder) برای اندازه‌گیری چه پارامتری قابل استفاده است؟
 (۱) نیرو (۲) سرعت دورانی (۳) شتاب (۴) مدولاسیون
- ۱۳۴- تعداد مناسب کرنش‌سنج در لودسل نوع S شکل کدام است؟
 (۱) ۲ (۲) ۴ (۳) ۶ (۴) ۸
- ۱۳۵- کدام حسگرها برای اندازه‌گیری دبی سیال در محیط بسته مناسب‌تر می‌باشند؟
 (۱) جریان متر و سیم داغ (۲) ونتوری متر و فلومتر زانویی
 (۳) فیلم داغ و جابه‌جایی مثبت (۴) داپلر لیزری و بادسنج فنجان‌ی
- ۱۳۶- کدام حسگرها در ساخت شتاب‌سنج قابل استفاده می‌باشند؟
 (۱) RTD و LVDT (۲) پیروبیوم و ترمیستور
 (۳) کرنش‌سنج و پیروبیوم (۴) پیروالکترونیک و پیرومغناطیس
- ۱۳۷- کدام مورد، ویژگی‌های حسگر مقاومتی دما (RTD) است؟
 (۱) بسیار پایدار و دقیق (۲) خودگرمایی و خطی
 (۳) ارزان و خطی (۴) دقیق و خطی
- ۱۳۸- کدام مورد، در انتخاب مبدل یا حسگر برای یک سامانه اندازه‌گیری مهم‌تر است؟
 (۱) وزن و حجم کم (۲) اینرسی و وزن کم
 (۳) انرژی و توان کم (۴) وزن و انرژی مصرفی کم
- ۱۳۹- در طراحی مبدل‌های آنالوگ به دیجیتال کدام روش قابل استفاده است؟
 (۱) فلش (۲) سری (۳) موازی (۴) مشتق‌گیری
- ۱۴۰- کدام حسگر دما دارای خروجی بالا و عکس‌العمل سریع است؟
 (۱) پیرومتر (۲) ترموکوپل (۳) ترمیستور (۴) RTD
- ۱۴۱- خطای صفر اندازه‌گیری دستگاه در ۱۸۰ ساعت کار ۰.۹٪ گزارش شده است. مقدار انحراف بر حسب $\frac{mV}{h}$ برای ولتاژ ۱۰۰ mV چقدر است؟
 (۱) ۰.۰۱ (۲) ۰.۰۵ (۳) ۰.۵ (۴) ۰.۱
- ۱۴۲- تعداد سیم‌پیچ‌های حسگر LVDT کدام مورد است؟
 (۱) ۱ (۲) ۲ (۳) ۳ (۴) ۴
- ۱۴۳- کدام مورد از مشخصات عمومی ثبات‌ها است؟
 (۱) قابلیت تکرار و دقت (۲) حساسیت و امپدانس ورودی
 (۳) دقت و صفر اندازه‌گیری (۴) حساسیت و قابلیت تکرار

۱۴۴- اگر کرنش لودسل بازویی $\epsilon = \frac{P}{AE}$ باشد و ۴ کرنش سنج در لودسل استفاده شود و $\frac{\Delta R}{R} = S_g \epsilon$ باشد، حساسیت لودسل کدام مورد است؟ (۷ ضریب پواسون، V_s ولتاژ ورودی پل، E مدول الاستیسیته و A سطح مقطع می‌باشد).

$$S = \frac{S_g (1 + \nu) V_s}{2AE} \quad (1)$$

$$S = \frac{S_g V_s}{2AE} \quad (3)$$

$$S = \frac{S_g \nu}{2AE} \quad (4)$$

۱۴۵- برای شرایط استاتیکی با پایداری طولانی مدت در اندازه‌گیری نیرو، کدام حسگر در ساخت لودسل مناسب‌تر است؟

(۱) پیزوبیم (۲) کرنش سنج (۳) پیزوالکتریک (۴) LVDT

۱۴۶- برای ثبت خروجی با فرکانس بیش از ۴۰۰ kHz کدام ثبات مناسب است؟

(۱) دیتالاگر (۲) اسیلوسکوپ (۳) اسیلوگراف (۴) X-Y رکورد

۱۴۷- کدام مورد در ساخت یک حسگر فشار دیجیتالی قابل استفاده است؟

(۱) کرنش سنج و لوله بردن (۲) کرنش سنج و LVDT
(۳) پیزوالکتریک و پیرومتر (۴) پیزوالکتریک و پیرومقاومت

۱۴۸- حساسیت یک ترموکوپل $0.5 \frac{mV}{^\circ C}$ است. مقدار انحراف برای تغییر دمای $20^\circ C$ چند میلی‌ولت است؟

(۱) ۰/۰۵

(۲) ۰/۵

(۳) ۱

(۴) ۱۰

۱۴۹- یک مبدل خازنی دارای دو صفحه به مساحت π سانتی‌متر مربع و فاصله هوایی ۱ میلی‌متر است. حساسیت

جابه‌جایی در اثر تغییر فاصله هوایی برحسب $\frac{PF}{cm}$ چقدر است؟ ($\epsilon_{وا} = 1$) $C = \frac{\epsilon A}{3.6\pi d}$

(۱) $\frac{100}{36}$

(۲) $\frac{1000}{36}$

(۳) $-\frac{100}{36}$

(۴) $-\frac{1000}{36}$

۱۵۰- پایین بودن خطای بارگذاری از مزایای کدام سیستم اندازه‌گیری است؟

(۱) دستی (۲) خنثی (۳) انحرافی (۴) خود مولد

۱۵۱- کدام حسگر برای کنترل روشنایی معابر قابل استفاده است؟

(۱) فتورسانا (۲) فتودیود (۳) فتوگسیلنده (۴) فتولتایی

۱۵۲- فرکانس حسگر دورسنج 10000 Hz است. برای اندازه‌گیری دور محوری که 6000 دور در دقیقه سرعت دورانی دارد، تعداد دندانه‌های چرخ‌دنده مورد استفاده چند عدد است؟

(۱) ۱۰

(۲) ۶۰

(۳) ۱۰۰

(۴) ۶۰۰

۱۵۳- برای طراحی یک لودسل حلقوی به منظور اندازه‌گیری مقاومت کششی گاوآهن‌ها، کدام حسگرها قابل استفاده هستند؟

(۱) کرنش‌سنج و پیزوبیم

(۲) کرنش‌سنج و LVDT

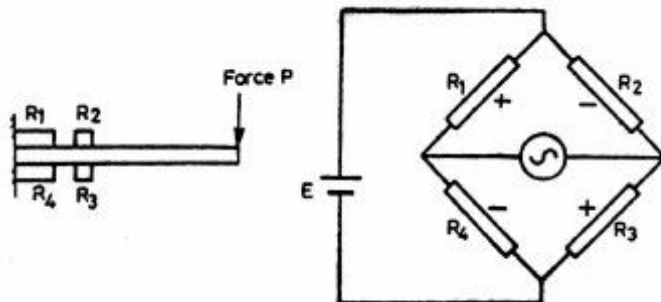
(۳) پیزوالکتریک و پیرومتر

(۴) کرنش‌سنج و پیزوالکتریک

۱۵۴- با توجه به شکل روبه‌رو، حساسیت لودسل نسبت به حالتی که یک کرنش‌سنج استفاده شود، چقدر افزایش می‌یابد؟

(۱) ۲

(۲) ۴

(۳) $1 + \nu$ (۴) $2(1 + \nu)$ 

۱۵۵- کدام مورد دربارهٔ مقاومت الکتریکی یک ترمیستور NTC درست است؟

(۱) با افزایش دما کاهش می‌یابد.

(۲) با افزایش دما افزایش می‌یابد.

(۳) با تغییر دما تغییری نمی‌کند.

(۴) در دماهای پایین افزایش و در دماهای بالا کاهش می‌یابد.