



104  
C

نام :  
نام خانوادگی :  
محل امضاء :

صبح چهارشنبه  
۹۳/۱۱/۱۵



جمهوری اسلامی ایران  
وزارت علوم، تحقیقات و فناوری  
سازمان سنجش آموزش کشور

اگر دانشگاه اصلاح شود مملکت اصلاح می‌شود.  
امام خمینی (ره)

## آزمون ورودی دوره‌های کارشناسی ارشد ناپیوسته داخل - سال ۱۳۹۴

### مجموعه مهندسی مکانیک - کد ۱۲۶۷

مدت پاسخگویی: ۱۸۰ دقیقه

تعداد سؤال: ۱۷۰

عنوان مواد امتحانی، تعداد و شماره سؤالات

ردیف	مواد امتحانی	تعداد سؤال	از شماره	تا شماره
۱	زبان عمومی و تخصصی	۳۰	۱	۳۰
۲	ریاضی (ریاضی عمومی ۱، ۲، معادلات دیفرانسیل، ریاضی مهندسی)	۲۰	۳۱	۵۰
۳	حرارت و سیالات (ترمودینامیک، مکانیک سیالات، انتقال حرارت)	۲۰	۵۱	۷۰
۴	جامدات (استاتیک، مقاومت مصالح، طراحی اجزاء)	۲۰	۷۱	۹۰
۵	دینامیک و ارتعاشات (دینامیک، ارتعاشات، دینامیک ماشین، کنترل)	۲۰	۹۱	۱۱۰
۶	ساخت و تولید (ماشین‌ابزار، قالب‌پرس، علم مواد، ماشین‌های کنترل عددی، اندازه‌گیری، تولید مخصوص، هیدرولیک و نیوماتیک، مدیریت تولید)	۲۰	۱۱۱	۱۳۰
۷	مبانی بیومکانیک ۱ و ۲	۲۰	۱۳۱	۱۵۰
۸	دروس پایه پزشکی (فیزیولوژی، آناتومی، فیزیک پزشکی)	۲۰	۱۵۱	۱۷۰

این آزمون نمره منفی دارد.  
استفاده از ماشین حساب مجاز نیست.

بهمن ماه - سال ۱۳۹۳

حق چاپ، تکثیر و انتشار سؤالات به هر روش (الکترونیکی و ...) پس از برگزاری آزمون، برای تمامی اشخاص حقیقی و حقوقی تنها با مجوز این سازمان مجاز می‌باشد و یا متخلفین برابر مقررات رفتار می‌شود.



**PART A: Vocabulary**

**Directions:** Choose the word or phrase (1), (2), (3), or (4) that best completes each sentence. Then mark your answer sheet.

- 1- All this rumor going around the new manager is baseless and I ----- it all categorically.  
1) conceal                      2) annoy                      3) refute                      4) replace
- 2- A number of notable scholars and writers appeared by 788 and, by the last decade of the eighth century, a cultural revival was in full -----.  
1) commitment                      2) indication                      3) expertise                      4) bloom
3. To those captivated by the spell of the free market, nothing seems good or normal that does not ----- with its requirements.  
1) emerge                      2) accord                      3) endow                      4) symbolize
- 4- In my opinion, ancient artifacts are part of our global cultural -----, which should be available for all to appreciate.  
1) curiosity                      2) encounter                      3) mythology                      4) heritage
- 5- To make the business world a fair one, the government is doing whatever it takes to ----- the development of the minority business sector.  
1) accelerate                      2) exhibit                      3) reconcile                      4) uncover
- 6- One of the main points at ----- is that the whole international community wants a peace agreement to be signed as quickly as possible.  
1) issue                      2) dawn                      3) front                      4) summit
- 7- As Mary academic record was -----, the prestigious university refused to grant admission to her.  
1) imitative                      2) complex                      3) mediocre                      4) thorough
- 8- One ----- of the new pesticide is that it decreases plant fecundity.  
1) debate                      2) challenge                      3) drawback                      4) objection
- 9- He said that developed countries had a responsibility to ----- global economic growth to help new democracies.  
1) intend                      2) foster                      3) determine                      4) compare
- 10- The hypothesis had to be backed up by empirical evidence in order to be considered -----.  
1) deliberate                      2) formidable                      3) sketchy                      4) credible

**PART B: Cloze Passage**

**Directions:** Read the following passage and decide which choice (1), (2), (3), or (4) best fits each space. Then mark your answer sheet.

We are so surrounded by gadgetry that it is sometimes hard to tell where devices end and people begin. From computers and scanners to multifarious mobile devices, (11) ----- spend much of their conscious lives interacting with the world through electronics, the only barrier between brain and machine (12) ----- the senses — sight, sound and touch — through (13) ----- humans and devices interface. But remove those senses from the equation, (14) ----- electronic devices can become our eyes and ears and even our arms and legs, taking in the world around us and (15) ----- with it through man-made software and hardware.

- 11- 1) the increasing humans number                      2) an increasing number of humans  
3) increasing humans in number                      4) humans of increasing number
- 12- 1) being                      2) is                      3) to be                      4) are
- 13- 1) which                      2) those                      3) those of which                      4) them



- |                    |              |                  |                |
|--------------------|--------------|------------------|----------------|
| 14- 1) then        | 2) and that  | 3) and           | 4) whereas     |
| 15- 1) to interact | 2) interacts | 3) they interact | 4) interacting |

**Part C: Reading Comprehension**

**Directions:** Read the following three passages and answer the questions by choosing the best choice (1), (2), (3), or (4). Then mark the correct choice on your answer sheet.

**PASSAGE 1:**

Heat is defined as thermal energy transferred across the boundaries of a system solely because of a temperature difference between the system and its surroundings. Specially, heat is transferred from a body at higher temperature to a body in contact at lower temperature.

The actual physical ways in which heat can be transferred from a system to its surroundings are threefold: conduction, convection, and radiation. In a conduction process, physical contact between media is required, and in convection process, heat is transferred by external movement of a liquid or a gas from one location to another. In a radiation heat transfer process, however, thermal energy is transferred by means of electromagnetic waves; neither physical contact nor material media between the bodies is necessary.

In a number of thermodynamic devices, the transfer of heat or work is accomplished while the substance undergoes a change of phase. The vaporizing process is one example of phase change namely from liquid phase to gaseous phase. Although heat continues to be added to the water, thermometers placed in the water will show no increase in temperature until after all the water is vaporized. When heat is removed from the steam vapor at atmospheric pressure and 212 °F, the vapor returns to the liquid phase or condenses. Since the latent heats of phase change are given for a unit mass, the heat released or absorbed by a mass  $m$  in the process of phase change is  $Q=mLH$ , where  $LH$  represents the appropriate latent heat.

A process that occurs without heat transfer to or from a system is called an adiabatic process. For example, a process taking place in a well insulated container can be considered adiabatic. The combustion gases being accelerated in a rocket nozzle are at extremely high temperature. However, we can generally approximate the thermodynamic process that occurs in the nozzle as adiabatic.

- 16- **Removing heat from the steam vapor at atmospheric pressure causes ----- .**  
 1) the substance to be vaporized in a rapid manner  
 2) the vapor to be returned to the liquid phase  
 3) the substance to be fixed in its container  
 4) the vapor to be increased in its container
- 17- **Energy transfer across a boundary as a result of a ----- difference between a system and its surroundings is called heat transfer.**  
 1) mass                      2) material                      3) quality                      4) temperature
- 18- **The latent heat of ----- of a substance is the heat added per unit mass of a liquid to change it to a vapor at the same pressure.**  
 1) vapor                      2) vapored                      3) vaporizes                      4) vaporization
- 19- **It is possible to approximate the acceleration of combustion gases in a rocket nozzle at extremely high temperature as adiabatic process, because -----**  
 1) the rocket is insulated from its surroundings  
 2) there is an extremely high temperature difference  
 3) there is a short time for heat transfer from the gases  
 4) the rocket travels in a very low pressure at atmospheres



20- Thermal energy in a radiative manner is transferred via -----

- |                       |                          |
|-----------------------|--------------------------|
| 1) internal movements | 2) electromagnetic waves |
| 3) material media     | 4) physical contact      |

**PASSAGE 2:**

The four basic forces acting upon an aircraft in flight are lift, weight, thrust, and drag. Lift is a component of the total aerodynamic force on an airfoil and acts perpendicular to the relative wind. Relative wind is the direction of the airflow with respect to an airfoil. This force acts straight up from the average center of pressure, which is called the center of lift. It should be noted that it is a point along the chord line of an airfoil through which all aerodynamic forces are considered to act. The magnitude of lift varies proportionally with speed, air density, shape and size of the airfoil, and angle of attack. During straight-and-level flight, lift and weight are equal. Weight is the force exerted by an aircraft from the pull of gravity. It acts on an aircraft through its center of gravity and is straight down. This should not be confused with the center of lift which can be significantly different from the CG. As an aircraft is descending, weight is greater than lift. Thrust is a force that drives an aircraft through the air and can be measured in Newton (N) or Pound (lbf). It is a component that is parallel to the center of thrust and overcomes drag providing the aircraft with its forward speed component. Finally, drag is the net aerodynamic force parallel to the relative wind and is generally a sum of two components: induced drag and parasite drag. Induced drag is caused from the creation of lift and increases with angle of attack. Therefore, if the wing is not producing lift, induced drag is zero. Conversely, induced drag decreases with airspeed. Parasite drag is all drag not caused from the production of lift. Parasite drag is created by displacement of air by the aircraft, turbulence generated by the airfoil, and the hindrance of airflow as it passes over the surface of the aircraft or components, and increases with its speed. All of these forces create drag not from the production of lift but from the movement of an object through air. Total lift must overcome the total weight of the aircraft, which is comprised of the actual weight and the tail-down force used to control the aircraft's pitch attitude. Thrust must overcome total drag in order to provide forward speed with which lift is produced. Understanding how the aircraft is a relationship between these elements and the environment, provides a proper interpretation of the aircraft's instruments.

21- The passage is mainly about ----- .

- |                                  |                                    |
|----------------------------------|------------------------------------|
| 1) principles of flight          | 2) aerodynamic factors in aircraft |
| 3) aeromedical factors in flight | 4) uncontrolled aerospace forum    |

22- According to the passage, induced drag----- .

- 1) is caused by the generation of lift
- 2) is caused by friction and pressure
- 3) changes the speed and direction of airflow
- 4) occurs in airplanes due to a change of velocity

23- The word "perpendicular" in line 2 is closest in meaning to ----- .

- |            |          |             |             |
|------------|----------|-------------|-------------|
| 1) upright | 2) rapid | 3) immobile | 4) flexible |
|------------|----------|-------------|-------------|



**PASSAGE 3:**

Cam-and-follower mechanisms, as linkages can be divided into two basic groups:

1. Planar cam mechanisms
2. Spatial cam mechanisms

In a planar cam mechanism, all the points of the moving links describe paths in parallel planes. In a spatial mechanism, that requirement is not fulfilled. The design of mechanisms in the two groups has much in common. Thus the fundamentals of planar cam mechanism design can be easily applied to spatial cam mechanism. Flexibility of the actual cam systems requires, in addition to the operating speed, some data concerning the dynamic properties of components in order to find discrepancies between rigid and deformable systems. Such data can be obtained from dynamic models. Almost every actual cam system can with certain simplifications, be modeled by a one-degree-of-freedom system. In a typical model of a cam system,  $m_e$  denotes an equivalent mass of the system,  $k_e$  equals equivalent stiffness, and  $s$  and  $y$  denote, respectively, the input (coming from the shape of the cam profile) and the output of the system. The equivalent mass  $m_e$  of the system can be calculated based on the assumption that the kinetic energy of that mass equals the kinetic energy of all the links of the mechanism. The equivalent stiffness  $k_e$  can be found from direct measurements of the actual system (after a known force is applied to the last link in the kinematic chain and the displacement of that link is measured), and/or by assuming that  $k_e$  equals the actual stiffness of the most flexible link in the chain. In the latter case,  $k_e$  can usually be calculated from data from the drawing, since the most flexible links usually have a simple form (e.g., a push rod in the automotive cam). In such

a model, the natural frequency of the mass  $m_e$  is  $\omega_e = \sqrt{\frac{k_e}{m_e}}$  and

should be equal to the fundamental frequency of the actual system.

**24- It can be inferred from the paragraph that ----- .**

- 1) the effective mass is only defined for planar cam mechanisms
- 2) the effective mass can be calculated by adding the mass of all the links
- 3) the effective mass can be calculated by writing the kinetic energy of the entire system
- 4) the moment of inertia of the links does not have any effect on the effective mass of the cam system

**25- It can be inferred from the paragraph that ----- .**

- 1) the design methodologies for planar and spatial cams are quite different
- 2) the design procedures of planar and spatial cam mechanisms are very similar
- 3) it is common to design a planar cam first, and then modify its design for a spatial application
- 4) the cam design fundamentals are first outlined for spatial cams, and then they are extended for planar cams

**26- The paragraph states that ----- .**

- 1) the flexibility of the cam mechanism should not be equal with the flexibility of the actual system
- 2) the flexibility of the cam mechanism depends on whether it is a planar cam or a spatial cam
- 3) the vibration of the cam mechanism should also be considered in its design
- 4) cam mechanisms are categorized in the deformable systems

- 27- It can be inferred from the above paragraph that the effective stiffness of the ----- .
- 1) system can be identified experimentally
  - 2) cam system is the sum of the stiffnesses of all the links
  - 3) cam system is determined by the link that has the highest stiffness
  - 4) system can be calculated by writing the kinetic energy of the entire system

Choose the best choice (1),(2),(3), or(4) and then mark the correct choice on your answer sheet.

- 28- The moment ----- by a shaft on a body is equal in magnitude and opposite in ----- to the moment required to ----- the shaft.
- 1) extorted / source / force
  - 2) expanded/ motion / bend
  - 3) exerted / sense / twist
  - 4) extended / displacement / move
- 29- The ----- force will be zero in the absence of ----- and aerodynamic forces.
- 1) resultant / drag
  - 2) drag / frictional
  - 3) magnitude of the / drag
  - 4) amplitude of the / resultant
- 30- If the bodies are elastic and ----- after impact, the ----- can be used to relate the relative velocity of departure of the points of contact to their relative velocity of approach.
- 1) break / force of impact
  - 2) dispatch / accelerations
  - 3) deform / linear momentum
  - 4) rebound / coefficient of restitution

ریاضی (ریاضی عمومی ۱، ۲، معادلات دیفرانسیل، ریاضی مهندسی):

۳۱- برای معادله  $\frac{1}{2}x^2 = x \sin x + \cos x$  ، کدام گزینه صحیح است؟

- (۱) فقط یک ریشه حقیقی دارد.
- (۲) دو ریشه یکسان دارد.
- (۳) دقیقاً دو ریشه حقیقی متمایز دارد.
- (۴) ریشه حقیقی ندارد.

۳۲- مقدار  $\lim_{x \rightarrow \infty} \frac{(1+x)^x - e}{x}$  ، کدام است؟

- (۱)  $-\frac{e}{2}$
- (۲) ۰
- (۳)  $\frac{e}{2}$
- (۴) e



۳۳- مقدار انتگرال  $\int_0^{\frac{\pi}{2}} \frac{2 \sin x + \cos x}{2 \sin x - 3 \cos x} dx$  ، کدام است؟

(۱)  $\frac{\pi}{2} + \ln \frac{2}{3}$

(۲)  $\frac{\pi}{2} + \ln 6$

(۳)  $\frac{3\pi}{2} + 5 \ln \frac{2}{3}$

(۴)  $\frac{3\pi}{2} + 5 \ln 6$

۳۴- طول قوس  $x^{\frac{2}{3}} + y^{\frac{2}{3}} = a^{\frac{2}{3}}$  (  $a > 0$  ثابت)، کدام است؟

(۱)  $3a$

(۲)  $3a^{\frac{2}{3}}$

(۳)  $6a$

(۴)  $6a^{\frac{2}{3}}$

۳۵- مقدار همگرایی  $\sum_{n=1}^{\infty} \frac{n(-1)^n}{(n+1)!}$  ، کدام است؟

(۱) ۱

(۲)  $\frac{1}{e}$

(۳)  $3 - \frac{2}{e}$

(۴)  $\frac{2}{e} - 1$

۳۶- معادله‌های  $\begin{cases} u = x^2 + y^2 \\ v = x^2 - 2xy^2 \end{cases}$  ، متغیرهای  $x$  و  $y$  را به‌طور ضمنی به صورت توابعی از  $u$  و  $v$  تعریف می‌کنند.

به ازای مقادیر  $(x, y)$  نزدیک  $(1, 2)$  و مقادیر  $(u, v)$  نزدیک  $(5, -7)$  مقادیر  $\frac{\partial y}{\partial u}$  و  $\frac{\partial x}{\partial u}$  در

$(u, v) = (5, -7)$  به ترتیب از راست به چپ کدام است؟

(۱)  $\frac{3}{4}, -1$

(۲)  $\frac{4}{3}, -1$

(۳)  $\frac{3}{4}, 1$

(۴)  $\frac{11}{21}, \frac{5}{6}$

۳۷- فاصله نقطه  $(\sqrt{2}, 0, 0)$  از سهمی گون هذلولوی  $z = x^2 - 2y^2$ ، کدام است؟

$$\sqrt{\frac{8}{33}} \quad (1)$$

$$\sqrt{\frac{29}{48}} \quad (2)$$

$$1 \quad (3)$$

$$\frac{\sqrt{2}}{2} \quad (4)$$

۳۸- مقدار  $\frac{\partial^{2n}}{\partial x^{2n} \partial y^{2n}} \left( \frac{1}{1+x^2+y^2} \right) \Big|_{(0,0)}$  (یعنی مقدار  $\frac{\partial^{2n} f(0,0)}{\partial x^{2n} \partial y^{2n}}$ )، که در آن  $f(x,y) = \frac{1}{1+x^2+y^2}$ ، کدام است؟

(راهنمایی: می‌توانید از بسط تابع  $f$  به سری در مجاورت  $(0,0)$  استفاده کنید.)

$$\frac{(2n)!}{(n!)^2} \quad (1)$$

$$\frac{1}{((2n)!)^2} \quad (2)$$

$$\frac{(4n)!}{((2n)!)^2} \quad (3)$$

$$\frac{((2n)!)^2}{(n!)^2} \quad (4)$$

۳۹- اگر  $D$ ، ناحیه محدود به مثلثی با رئوس  $(0,0)$ ،  $(2, \frac{1}{2})$  و  $(2,2)$  باشد، حاصل  $\iint_D \sqrt{x^2 - xy} \, dA$ ، کدام است؟

$$\frac{\sqrt{2}}{2} \quad (1)$$

$$\frac{2}{\sqrt{2}} \quad (2)$$

$$\sqrt{2} \quad (3)$$

$$2\sqrt{2} \quad (4)$$

۴۰- میانگین فاصله نقاط ناحیه  $D$  ربع قرص  $x^2 + y^2 \leq r_0^2$  واقع در ربع اول صفحه تا خط  $x+y=0$ ، کدام است؟

$$\frac{2\sqrt{2}r_0}{2\pi} \quad (1)$$

$$\frac{4r_0}{2\pi} \quad (2)$$

$$\frac{4\sqrt{2}r_0}{2\pi} \quad (3)$$

$$\frac{8r_0}{2\pi} \quad (4)$$



۴۱- جواب مسئله مقدار اولیه  $y(1) = 0$  و  $xy' \tan y + y' e^{\sin y} = 1$  کدام است؟

$$\sin x = \ln(y \cos x) \quad (1)$$

$$\cos x = \ln(y \sin x) \quad (2)$$

$$\sin y = \ln(x \cos y) \quad (3)$$

$$\cos y = \ln(x \sin y) \quad (4)$$

۴۲- جواب معادله دیفرانسیل زیر با شرایط اولیه بیان شده، کدام است؟

$$y' = \frac{1 - x^2 y^2 \cos^2 x}{y^2 (1 + x^2) \cos^2 x}, y(0) = 1$$

$$x^2 (1 + y^2) + 2 \tan x = 1 \quad (1)$$

$$y^2 (1 + x^2) - 2 \tan x = 1 \quad (2)$$

$$x^2 (1 + y^2) + 2 \tan x = -1 \quad (3)$$

$$y^2 (1 + x^2) + 2 \tan x = -1 \quad (4)$$

۴۳- جواب عمومی معادله دیفرانسیل زیر، کدام است؟

$$\left(\frac{d^2}{dx^2} + 1\right)y = 12 \cos^2 x$$

$$y = C_1 \cos x + C_2 \sin x + 6 - 2 \cos 2x \quad (1)$$

$$y = (C_1 + 6) \cos x + (C_2 - 2) \sin x \quad (2)$$

$$y = C_1 \cos 2x + C_2 \sin 2x + 3 \sin x \quad (3)$$

$$y = (C_1 + 6) \cos 2x + (C_2 - 2) \sin 2x \quad (4)$$

۴۴- جواب عمومی معادله دیفرانسیل  $y'' + (\tan x)y' = \cos^2 x$ ، کدام است؟

$$y = -\cos^2 x + C_1 \sin x + C_2 \quad (1)$$

$$y = \sin^2 x + C_1 \cos x + C_2 \quad (2)$$

$$y = -\frac{1}{4} \cos 2x + C_1 \sin x + C_2 \quad (3)$$

$$y = \frac{1}{4} \sin 2x + C_1 \cos x + C_2 \quad (4)$$

۴۵- تبدیل لاپلاس تابع  $te^{at} \sin bt$ ، کدام است؟

$$\frac{2b(s-a)}{((s-a)^2 - b^2)^2} \quad (1)$$

$$\frac{-2b(s-a)}{((s-a)^2 + b^2)^2} \quad (2)$$

$$\frac{-2b(s-a)}{((s-a)^2 - b^2)^2} \quad (3)$$

$$\frac{2b(s-a)}{((s-a)^2 + b^2)^2} \quad (4)$$

۴۶- تصویر ناحیه  $y \leq x$  تحت نگاشت  $w = \frac{z+2i}{2i-z}$  ، کدام است؟

- (۱) داخل دایره‌ای به مرکز  $(1,0)$  و شعاع ۱
- (۲) داخل دایره‌ای به مرکز  $(0,-1)$  و شعاع  $\sqrt{2}$
- (۳) خارج دایره‌ای به مرکز  $(1,0)$  و شعاع  $\sqrt{2}$
- (۴) خارج دایره‌ای به مرکز  $(0,-1)$  و شعاع ۱

۴۷- سری لوران تابع  $f(z) = \frac{\sin z}{z-\pi}$  حول نقطه  $z = \pi$  ، کدام است؟

- (۱)  $\sum_{n=0}^{\infty} \frac{(-1)^n (z-\pi)^{2n}}{(2n)!}$
- (۲)  $\sum_{n=0}^{\infty} \frac{(-1)^{n+1} (z-\pi)^{2n}}{(2n)!}$
- (۳)  $\sum_{n=0}^{\infty} \frac{(-1)^n (z-\pi)^{2n}}{(2n+1)!}$
- (۴)  $\sum_{n=0}^{\infty} \frac{(-1)^{n+1} (z-\pi)^{2n}}{(2n+1)!}$

۴۸- حاصل انتگرال  $I = \oint_C z^2 e^{\frac{1}{z-1}} dz$  که در آن  $C$  دایره‌ای به مرکز مبدأ با شعاع ۲ می‌باشد، کدام است؟

- (۱)  $\frac{13\pi i}{3}$
- (۲)  $\frac{7\pi i}{3}$
- (۳)  $\frac{5\pi i}{3}$
- (۴)  $\frac{\pi i}{3}$

۴۹- اگر بسط سری کسینوسی نیم دامنه تابع  $f(t) = 1-t$  ،  $0 < t < 2$  ، را بنویسیم.

آنگاه مقدار سری عددی  $\sum_{n=1}^{\infty} \frac{1}{(2n-1)^2}$  ، کدام می‌شود؟

- (۱)  $\frac{\pi^2}{8}$
- (۲)  $\frac{\pi^2}{4}$
- (۳)  $\frac{\pi^2}{2}$
- (۴)  $\pi^2$



۵۰- مسئله زیر را در نظر بگیرید. کدام فرم جواب، برای مسئله داده شده قابل قبول است؟

$$u_t - 9u_{xx} = x + t \quad 0 < x < 1, t > 0$$

$$u(x, 0) = 2x$$

$$u(0, t) = u(1, t) = 0$$

$$u(x, t) = \sum_{n=1}^{\infty} (a_n e^{-n^2 \pi^2 t} + G_n(t)) \sin n\pi x \quad (۱)$$

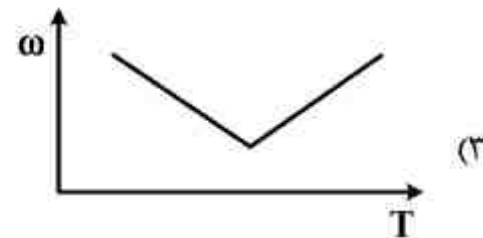
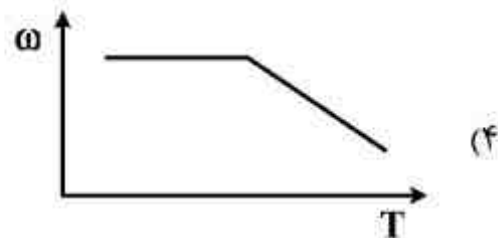
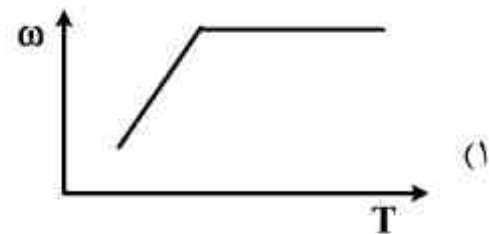
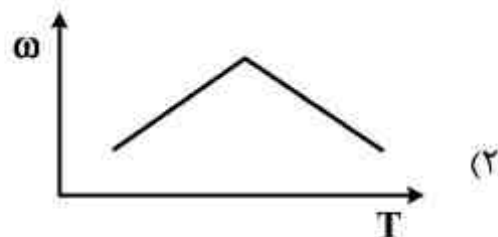
$$u(x, t) = \sum_{n=1}^{\infty} (a_n e^{-9n^2 \pi^2 t} + G_n(t)) \sin n\pi x \quad (۲)$$

$$u(x, t) = \frac{1}{2} G_0(t) + \sum_{n=1}^{\infty} (a_n e^{-n\pi t} + G_n(t)) \cos n\pi x \quad (۳)$$

$$u(x, t) = \frac{1}{2} G_0(t) + \sum_{n=1}^{\infty} (a_n e^{-9n^2 \pi^2 t} + G_n(t)) \cos n\pi x \quad (۴)$$

حرارت و سیالات (ترمودینامیک، مکانیک سیالات، انتقال حرارت):

۵۱- کدام نمودار تغییرات نسبت رطوبت هوای مرطوب با دمای هوا است؟

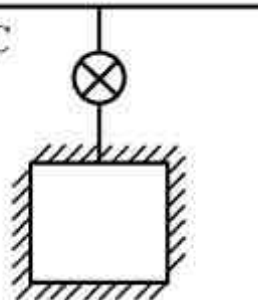


۵۲- گاز ایده‌الی در شرایط  $P = 200 \text{ kPa}$  و  $T = 727^\circ\text{C}$  در یک خط لوله جریان دارد. شیر متصل به مخزنی

کاملاً عایق حرارتی و خالی به حجم  $2 \text{ m}^3$  باز می‌شود (شکل زیر). تا فشار مخزن با فشار خط لوله برابر شود. دمای نهایی مخزن بر حسب دمای سلسیوس  $^\circ\text{C}$  چقدر خواهد شد؟ (نسبت گرماهای ویژه گاز را  $1/3$  فرض

$$P = 200 \text{ kPa}$$

$$T = 727^\circ\text{C}$$



$$\text{کنید، } (k = \frac{c_p}{c_v} = 1/3)$$

(۱) ۷۲۷

(۲) ۹۴۵/۱

(۳) ۱۰۰۰

(۴) ۱۰۲۷

۵۳- جریان گاز کامل در حالت دائم از میان محفظه عایق شده شکل زیر، با دبی ۱۰ کیلوگرم بر ثانیه عبور می‌کند. در مورد جهت جریان سیال، گزینه صحیح کدام است؟



$$\begin{aligned} P_1 &= 100 \text{ kPa} & P_2 &= 500 \text{ kPa} \\ T_1 &= 600 \text{ K} & T_2 &= 900 \text{ K} \\ V_1 &= 1000 \text{ m/s} & V_2 &= 5 \text{ m/s} \end{aligned}$$

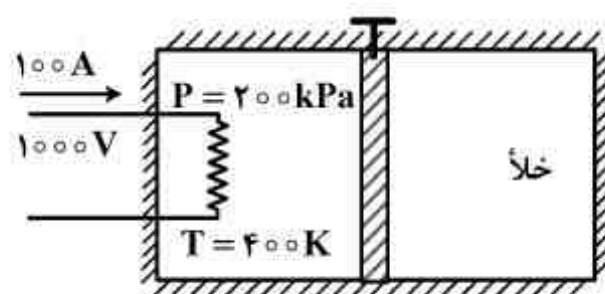
- (۱) جهت جریان از ۱ به ۲ می‌باشد.  
 (۲) جهت X جریان از ۲ به ۱ می‌باشد.  
 (۳) جهت جریان می‌تواند از هر دو سمت باشد.  
 (۴) بر اساس قوانین ترمودینامیک نمی‌توان جهت جریان را پیش‌بینی کرد.
- ۵۴- بازده حرارتی یک چرخه ترکیبی ساده متشکل از یک چرخه توربین گاز و چرخه بخار چند درصد می‌باشد؟ (ابتدا چرخه توربین گاز قرار گرفته و دود خروجی از توربین گاز وارد بویلر بازیاب گرمای چرخه بخار می‌شود. بازده حرارتی هر دو چرخه گاز و بخار ۴۰ درصد فرض شود.)

- (۱) ۵۶  
 (۲) ۶۴  
 (۳) ۸۰  
 (۴) ۸۴

۵۵- در یک نیروگاه حرارتی با دو منبع به دمای  $T_H$  و  $T_L$  مقدار عبارت  $\frac{\dot{Q}_L}{T_L} - \frac{\dot{Q}_H}{T_H}$  برابر  $0.46$  مگاوات بر درجه حرارت کلونین می‌باشد. برگشت‌ناپذیری سیکل به طور تقریبی چند مگاوات است؟ (دمای محیط ۲۷ درجه سلسیوس است.)

- (۱) صفر  
 (۲)  $-12.5$   
 (۳) ۱۳۵  
 (۴)  $12.5$

۵۶- مخزن عایق‌بندی شده شکل زیر به حجم کل  $2 \text{ m}^3$  توسط پیستون بدون اصطکاکی به دو فضای مساوی تقسیم شده است. پیستون در ابتدا توسط پینی ثابت نگه‌داشته شده است. در یک طرف خلأ و در طرف دیگر گاز ایده‌ال به مشخصات  $P = 200 \text{ kPa}$ ،  $T = 400 \text{ K}$ ،  $c_v = 1 \frac{\text{kJ}}{\text{kgK}}$  و  $R = 0.25 \frac{\text{kJ}}{\text{kgK}}$  قرار دارد. اگر پین برداشته شود و در همان زمان هیتر الکتریکی با ولتاژ  $1000 \text{ V}$  و جریان  $100 \text{ A}$  روشن شود و پیستون در ۱ ثانیه به انتهای مخزن برسد، دمای نهایی مخزن چند کلونین می‌شود؟



- (۱) ۳۵۰  
 (۲) ۴۰۰  
 (۳) ۴۴۰  
 (۴) ۴۵۰



۵۷- در یک کوره گازسوز، مخلوطی از ۸۰ درصد حجمی متان ( $CH_4$ ) و ۲۰ درصد حجمی اتان ( $C_2H_6$ ) با ۹۰ درصد هوای تنوری می‌سوزد. نسبت مولی هوا به سوخت برای این احتراق چقدر است؟

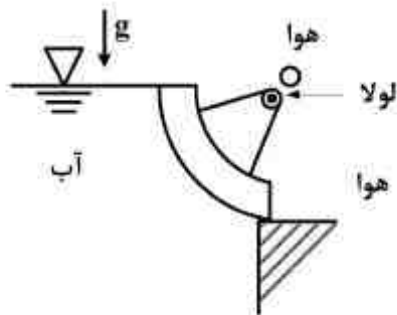
(۱) ۹/۸۵

(۲) ۱۰/۹۵

(۳) ۱۹/۱

(۴) ۸/۶۵

۵۸- یک دریچه ربع استوانه‌ای، مطابق شکل زیر در نقطه O لولا شده است و آب را در سمت چپ خود نگه می‌دارد. با صرف نظر از وزن دریچه، گشتاور لازم در محل لولا برای حفظ دریچه و غلبه برگشتاور نیروهای وارده از طرف آب چقدر است؟ پهنای دریچه W و شعاع آن R است.



(۱) صفر

(۲)  $\frac{\rho g R^2 W}{2}$

(۳)  $\frac{\rho g R^2 W}{3}$

(۴)  $\frac{2\rho g R^2 W}{3}$

۵۹- اگر افت فشار در جریان داخل لوله‌ای به قطر ۴ سانتی‌متر برابر ۰/۱ پاسکال در یک متر باشد، تنش برشی روی دیواره چند پاسکال است؟

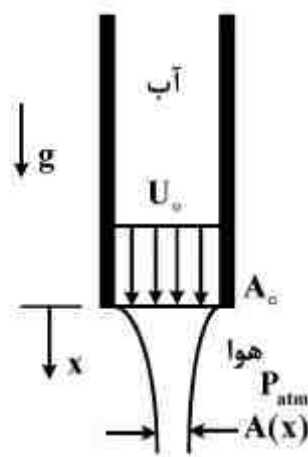
(۱) ۰/۰۴

(۲) ۰/۰۱

(۳) ۰/۰۰۴

(۴) ۰/۰۰۱

۶۰- آب به صورت دائمی از لوله شکل زیر خارج می‌شود. سرعت و سطح مقطع در خروجی لوله به ترتیب  $U_0$  و  $A_0$  می‌باشند. سطح مقطع جت آب خروجی در فاصله x از لوله کدام است؟



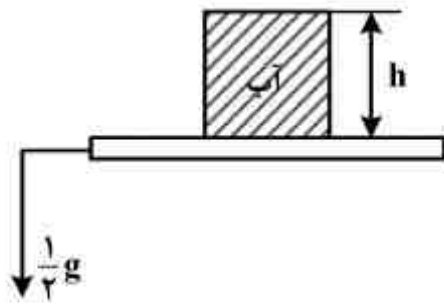
(۱)  $\frac{U_0 A_0}{\sqrt{U_0^2 - 2gx}}$

(۲)  $\frac{U_0 A_0}{\sqrt{U_0^2 + 2gx}}$

(۳)  $\frac{U_0 A_0}{2\sqrt{U_0^2 + 2gx}}$

(۴)  $\frac{2U_0 A_0}{\sqrt{U_0^2 - 2gx}}$

۶۱- تانک مکعبی سر بسته شکل زیر به ابعاد  $h \times h \times h$  پر از سیالی با دانسیته  $\rho$  در آسانسوری قرار دارد و با شتاب  $\frac{1}{4}g$  به سمت پایین حرکت می کند. اختلاف فشار حداکثر و حداقل در مخزن چند برابر  $\rho gh$  می باشد؟



می باشد؟

(۱)  $\frac{1}{2}$

(۲) ۱

(۳)  $\frac{3}{2}$

(۴) ۲

۶۲- در یک جریان دو بعدی تراکم ناپذیر مؤلفه های بردار سرعت به صورت زیر است:

$$u = 3x^2 - 3y^2, \quad v = -6xy$$

سرعت متوسط جریان بر روی خط واصل بین دو نقطه به مختصات  $A(0,0)$  و  $B(1,1)$  چقدر است؟

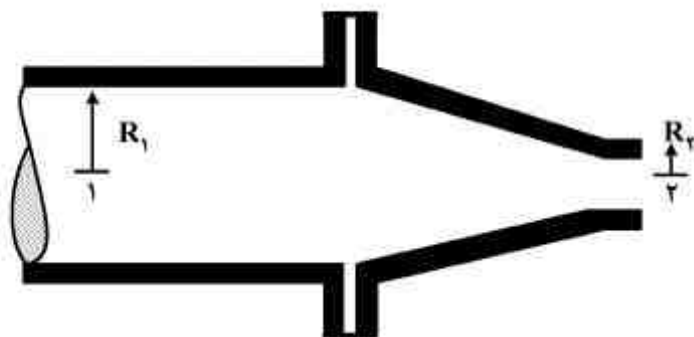
(۱)  $\frac{\sqrt{2}}{2}$

(۲)  $\frac{\sqrt{2}}{4}$

(۳)  $\sqrt{2}$

(۴)  $2\sqrt{2}$

۶۳- سیالی به جرم حجمی  $\rho$  با سرعت  $v_1$  وارد لوله ای به شعاع  $R_1$  شده و از طریق نازلی به شعاع خروجی  $R_2$  با سرعت  $v_2$  وارد محیط می شود. نیروی وارد بر نازل از طرف سیال چند برابر  $\frac{\pi}{4}\rho v_1^2 R_1^2$  می باشد؟



(۱)  $(\frac{R_1}{R_2})^2 + 1$

(۲)  $(\frac{R_2}{R_1})^2 + 1$

(۳)  $[(\frac{R_1}{R_2})^2 - 1]^2$

(۴)  $1 - (\frac{R_2}{R_1})^2$

۶۴- در جریان دائم، آرام و توسعه یافته درون یک لوله افقی، مجموع نیروهای سطحی وارد بر حجم معیار نشان داده شده در جهت جریان، کدام است؟



(۱) منفی

(۲) صفر

(۳) مثبت

(۴) وابسته به افت فشار و اصطکاک منفی یا مثبت



۶۵- از یک صفحه فلزی به ضخامت ۲ میلی‌متر با ضریب هدایت گرمایی  $k = 300 \frac{W}{mK}$  برای انتقال حرارت از سیال A که در یک سمت صفحه جریان دارد به سیال B که در سمت دیگر صفحه در جریان است، استفاده می‌شود، به نحوی که  $h_B = 2500 \frac{W}{m^2K}$  و  $h_A = 60 \frac{W}{m^2K}$  می‌باشد. برای افزایش نرخ انتقال حرارت، گزینه صحیح کدام است؟

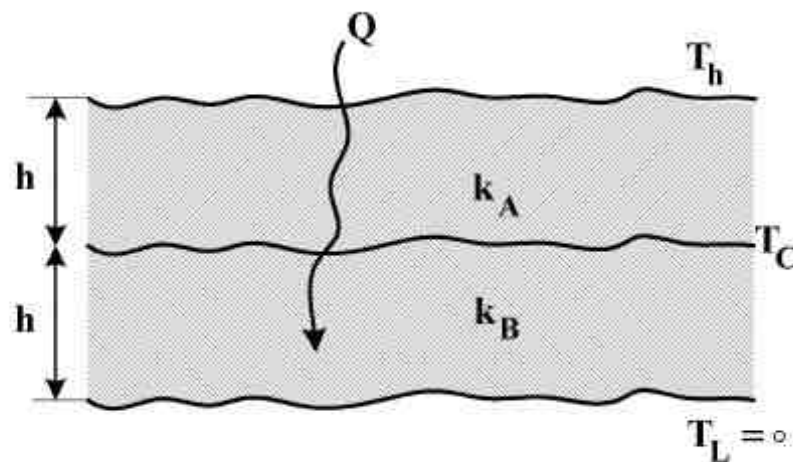
(۱) ضخامت صفحه را افزایش دهیم.

(۲) از پره فلزی هم‌جنس صفحه در سمت سیال A استفاده کنیم.

(۳) از پره فلزی هم‌جنس صفحه در سمت سیال B استفاده کنیم.

(۴) ضخامت صفحه را افزایش دهیم و از پره فلزی در سمت A استفاده کنیم.

۶۶- دو ورقه فلزی A و B با ضخامت‌های یکسان  $h$  و ضرایب هدایت حرارتی  $k_A$  و  $k_B$  در تماس کامل با یکدیگر هستند. سطح آزاد ورقه A در دمای  $T_h$  و سطح آزاد ورقه B در دمای  $T_L = 0K$  قرار داشته و در صورتیکه هدایت حرارتی یک بعدی برقرار باشد، اگر  $k_A = 3k_B$  باشد، کدام رابطه صحیح است؟



$$T_c = \frac{1}{3} T_h \quad (1)$$

$$T_c = \frac{3}{5} T_h \quad (2)$$

$$T_c = \frac{3}{4} T_h \quad (3)$$

$$T_c = \frac{2}{3} T_h \quad (4)$$

۶۷- سیالی با ضریب هدایت حرارتی  $k = 0.4 \frac{W}{m^{\circ}C}$  از روی یک سطح عبور می‌کند. در یک نقطه روی سطح دمای سیال به صورت رابطه  $T = 100 - 2000y + 30000y^2$  داده شده است. (T برحسب درجه سانتی‌گراد و y برحسب متر است) اگر دمای سیال قبل از عبور از روی سطح ۲۰ درجه سانتی‌گراد باشد، ضریب جابه‌جایی گرمایی در این نقطه چند  $\frac{W}{m^2C}$  است؟

$$T_{\infty} = 20^{\circ}C$$



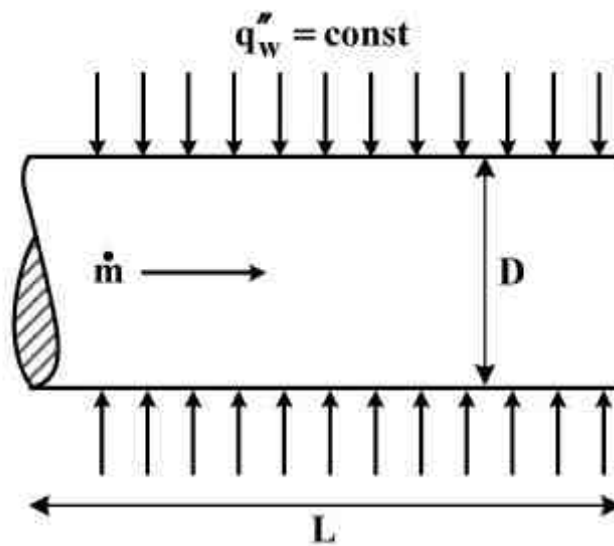
$$10 \quad (1)$$

$$20 \quad (2)$$

$$80 \quad (3)$$

$$800 \quad (4)$$

۶۸- جریان غیرقابل تراکم، آرام و کاملاً توسعه یافته در داخل لوله شکل زیر که تحت شار حرارتی ثابت قرار دارد حرکت می‌کند. اگر دبی جرمی سیال به صورتی که رژیم جریان تغییر نکند افزایش داده شود، کدام عبارت صحیح است؟ (میزان تغییرات دمای متوسط سیال برابر  $\Delta T_m$  می‌باشد.)



- (۱) ضریب جابه‌جایی و  $\Delta T_m$  هر دو افزایش می‌یابند.  
 (۲) ضریب جابه‌جایی تغییر می‌کند ولی  $\Delta T_m$  ثابت می‌ماند.  
 (۳) ضریب جابه‌جایی و  $\Delta T_m$  هر دو ثابت می‌مانند.  
 (۴) ضریب جابه‌جایی ثابت می‌ماند ولی  $\Delta T_m$  کاهش می‌یابد.
- ۶۹- گلوله‌های کروی کوچک فلزی به قطر ۵/۰ سانتی‌متر باید به سرعت خنک شوند. برای این منظور آن‌ها را داخل روغن می‌اندازند. تغییر درجه حرارت مطلوب باید در حد ۲۴ درجه سانتی‌گراد در ثانیه باشد. ضریب جابه‌جایی گرمایی در زمانیکه اختلاف دمایی گلوله و روغن ۶۸ درجه سانتی‌گراد است، باید چند  $\frac{W}{m^2 \cdot ^\circ C}$  باشد تا سرعت سرد شدن مطلوب فراهم گردد؟ (می‌توان گلوله را با ظرفیت حرارتی متمرکز (lumped) در نظر گرفت. برای گلوله  $\rho = ۸۵۰۰ \frac{kg}{m^3}$  و  $c_p = ۴۰۰ \frac{J}{kg \cdot ^\circ C}$  و  $k = ۲۰ \frac{W}{m \cdot ^\circ C}$  می‌باشد.)

(۱) ۳۰۰۰

(۲) ۲۰۰۰

(۳) ۱۰۰۰

(۴) ۵۰۰

- ۷۰- دو جسم سیاه را در دمای ۱۰۰۰ و ۳۰۰۰ کلوین در نظر بگیرید. نسبت شدت تشعشع طیفی در طول موج ۳ میکرون برای جسم ۱۰۰۰K به طول موج ۱ میکرون برای جسم ۳۰۰۰K چقدر است؟

(۱)  $\frac{1}{3}$ (۲)  $\frac{1}{243}$ 

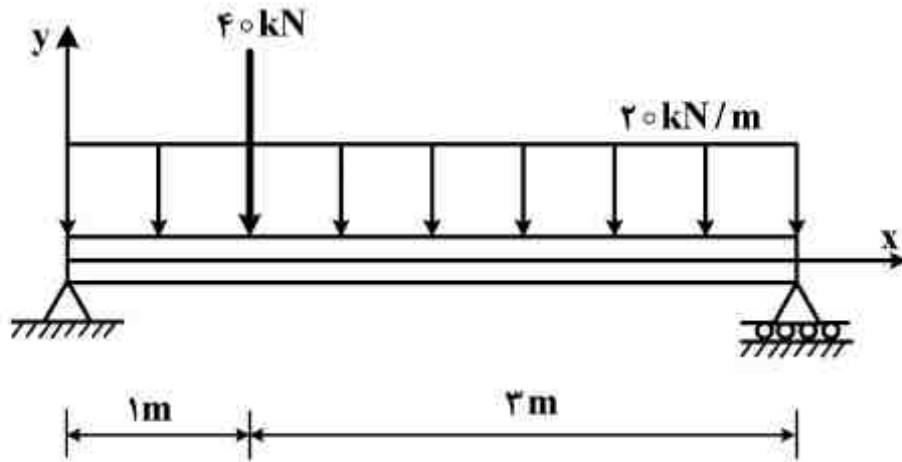
(۳) ۲۴۳

(۴) ۳



جامدات (استاتیک، مقاومت مصالح، طراحی اجزاء):

۷۱- حداکثر لنگر خمشی در تیر زیر چند  $kN.m$  بوده و در فاصله چند متری از انتهای سمت چپ تیر بوجود می آید؟



(۱)  $1/5, 0.62/5$

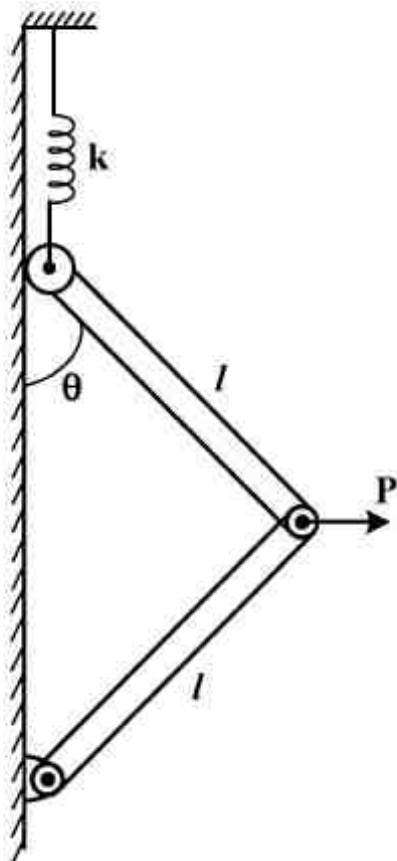
(۲)  $1/75, 0.67/5$

(۳)  $2, 0.70$

(۴)  $1, 0.95$

۷۲- فنر زیر برای  $\theta = 0$  در حالت طول آزاد خود قرار دارد. نیروی  $P$  برای آنکه سیستم در زاویه کلی  $\theta$  در حالت

تعادل باشد، کدام است؟ (از جرم لینک‌ها صرف‌نظر شود).



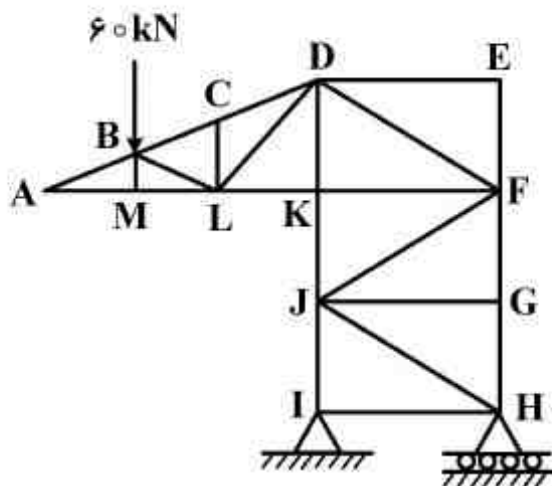
(۱)  $k \ell (\tan \theta - \sin \theta)$

(۲)  $4k \ell (\tan \theta - \sin \theta)$

(۳)  $k \ell (1 - \cos \theta) \sin \theta$

(۴)  $4k \ell (1 - \cos \theta) \sin \theta$

۷۳- در خرابای روبه‌رو چند عضو صفر نیرویی وجود دارد؟



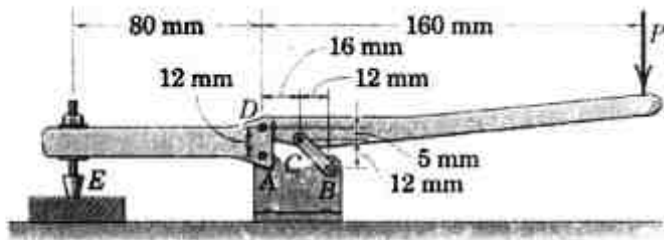
(۱) ۶

(۲) ۷

(۳) ۸

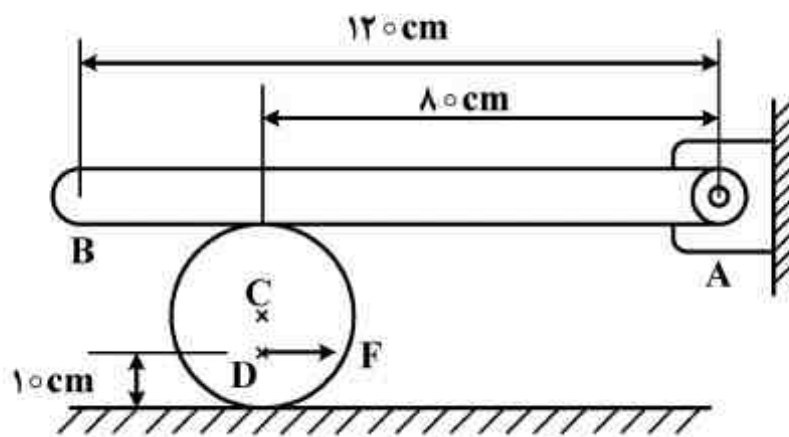
(۴) ۹

۷۴- نیروی عمودی در نقطه E، چند برابر نیروی P می باشد؟



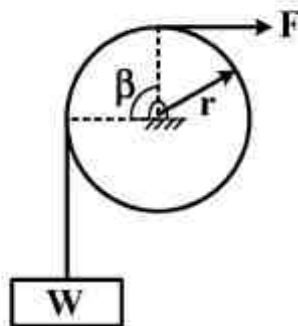
- (۱) ۲/۱۸
- (۲) ۱/۷۳
- (۳) ۱/۵
- (۴) ۵/۸

۷۵- میله یکنواخت AB به وزن ۲۰۰N در نقطه A لولا شده و روی استوانه‌ای به قطر ۴۰ cm و به وزن ۵۰۰N قرار دارد و ضریب اصطکاک در تمام سطوح تماس ۰/۳ می باشد. حداکثر نیروی F برای تعادل چند نیوتن است؟



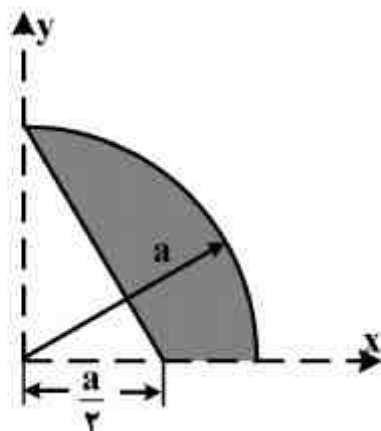
- (۱) ۱۲۰
- (۲) ۱۸۰
- (۳) ۲۴۰
- (۴) ۳۰۰

۷۶- در شکل زیر نیروی F برای بالا کشیدن وزنه W وارد می شود. مقاومت چرخ در مقابل گردش کوپل m و ضریب اصطکاک بین طناب و چرخ  $\mu$  فرض می شود. اختلاف کشش طناب در دو طرف چرخ در آستانه لغزش نسبی  $T_1 = T_2 e^{\mu\beta}$  است. برای اینکه لغزش طناب روی چرخ و حرکت گردشی چرخ همزمان صورت گیرند، m چند برابر Fr باید باشد؟



- (۱) ۱
- (۲)  $1 - e^{\mu\pi/2}$
- (۳)  $e^{\mu\pi/2} - 1$
- (۴)  $\frac{e^{\mu\pi/2} - 1}{e^{\mu\pi/2}}$

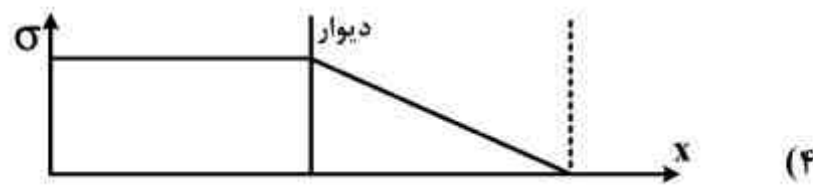
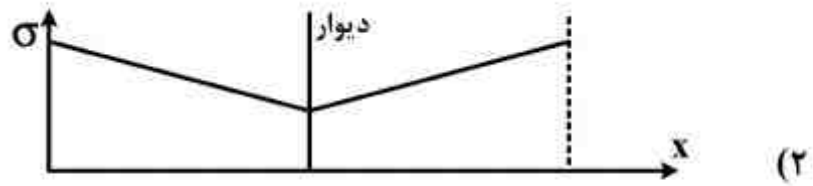
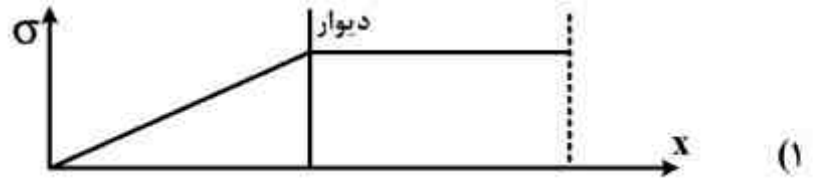
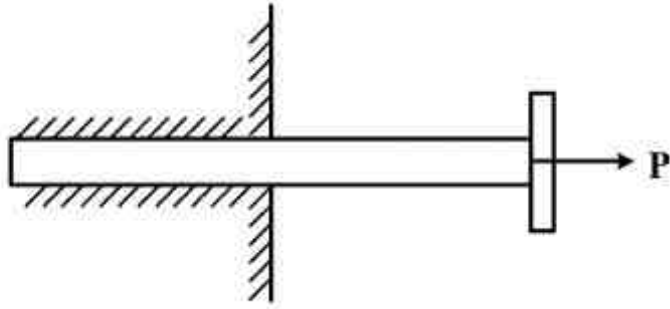
۷۷- فاصله عمودی مرکز سطح  $(\bar{Y})$ ، در سطح زیر کدام است؟



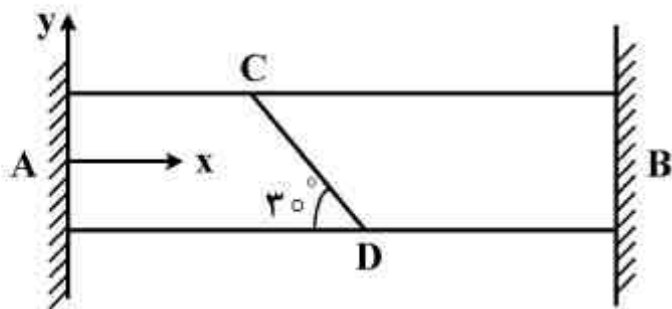
- (۱)  $\frac{a}{\pi - 1}$
- (۲)  $\frac{a}{6(\pi - 1)}$
- (۳)  $\frac{6a}{7(\pi - 1)}$
- (۴)  $\frac{7a}{6(\pi - 1)}$



۷۸- میخی در داخل دیوار کوبیده شده و با نیروی  $P$  به بیرون کشیده می‌شود. نمودار تغییرات تنش در طول میخ کدام است؟



۷۹- میله زیر، بین دو دیوار صلب قرار گرفته است. افزایش دمای میله به‌طور یکنواخت، چقدر باید باشد تا تنش فشاری ۱۵ مگاپاسکال بر روی صفحه‌ی مایل  $CD$  ایجاد گردد؟ (ضریب انبساط حرارتی برابر  $\alpha$  و ضریب ارتجاعی  $E$  بر حسب مگاپاسکال فرض شوند.)



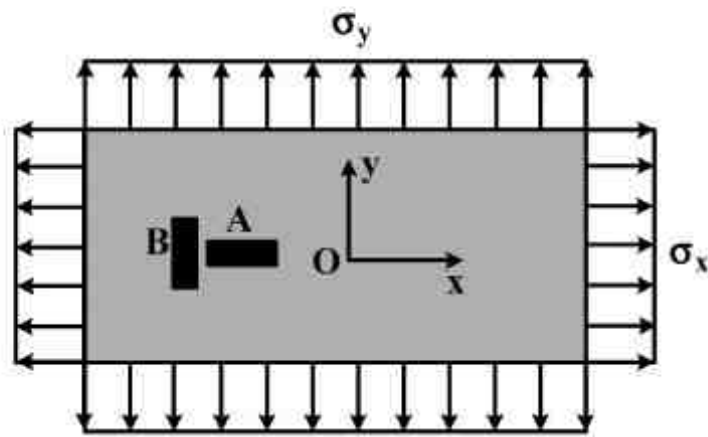
(۱)  $\frac{15}{E\alpha}$

(۲)  $\frac{20}{E\alpha}$

(۳)  $\frac{30}{E\alpha}$

(۴)  $\frac{60}{E\alpha}$

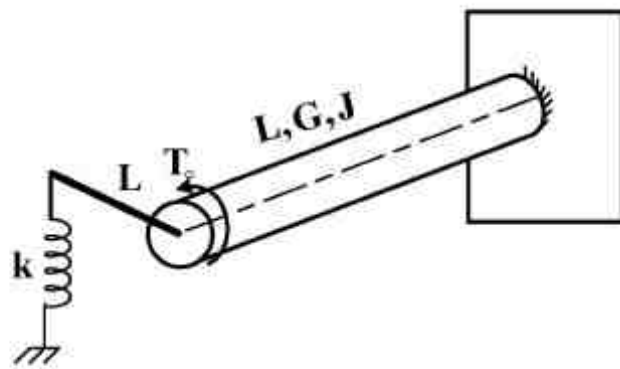
۸۰- ورق فولادی مستطیلی زیر به ضخامت  $t$  در معرض تنش‌های قائم یکنواخت  $\sigma_x$  و  $\sigma_y$  قرار دارد. کرنش‌سنج‌های A و B کرنش‌های  $\epsilon_x$  و  $\epsilon_y$  را نشان می‌دهند. نسبت تغییر ضخامت ورق به  $\epsilon_x + \epsilon_y$  چقدر



است؟ (نسبت پواسان  $\nu$  فرض شود).

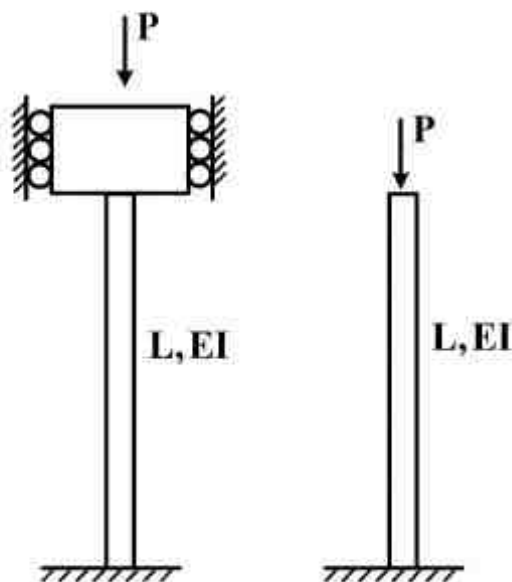
- (۱)  $-\frac{\nu}{\nu+1} \cdot t$
- (۲)  $\frac{\nu}{\nu-1} \cdot t$
- (۳)  $-\frac{\nu^2 + \nu}{\nu^2 + 1} \cdot t$
- (۴)  $-\frac{\nu^2 + \nu}{(1-\nu)^2} \cdot t$

۸۱- میل‌گردان زیر با مقطع دایره توسط یک میله صلب به طول  $L$  به فنری با سختی  $k$  متصل شده است. میل‌گردان تحت گشتاور پیچشی  $T_0$  در انتها قرار می‌گیرد. زاویه چرخش انتهای آن چقدر است؟ (مدول برش  $G$  و ممان اینرسی قطبی مقطع  $J$  است).



- (۱)  $\frac{T_0 L}{GJ}$
- (۲)  $\frac{2T_0 L}{GJ + kL^3}$
- (۳)  $\frac{T_0 L}{GJ + kL^3}$
- (۴)  $\frac{2T_0 L}{2GJ + 3kL^3}$

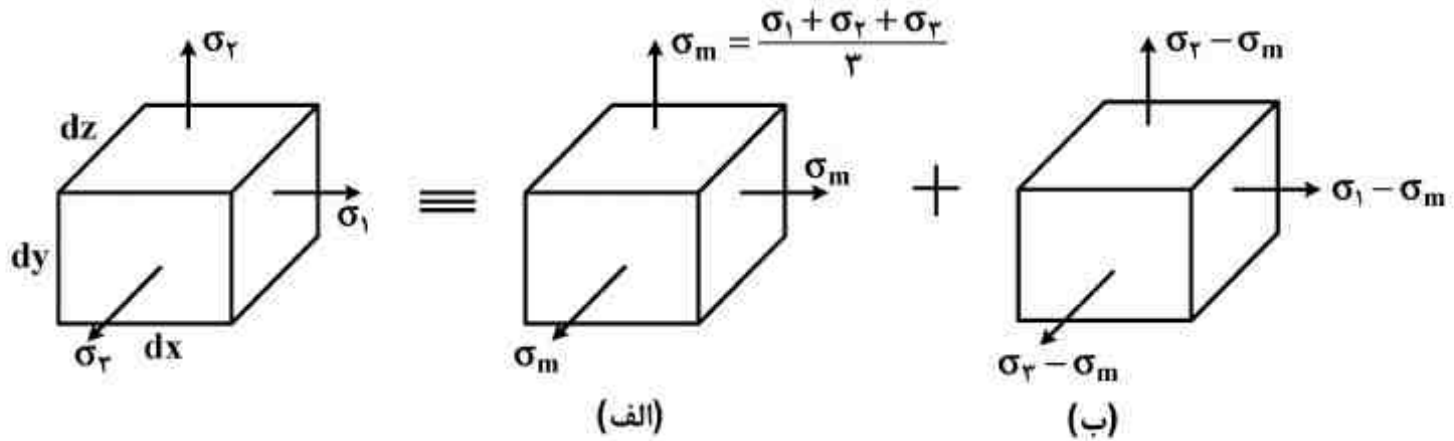
۸۲- دو ستون با طول و سفتی خمشی برابر، یکی دو سر گیردار و دیگری یک سر گیردار - یک سر آزاد است. دو ستون تحت بار محوری فشاری یکسان قرار دارند. نسبت بار بحرانی ستون دوسرگیردار چند برابر بار بحرانی ستون یک سر گیردار - یک سر آزاد می‌باشد؟



- (۱)  $\frac{1}{4}$
- (۲) ۱
- (۳) ۴
- (۴) ۱۶



۸۳- در برخی مسائل مربوط به معیارهای تسلیم و پلاستیسیته، یک المان تحت تنش به دو المان مطابق شکل زیر تجزیه می‌شود. در حالت (ب) تغییر حجم المان چقدر است؟



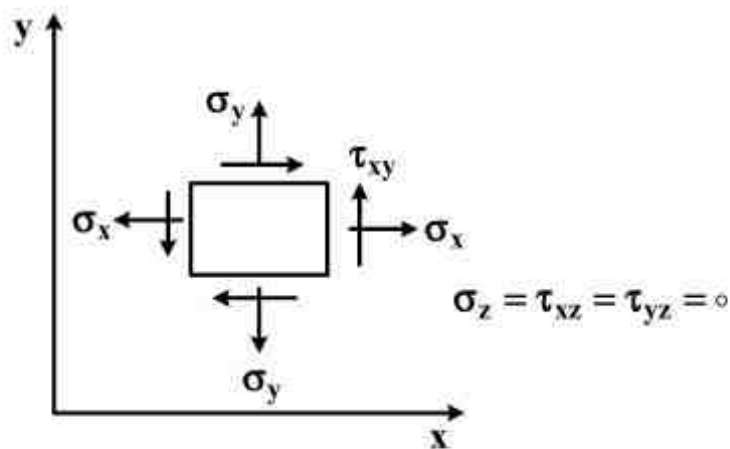
(۱)

(۲)  $\epsilon_x (dx dy dz)$

(۳)  $\epsilon_z (dx dy dz)$

(۴)  $\epsilon_y (dx dy dz)$

۸۴- یک ورق نازک به ضخامت  $t$  تحت تنش صفحه‌ای قرار دارد. المان تنش در شکل داده شده است. تغییر ضخامت ورق چقدر است؟



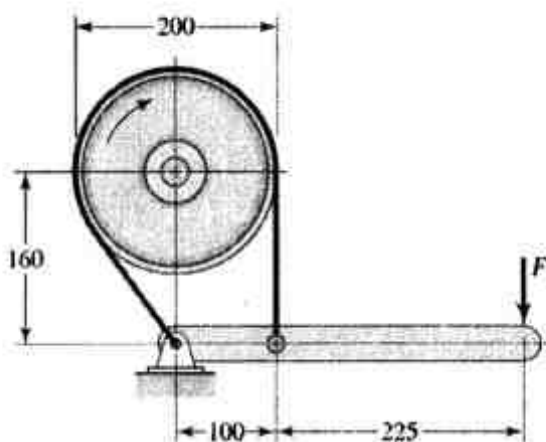
(۱)

(۲)  $\frac{\sigma_x + \sigma_y}{E} t$

(۳)  $-\frac{\nu(\sigma_x + \sigma_y)}{E} t$

(۴)  $\frac{\nu(\sigma_x + \sigma_y)}{E} t$

۸۵- در ترمز زیر ضریب اصطکاک  $0.3$ ، عرض تسمه  $50$  میلی‌متر و حداکثر کشش تسمه  $3$  کیلونیوتن می‌باشد. به منظور ایجاد گشتاور اصطکاکی  $200$  نیوتن‌متر، میزان نیروی ترمزی  $F$  بر حسب نیوتن به کدام عدد نزدیکتر است؟ (ابعاد شکل به میلی‌متر است.)



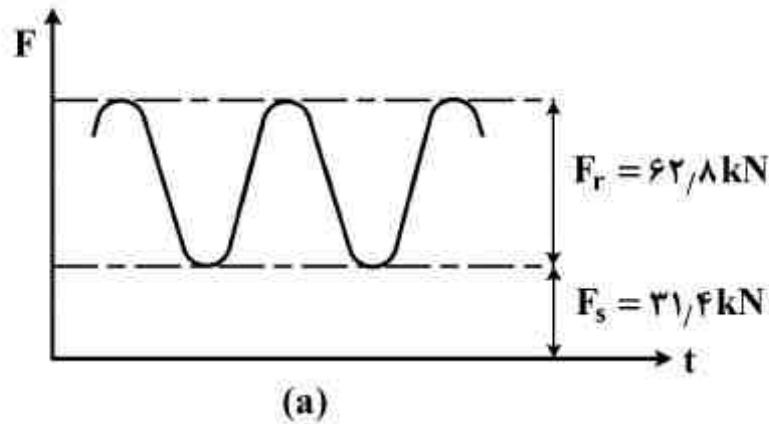
(۱) ۱۲۴

(۲) ۲۸۶

(۳) ۴۴۱

(۴) ۶۵۰

۸۶- میله‌ای فولادی به قطر  $20\text{ mm}$ ، استحکام تسلیم  $500\text{ MPa}$ ، استحکام کششی  $600\text{ MPa}$  و حد دوام  $200\text{ MPa}$  موجود است. مطابق شکل (a) میله تحت پیش‌بار کششی  $31/4\text{ kN}$  و بار کششی نوسانی متغیر بین صفر تا  $62/8\text{ kN}$  قرار می‌گیرد. ضریب ایمنی میله در صورتی که نمودار خستگی ماده طبق شکل (b) باشد، چقدر است؟ ( $\pi$  برابر  $3/14$  فرض شود).

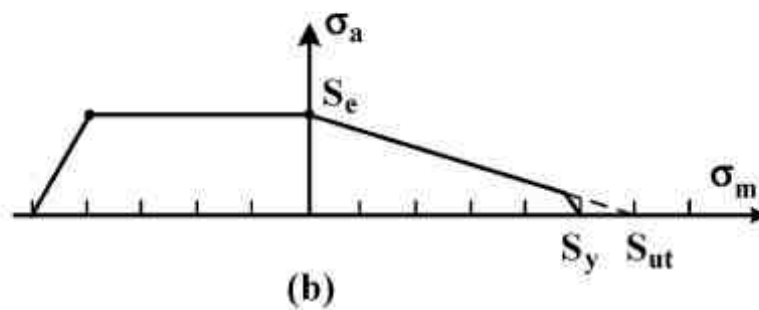


(۱) ۰/۷۵

(۲) ۱/۰

(۳) ۱/۲

(۴) ۱/۶۷



۸۷- در یک جفت چرخ دنده ساده Full-depth با مراکز خارج از هم به فاصله  $200\text{ mm}$ ، زاویه فشار  $20^\circ$ ، و نسبت تبدیل ۴:۱ است. کوچکترین کران بالای مقدار مدول (m) از دیدگاه طراحی چند میلی‌متر

$$\left(\frac{1}{\sin^2(20)} = 8/549\right) \text{ است؟}$$

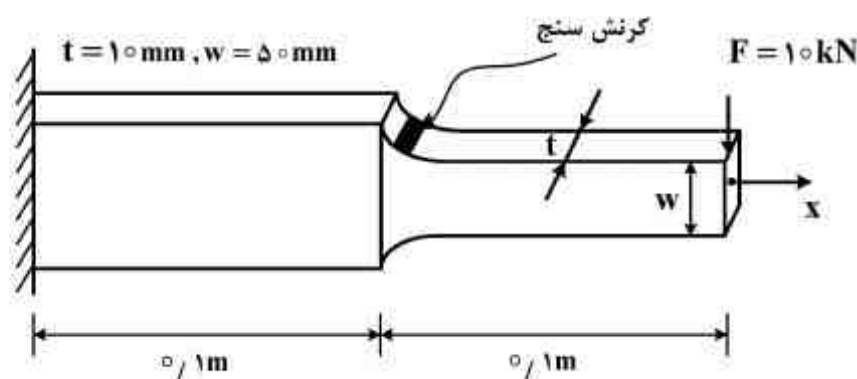
$$\frac{40}{7} \text{ (۴)}$$

$$\frac{40}{9} \text{ (۳)}$$

$$\frac{20}{7} \text{ (۲)}$$

$$\frac{20}{9} \text{ (۱)}$$

۸۸- ضریب تمرکز تنش  $K_t$  در محل نصب کرنش‌سنج چقدر است؟ ( $E = 200\text{ GPa}$ ) و مقدار کرنش ثبت شده در محل نصب کرنش‌سنج  $(\epsilon_x = 0/003)$



(۱) ۱/۲۵

(۲) ۲/۵

(۳) ۳/۷۵

(۴) ۵

۸۹- ورقی با عرض، طول و ضخامت به ترتیب ۱۰۰، ۲۰۰، ۱۲ میلی‌متر که دارای ترکی مرکزی با طول ۱۵ میلی‌متر است، می‌تواند نیرویی معادل ۵۰ kN را تحمل کند. در صورتی که ترک رشد کند و طول آن دو برابر شود، مقدار نیرویی که این ورق می‌تواند تحمل کند چند kN است؟ (ضریب تصحیح شدت تنش را برابر یک در نظر بگیرید.)

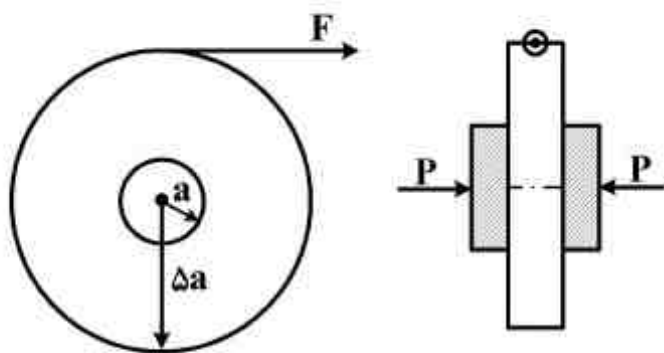
(۱) ۶۵/۴

(۲) ۵۵/۴

(۳) ۳۵/۴

(۴) ۱۵/۴

۹۰- قرقره سیم شکل زیر، از دو طرف توسط یک ترمز دیسکی نو با شعاع  $a$ ، نیروی محوری  $P$  و ضریب اصطکاک  $\mu$  نگه داشته شده است. مقدار نیروی  $F$  برای باز کردن سیم چند برابر  $P$  می‌باشد؟

(۱)  $\mu/4$ (۲)  $\mu/2$ (۳)  $\mu/0.4$ (۴)  $\mu/0.8$ 

دینامیک و ارتعاشات (دینامیک، ارتعاشات، دینامیک ماشین، کنترل):

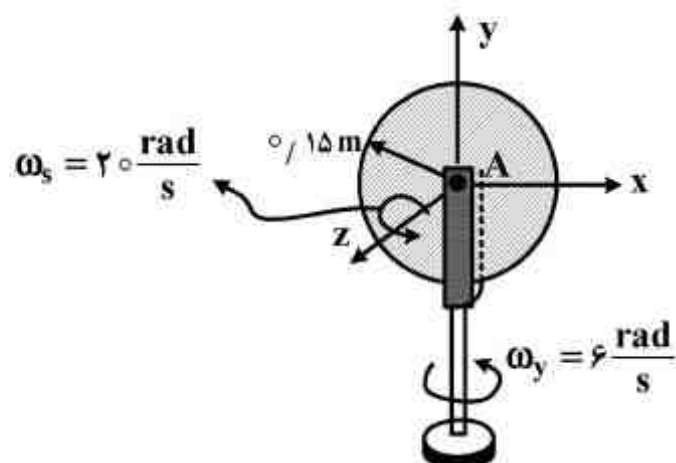
۹۱- دیسک ۲۰ کیلوگرمی شکل زیر با سرعت  $\omega_s = 20 \frac{\text{rad}}{\text{s}}$  حول محور مرکزی  $z$  خود می‌چرخد در حالی که محور پشتیبان آن با سرعت  $\omega_y = 6 \frac{\text{rad}}{\text{s}}$  دوران می‌کند. گشتاور ژيروسکوپی حاصل از نیروهای عکس‌العملی که از سوی پین  $A$  به دلیل این حرکت به دیسک وارد می‌شود، چند  $\text{N}\cdot\text{m}$  می‌باشد؟

(۱) ۱۳/۵

(۲) ۲۷

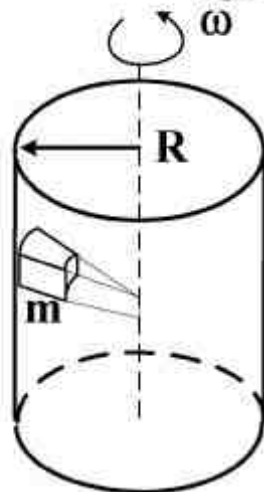
(۳) ۵۴/۵

(۴) ۶۰



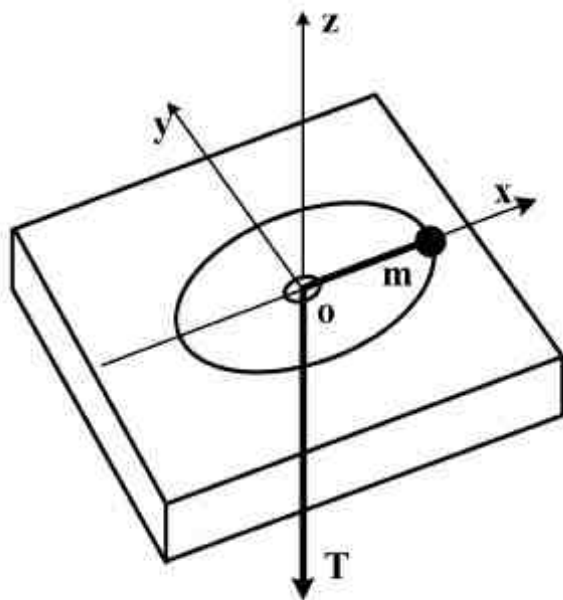


۹۲- حداقل سرعت زاویه‌ای یک استوانه به شعاع  $R$  چقدر باشد تا بلوک نشان داده شده داخل آن که جرم  $m$  دارد به سمت پایین نلغزد؟ ضریب اصطکاک بین بلوک و سطح داخلی استوانه  $\mu$  فرض شود.



- (۱)  $\sqrt{\frac{g}{2\mu R}}$
- (۲)  $\sqrt{\frac{mR}{\mu}}$
- (۳)  $\sqrt{\frac{g}{\mu R}}$
- (۴)  $\sqrt{\frac{2g}{\mu R}}$

۹۳- ذره‌ای به جرم  $m$  در حالی که توسط طناب بدون جرمی مهار شده است، در صفحه افقی حرکت می‌کند. اگر از اصطکاک چشم‌پوشی شود، مقدار  $\frac{d\omega}{dr}$  چقدر است؟ ( $\omega$  سرعت دوران ذره حول محور  $Z$  و  $r$  فاصله آن تا



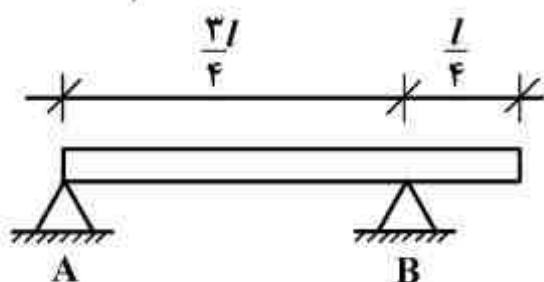
سوراخ می‌باشد.)

- (۱)  $\frac{-2\omega}{r}$
- (۲)  $\frac{-\omega}{r}$
- (۳)  $\frac{\omega}{r}$
- (۴)  $\frac{\Delta\omega}{r}$

۹۴- نقطه‌ای مادی با سرعت ثابت  $v$  در امتداد منحنی فضائی  $x = \cos \theta$ ,  $y = \sin \theta$ ,  $z = \theta$  حرکت می‌کند. مقدار شتاب نقطه مادی چقدر است؟

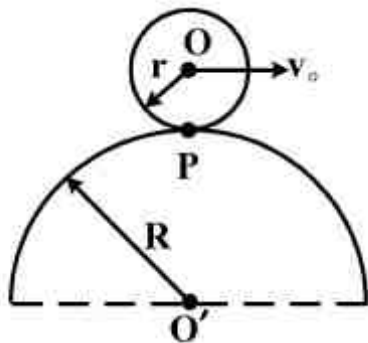
- (۱) صفر
- (۲)  $\frac{v^2}{2}$
- (۳)  $v^2 \cos \theta$
- (۴)  $v^2$

۹۵- میله یکنواخت زیر با وزن  $W$  در  $A$  لولا و در  $B$  روی تکیه‌گاه غلتکی قرار دارد. اگر ناگهان تکیه‌گاه  $B$  برداشته شود، نیروی لحظه‌ای وارد بر تکیه‌گاه  $A$  در راستای قائم چند برابر  $W$  خواهد بود؟ ( $I_A = \frac{1}{3} m l^2$ )



- (۱)  $\frac{1}{4}$
- (۲)  $\frac{1}{3}$
- (۳)  $\frac{2}{3}$
- (۴)  $\frac{3}{4}$

۹۶- استوانه‌ای به شعاع  $r$  روی سطح ثابتی به شعاع  $R$  غلت بدون لغزش می‌کند. اگر سرعت مرکز استوانه برابر  $v_o$  باشد، اندازه شتاب نقطه تماس  $P$  کدام است؟



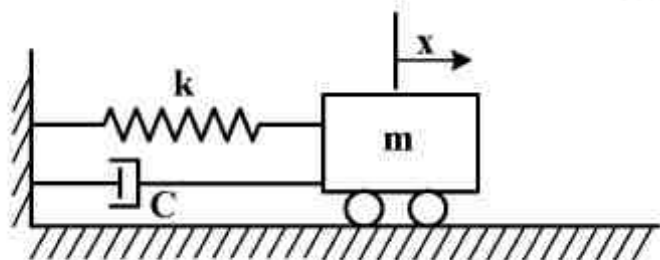
(۱)  $\frac{v_o^2}{r^2} - r\dot{\omega}$

(۲)  $\frac{v_o^2}{R+r} + r\dot{\omega}$

(۳)  $\frac{v_o^2 R}{r(R+r)}$

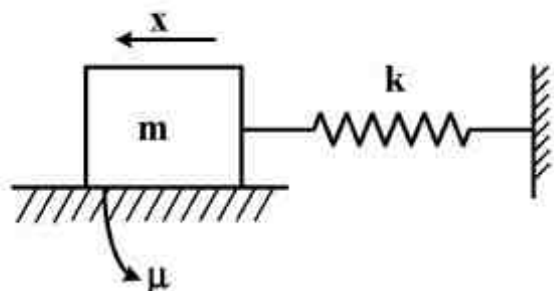
(۴)  $\frac{v_o^2 (2r+R)}{r(R+r)}$

۹۷- دامنه نوسان در سیستم ارتعاشی زیر با مستهلک‌کننده ویسکوزی در دوره تناوب اول و دوم به ترتیب برابر  $2cm$  و  $1/5cm$  می‌باشد. دامنه نوسان در دوره تناوب سوم چند  $cm$  است؟



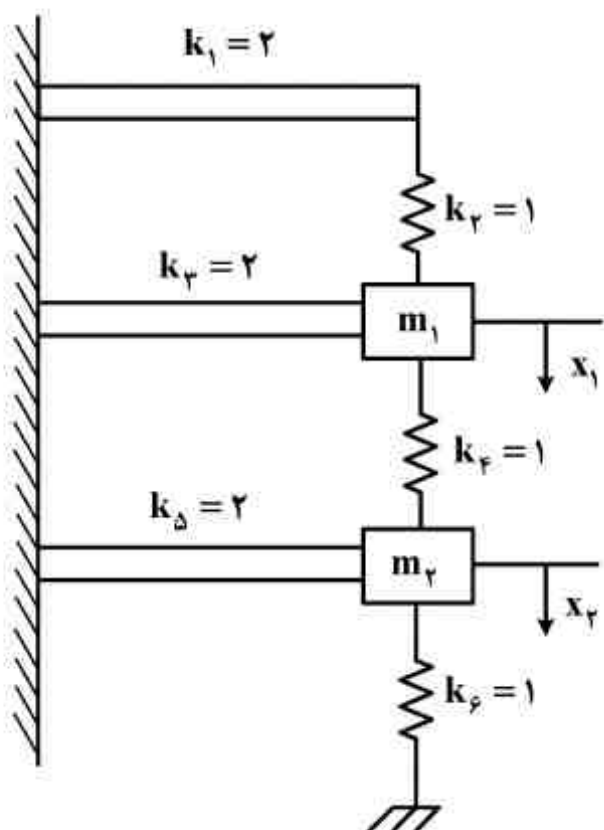
- (۱) ۰/۸
- (۲) ۱/۲۵۰
- (۳) ۱
- (۴) ۱/۱۲۵

۹۸- با وجود اصطکاک خشک، دامنه ارتعاش آزاد سیستم ارتعاشی زیر چگونه تغییر می‌کند؟



- (۱) به صورت خطی کم می‌شود و به سمت صفر میل می‌کند.
- (۲) به صورت نمایی کم می‌شود و به سمت صفر میل می‌کند.
- (۳) به صورت خطی کم می‌شود ولی به سمت صفر نمی‌کند.
- (۴) به صورت نمایی کم می‌شود ولی به سمت صفر نمی‌کند.

۹۹- معادلات دیفرانسیل حرکت سیستم زیر کدام است؟ ( $m_1 = 1kg$ ,  $m_2 = 2kg$  و سختی فنرها در شکل بر حسب  $\frac{N}{m}$  داده شده است).



بر حسب  $\frac{N}{m}$  داده شده است.

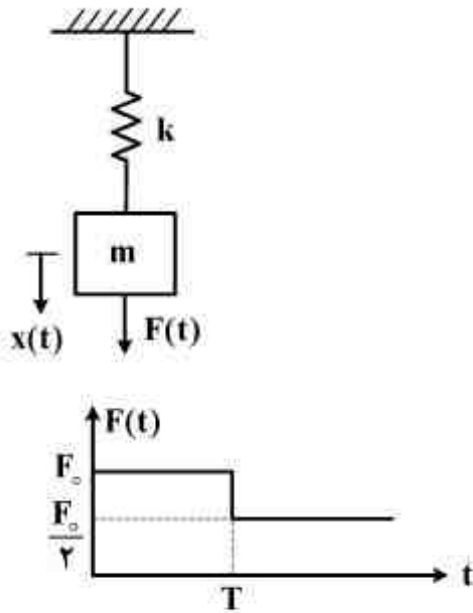
(۱) 
$$\begin{cases} \ddot{x}_1 + \frac{5}{3}x_1 + x_2 = 0 \\ \ddot{x}_2 + x_2 + \frac{1}{2}x_1 = 0 \end{cases}$$

(۲) 
$$\begin{cases} \ddot{x}_1 + \frac{11}{5}x_1 - x_2 = 0 \\ 2\ddot{x}_2 + \frac{5}{3}x_2 - x_1 = 0 \end{cases}$$

(۳) 
$$\begin{cases} \ddot{x}_1 + 6x_1 - x_2 = 0 \\ 2\ddot{x}_2 + 4x_2 - x_1 = 0 \end{cases}$$

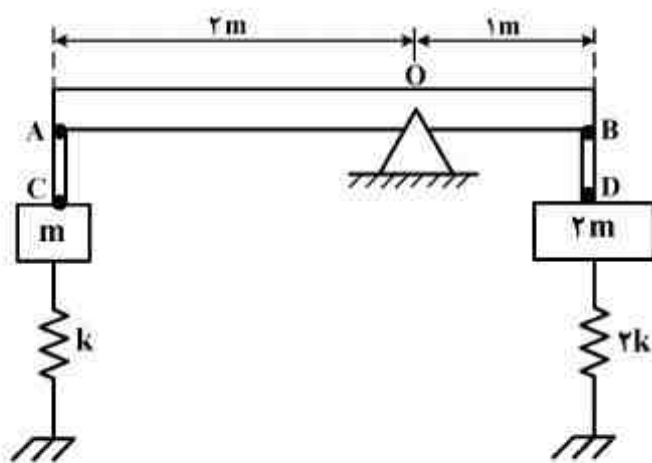
(۴) 
$$\begin{cases} \ddot{x}_1 + \frac{11}{3}x_1 - x_2 = 0 \\ \ddot{x}_2 + 2x_2 - \frac{1}{2}x_1 = 0 \end{cases}$$

۱۰۰- نیرویی مطابق شکل زیر به یک سیستم جرم - فنر وارد می‌شود. پاسخ سیستم،  $x(t)$  برای  $t > T$ ، کدام است؟



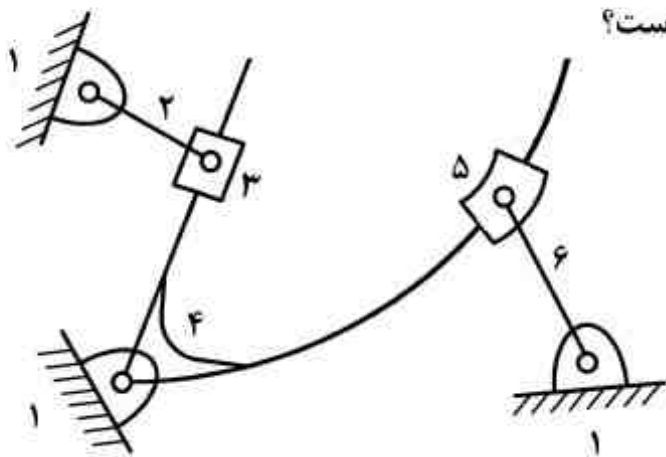
- (۱)  $\frac{F_0}{2k} [1 + \cos \omega_n(t-T)]$
- (۲)  $\frac{F_0}{k} + \frac{F_0}{2k} \cos \omega_n(t-T)$
- (۳)  $\frac{F_0}{k} + \frac{F_0}{2k} [1 + \cos \omega_n(t-T)]$
- (۴)  $\frac{F_0}{2k} - \frac{F_0}{k} \cos \omega_n t + \frac{F_0}{2k} \cos \omega_n(t-T)$

۱۰۱- میله صلب، یکنواخت و بسیار باریک AB با جرم m در نقطه O در شکل زیر مفصل شده است. با صرف نظر از جرم میله‌های صلب AC و BD، فرکانس طبیعی این سیستم برابر با کدام است؟



- (۱)  $\frac{1}{3} \sqrt{\frac{6k}{m}}$
- (۲)  $\sqrt{\frac{6k}{7m}}$
- (۳)  $\sqrt{\frac{8k}{9m}}$
- (۴)  $3 \sqrt{\frac{k}{7m}}$

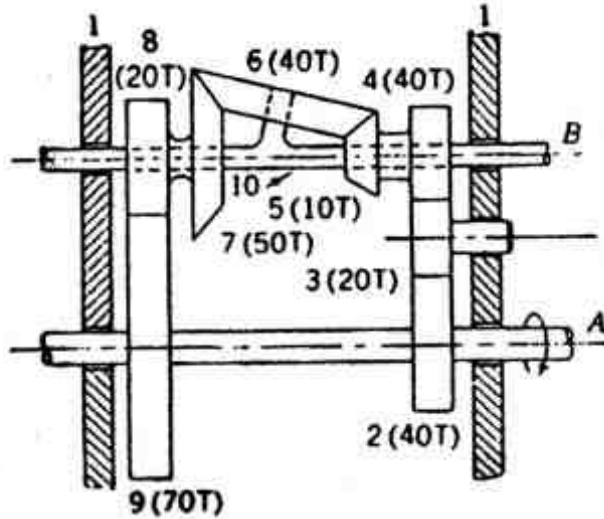
۱۰۲- در اهرم‌بندی شش میله‌ای شکل زیر جسم ۴ دارای سرعت زاویه‌ای ثابت  $\omega_4$  می‌باشد. درباره شتاب لغزنده‌های ۳ و ۵ نسبت به جسم ۴ گزینه صحیح کدام است؟



- (۱) شتاب کریولیس هر دو غیر صفر می‌باشند.
- (۲) همواره شتاب نرمال هر دو غیر صفر می‌باشند.
- (۳) همواره تمامی مؤلفه‌های شتاب (مماسی، نرمال و کریولیس) هر دو غیر صفر می‌باشند.
- (۴) تمامی مؤلفه‌های شتاب (مماسی، نرمال و کریولیس) هر دو مستقل از  $\omega_4$  می‌باشند.



۱۰۳- در سیستم زیر محور A با سرعت ۱۰۰۰ rpm در جهت مثبت (جهت نشان داده شده) می چرخد. سرعت دوران محور B چند rpm می باشد؟



(۱)  $-3083.3$

(۲)  $-2750$

(۳)  $2750$

(۴)  $3083.3$

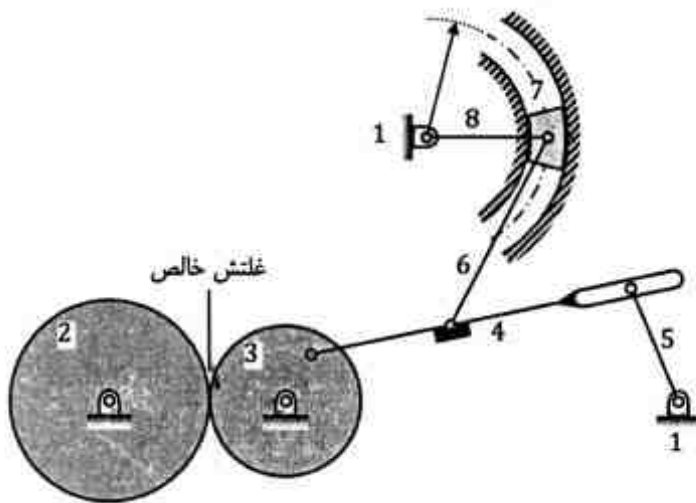
۱۰۴- درجه آزادی مکانیزم زیر چند است؟ (لولای اتصال عضو ۸ با زمین، مرکز انحنای مسیر لغزنده ی ۷ است.)

(۱) صفر

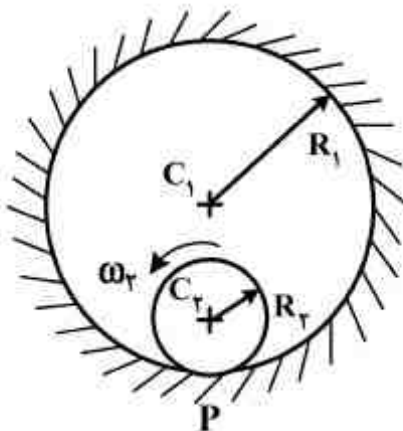
(۲) ۱

(۳) ۲

(۴) ۳



۱۰۵- لینک استوانه‌ای شکل ۲ در داخل لینک ثابت و استوانه‌ای شکل ۱ در حال دوران است. اگر در نقطه تماس P غلش فرض شود کدام گزینه صحیح می باشد؟ ( $\omega_p$  ثابت فرض می شود.)



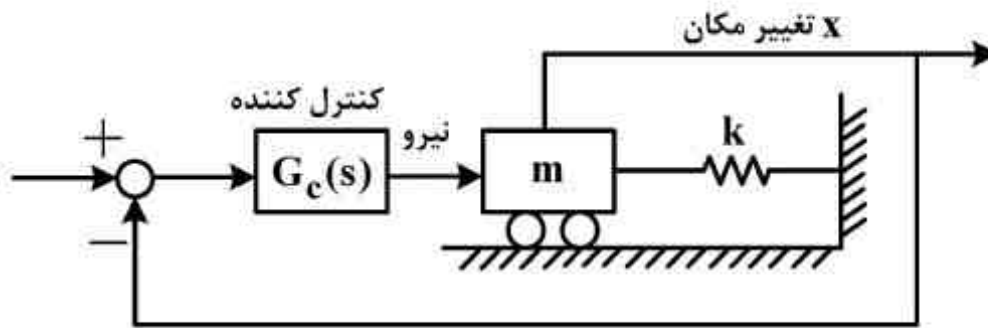
(۱) اگر فقط شعاع  $R_2$  افزایش یابد شتاب نقطه  $P$  افزایش می یابد.

(۲) اگر فقط شعاع  $R_1$  افزایش یابد شتاب نقطه  $P$  افزایش می یابد.

(۳) اگر فقط شعاع  $R_2$  افزایش یابد شتاب نقطه  $P$  کاهش می یابد.

(۴) شتاب نقطه  $P$  فقط بستگی به نسبت  $\frac{R_2}{R_1}$  دارد.

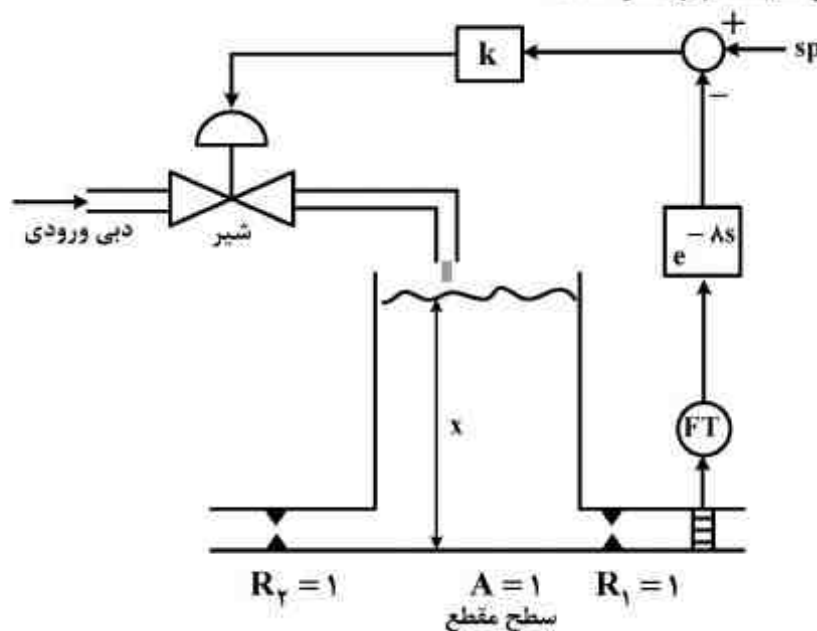
۱۰۶- سیستم اصلی زیر شامل یک فنر و وزنه، ورودی نیروی وارد بر جرم و خروجی تغییر مکان جرم است. با فرض  $m=1$  و  $k=1$  نوع و پارامترهای کنترل کننده  $G_c(s)$  چه باشند که سیستم مدار بسته دو قطب در  $s=3$  داشته باشد؟



$G_c(s) = k_p(1 + T_d s), k_p = 1, T_d = \frac{3}{4}$  (۲)       $G_c(s) = k_p(1 + T_d s), k_p = 4, T_d = 1$  (۱)

$G_c(s) = k_p(1 + \frac{1}{T_i s}), k_p = 1, T_i = \frac{3}{4}$  (۴)       $G_c(s) = k_p(1 + \frac{1}{T_i s}), k_p = 4, T_i = 1$  (۳)

۱۰۷- سیستم زیر دارای تأخیر زمانی ۸ ثانیه‌ای در سیستم اندازه‌گیری می‌باشد. با صرف نظر از دینامیک شیر، حداکثر مقدار مجاز بهره  $k$  برای پایدار ماندن سیستم چقدر است؟



- (۱)  $k > 1/25$
- (۲)  $k > 2$
- (۳)  $k < 2/25$
- (۴)  $k < 3/25$

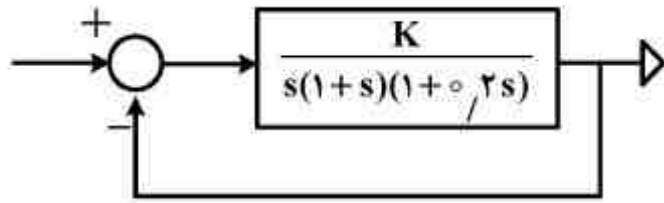
۱۰۸- در معادلات یک سیستم در فضای حالت  $\dot{x} = Ax + Bu, y = Cx + Du$ ، ماتریس‌های  $A, B, C, D$  به صورت زیر داده شده‌اند:

$$A = \begin{bmatrix} -1 & 0 \\ 1 & +2 \end{bmatrix}, B = \begin{bmatrix} 1 & 0 \\ 0 & 1 \end{bmatrix}, C = [0 \quad 1], D = 0$$

پاسخ سیستم به کدام یک از حالات اولیه زیر، معادل پاسخ سیستم به بردار ورودی ضربه واحد  $u_1 = u_2 = \delta(t)$  خواهد بود؟

- (۱)  $\begin{bmatrix} 1 \\ -1 \end{bmatrix}$
- (۲)  $\begin{bmatrix} 0 \\ 1 \end{bmatrix}$
- (۳)  $\begin{bmatrix} 1 \\ 0 \end{bmatrix}$
- (۴)  $\begin{bmatrix} 1 \\ 1 \end{bmatrix}$

۱۰۹- در سیستم زیر  $K$  چقدر باشد، تا حد فاز (Phase margin) مساوی  $30^\circ$  شود؟



(۱) ۱/۶۵

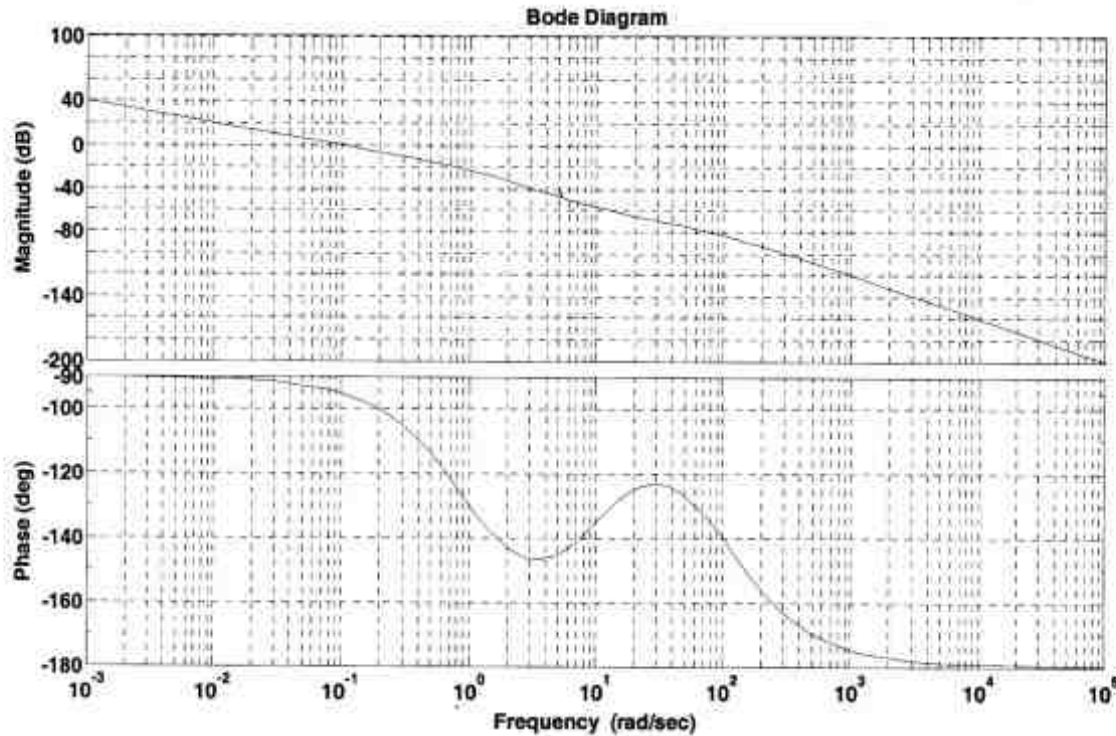
(۲) ۳/۹

(۳) ۶

(۴) ۱۴/۲

۱۱۰- با توجه به دیاگرام بُد (Bode Diagram) برای سیستم کنترل فیدبک زیر، نوع (type) سیستم کنترل

کدام است؟

(۱) دو ( $N = 2$ )(۲) صفر ( $N = 0$ )(۳) سه ( $N = 3$ )(۴) یک ( $N = 1$ )

ساخت و تولید (ماشین ابزار، قالب پرس، علم مواد، ماشین‌های کنترل عددی، اندازه‌گیری، تولید مخصوص، هیدرولیک و نیوماتیک، مدیریت تولید):

۱۱۱- کدام فرآیند سوراخکاری، نادرست بیان شده است؟

(۱) برق‌زنی برای اندازه‌کردن و ایجاد صافی سطح در یک سوراخ قبلاً ایجاد شده به وسیله یک ابزار چندلبه انجام می‌شود.

(۲) خزینه تراشی برای بزرگ کردن ابتدای یک سوراخ برای ایجاد نشیمنگاه سر پیچ انجام می‌شود.

(۳) داخل تراشی برای بزرگ کردن یک سوراخ به وسیله یک ابزار چند لبه انجام می‌شود.

(۴) قلاویز زنی برای ایجاد رزوه داخلی در یک سوراخ انجام می‌شود.

۱۱۲- در مورد فرآیند براده برداری، گزینه صحیح، کدام است؟

(۱) با افزایش زاویه لبه برنده اصلی، در عمق تراش ثابت، پهنای براده کاهش می‌یابد.

(۲) با افزایش شعاع نوک قلم، ناهمواری سطح ماشینکاری شده کاهش می‌یابد.

(۳) با کاهش ضخامت براده تغییر شکل نیافته، از سایش ابزار کاسته می‌شود.

(۴) با کاهش ضخامت براده تغییر شکل نیافته، انرژی ویژه تراش افزایش می‌یابد.

۱۱۳- برای ماشین‌کاری فولادها، کدام نوع ابزار «از نظر جنس» مناسب نیست؟

(۲) کاربیدی با محتوای کاربید تیتانیم

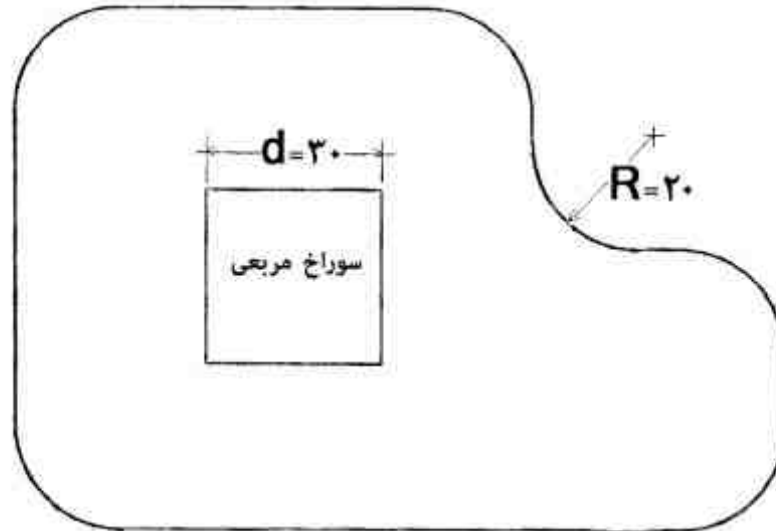
(۱) الماس

(۴) CBN

(۳) فولاد تندبر (HSS)



۱۱۴- بعضی از ابعاد اسمی قطعه زیر که حاوی یک سوراخ مربعی است برحسب میلی‌متر داده شده است. این قطعه توسط دو قالب برش (اولی سنبه و ماتریس سوراخ زنی و دومی سنبه و ماتریس دور بری) ساخته شده است. اگر ضخامت ورق ۱ میلی‌متر باشد، کدام عبارت صحیح‌تر می‌باشد؟



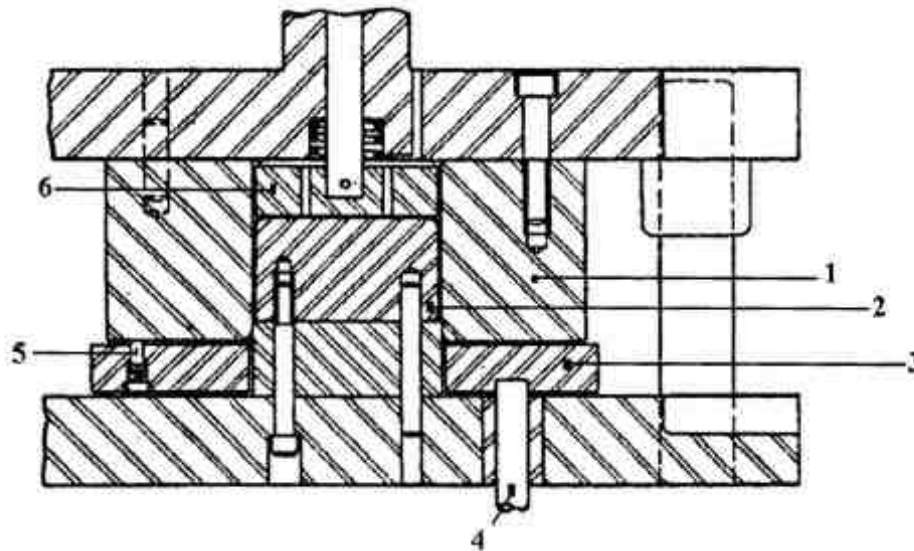
(۱) سنبه سوراخ زنی دارای مقطع مربعی به اضلاع ۳۰ و حفره مربعی ماتریس سوراخ زنی به اضلاع ۳۰٫۰۶ میلی‌متر است.

(۲) شعاع R در لبه سنبه دور بری ۲۰٫۰۳ میلی‌متر است.

(۳) شعاع R در لبه حفره ماتریس دور بری ۲۰٫۰۳ میلی‌متر است.

(۴) هیچ یک از گزینه‌های فوق صحیح نمی‌باشد.

۱۱۵- در مورد قالب کشش عمیق شکل زیر، کدام صحیح‌تر است؟



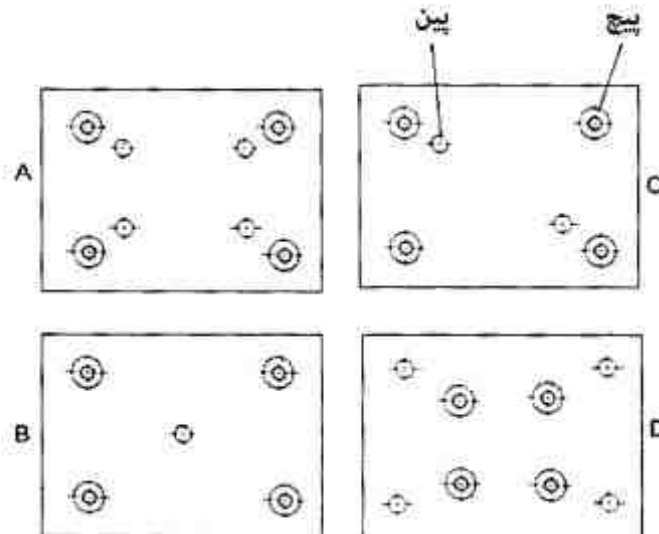
(۱) قطعه ۱ ماتریس از جنس فولاد ابزار و قطعه ۶ سنبه از جنس فولاد ابزار می‌باشد.

(۲) قطعه ۲ سنبه از جنس فولاد ابزار و قطعه ۶ بیرون اندازه می‌باشد.

(۳) قطعه ۳ ورق‌گیر از جنس فولاد معمولی (St37) و قطعه ۵ بیرون اندازه می‌باشد.

(۴) قطعه ۳ ورق‌گیر از جنس فولاد ابزار و قطعه ۴ بیرون اندازه می‌باشد.

۱۱۶- در چهار حالت پین گذاری و پیچ گذاری زیر کدام گزینه صحیح تر است؟



- (۱) گزینه A، زیرا حالت تقارن در پیچ‌ها و پین‌ها رعایت شده و پیچ‌ها به لبه‌ها نزدیک‌ترند.  
 (۲) گزینه B، زیرا پیچ‌ها در نزدیک‌ترین فاصله مجاز به لبه‌های آزاد قرار دارند و تنها یک پین کفایت می‌کند.  
 (۳) گزینه C، زیرا قرار دادن دو پین کفایت می‌کند و پیچ‌ها به لبه‌ها نزدیک‌ترند.  
 (۴) گزینه D، زیرا پین‌ها در نزدیک‌ترین فاصله مجاز به لبه‌های آزاد قرار دارند.
- ۱۱۷- در روش‌های سختی سنجی نوپ، ویکرز و برینل، اثر بار اعمالی بر روی نمونه مورد آزمایش به ترتیب چه شکلی دارند؟

- (۱) دایره، لوزی، مربع  
 (۲) دایره، مربع، لوزی  
 (۳) لوزی، مربع، دایره  
 (۴) مربع، لوزی، دایره
- ۱۱۸- آلیاژهای آلومینیوم گروه‌های ۷xxx، ۵xxx و ۴xxx به ترتیب شامل چه عناصری به همراه آلومینیوم می‌باشند؟

- (۱) روی، سیلیسیوم، منیزیم  
 (۲) روی، منیزیم، سیلیسیوم  
 (۳) منیزیم، مس، منگنز  
 (۴) منیزیم، منگنز، روی

۱۱۹- فاکتور تراکم اتمی آلومینیوم، کدام است؟

- (۱) ۰٫۵۲  
 (۲) ۰٫۶۸  
 (۳) ۰٫۷۴  
 (۴) ۰٫۸۲

۱۲۰- چگالی اتمی صفحه (۱۱۱) در ساختار بلوری FCC برحسب پارامتر شبکه (a)، کدام است؟

- (۱)  $\frac{3a^3}{4\sqrt{3}}$   
 (۲)  $\frac{4\sqrt{3}a^3}{3}$   
 (۳)  $\frac{4}{3\sqrt{3}a^3}$   
 (۴)  $\frac{4\sqrt{3}}{3a^3}$

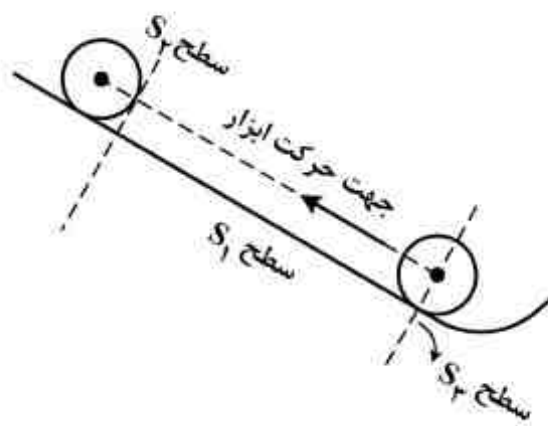
۱۲۱- جهت ساخت یک ماشین فرز CNC رومیزی آموزشی سه محوره با دقت ۰/۱ میلی‌متر، کدام ساختار سخت‌افزاری مناسب‌تر است؟

- (۱) موتورهای سرو با مدار کنترل بسته با استفاده از بال اسکرو و یاتاقان‌های خطی (LM)
- (۲) موتورهای سرو با مدار کنترل بسته با استفاده از پیچ‌های قدرتی معمولی و کشویی‌های لغزشی
- (۳) موتورهای DC دقیق با مدار کنترل بسته با استفاده از بال اسکرو و یاتاقان‌های خطی (LM)
- (۴) موتورهای پله‌ای با مدار کنترل بسته با استفاده از بال اسکرو و یاتاقان‌های خطی (LM)

۱۲۲- توابع G41 و G42 برای جبران شعاع ابزار به ترتیب در کدام سمت یک پروفیل به کار گرفته می‌شوند و برای لغو کردن جبران شعاع ابزار از کدام دستور استفاده می‌شود؟

- (۱) چپ و راست (در جهت حرکت) - G40
- (۲) راست و چپ (در جهت حرکت) - G40
- (۳) راست و چپ (در جهت حرکت) - G43
- (۴) چپ و راست (در خلاف جهت حرکت) - G43

۱۲۳- در زبان برنامه‌نویسی APT، کدام یک از دستورات زیر برای طی مسیر زیر توسط نوک ابزار صحیح است؟



- (۱) GOUP/S1, PAST,S2
- (۲) GOFWD/S1, PAST,S2
- (۳) GOFROM/S3, ON, S1, PAST,S2
- (۴) GOLFT/ FROM, S3, ON, S1, PAST,S2

۱۲۴- در فرآیند ماشینکاری الکتروشیمیایی، گزینه صحیح، کدام است؟

- (۱) افزایش دبی جریان الکترولیت و افزایش ولتاژ بین دو الکترود، سرعت باربرداری را افزایش می‌دهد.
- (۲) سرعت پیشروی ابزار متناسب با جرم اتمی قطعه کار است و رابطه معکوس با دانسیته آن دارد.
- (۳) سرعت پیشروی ابزار متناسب با شدت جریان است و رابطه معکوس با جرم اتمی قطعه کار دارد.
- (۴) هر قدر دانسیته جریان زیادتر شود سطح قطعه کار زبرتر شده و عیوب سطحی افزایش می‌یابد.

۱۲۵- در فرآیند ماشینکاری به روش تخلیه الکتریکی (EDM)، گزینه صحیح کدام است؟

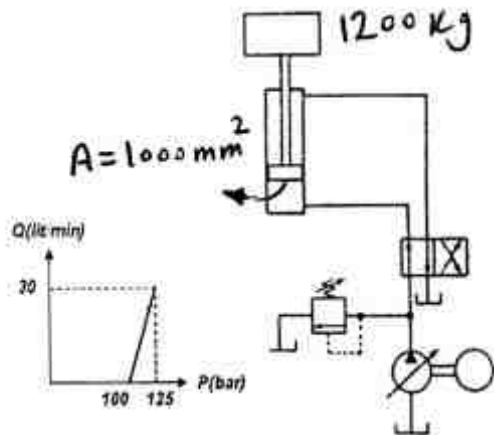
- (۱) با افزایش زمان روشنی پالس ( $T_p$ ) همواره سرعت براده برداری افزایش می‌یابد.
- (۲) با افزایش زمان خاموشی ( $T_o$ ) و روشنی پالس ( $T_p$ ) همواره سرعت براده برداری افزایش می‌یابد.
- (۳) با افزایش زمان روشنی پالس ( $T_p$ )، سرعت براده برداری تا یک پیک افزایش یافته و پس از آن کاهش می‌یابد.
- (۴) با کاهش زمان خاموشی ( $T_o$ ) و افزایش زمان روشنی پالس ( $T_p$ ) همواره سرعت براده برداری افزایش می‌یابد.

۱۲۶- در مورد USM، گزینه صحیح کدام است؟

- (۱) هرچه فلز تردتر باشد نرخ ماشینکاری کمتر است.
- (۲) هرچه ذرات ساینده درشت‌تر باشند نرخ ماشینکاری کمتر است.
- (۳) هرچه ابزار نرم‌تر باشد نرخ براده برداری کمتر است.
- (۴) هرچه فرکانس ارتعاشات ابزار کمتر باشد نرخ براده برداری کمتر است.



۱۲۷- در مدار زیر اگر مساحت قسمت تمام قطر پیستون  $A = 10000 \text{ mm}^2$ ، جرم بار  $1200 \text{ kg}$  و دبی پمپ  $30 \frac{\text{lit}}{\text{min}}$  و منحنی مشخصه شیر اطمینان مطابق نمودار باشد، توان تلف شده چند kW است؟



$$(g = 10 \frac{\text{m}}{\text{s}^2})$$

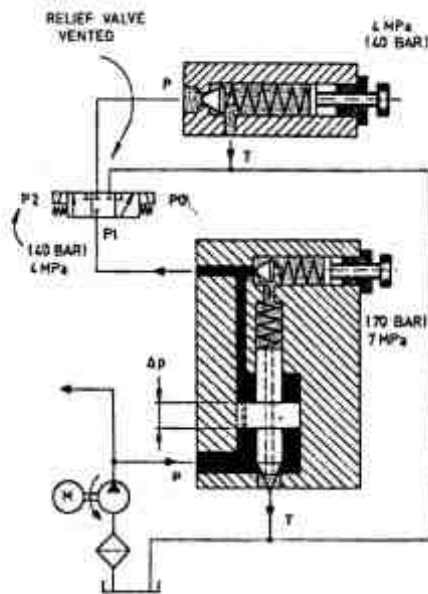
$$2,8 \quad (1)$$

$$3 \quad (2)$$

$$4 \quad (3)$$

$$4,8 \quad (4)$$

۱۲۸- در مدار زیر، در چه موقعی شیر فشار، ۴۰ بار (Bar) را کنترل می کند؟



(۱) وقتی که شیر کنترل جهت در موقعیت P2 باشد.

(۲) وقتی که شیر کنترل جهت در موقعیت P0 باشد.

(۳) هیچ وقت فشار ۴۰ بار کنترل نمی شود.

(۴) همیشه فشار ۴۰ بار کنترل می شود.

۱۲۹- در میان انواع پمپ‌های هیدرولیکی، پمپ‌های .....

(۱) پیستونی شعاعی، دبی‌های بالاتری را تأمین می کنند.

(۲) پیستونی محوری، بالاترین راندمان را دارند.

(۳) پره‌ای از همه ارزان‌تر هستند.

(۴) دنده‌ای بیشترین فشار را تولید می کنند.

۱۳۰- جهت برش یک ورق بزرگ فولادی با ضخامت ۱۲ میلی‌متر، از کدام فرآیند استفاده می شود؟

(۱) وایرکات

(۲) پرتو لیزر

(۳) ماشینکاری شیمیایی

(۴) تخلیه الکتریکی

## مبانی بیومکانیک ۱ و ۲:

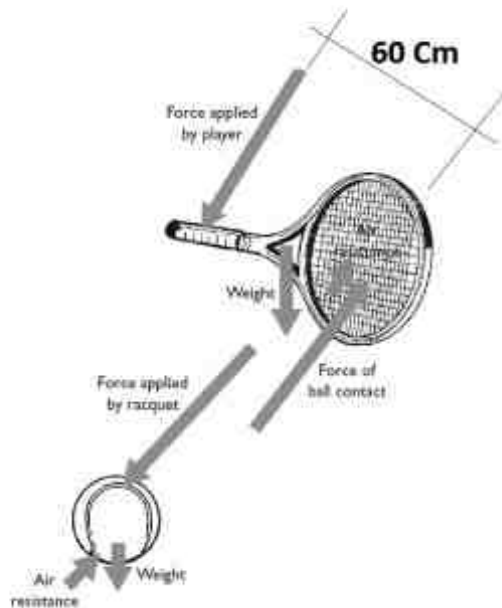
۱۳۱- حیوانات در یک سرعت داده شده، یک طول قدم و یک نرخ گام مخصوص را انتخاب می کنند. بهینه سازی کدام عامل توجیه مناسب تری برای این حقیقت است؟

- (۱) زیبایی هندسه حرکت  
(۲) مصرف انرژی متابولیک  
(۳) نیروی وارد بر مفاصل  
(۴) نیروی وارد بر عضلات

۱۳۲- مکان هندسی مرکز دوران مهره های پشتی ستون فقرات در حرکات اکستنشن و فلکشن کمر در صفحه ساجیتال در حالت طبیعی بر روی مهره زیرین خود قرار دارد. در اثر کدام عامل این مکان بر روی دیسک بین مهره های زیرین خود قرار می گیرد؟

- (۱) متخلخل بودن غضروف دیسک های بین مفصلی  
(۲) سفت شدن عضلات نگهدارنده ستون فقرات  
(۳) شل شدن عضلات نگهدارنده ستون فقرات  
(۴) بیرون زدگی دیسک بین مفصلی

۱۳۳- در ضربه تنیس اگر مدت تماس توپ و راکت دو صدم ثانیه، وزن توپ یک نیوتن و مقدار بردار سرعت توپ قبل و بعد از برخورد باهم برابر و مقدار آن سی متر بر ثانیه باشد، گشتاور تقریبی وارد بر مچ دست چند نیوتن متر است؟



- (۱) ۳۶۷  
(۲) ۱۸۳  
(۳) ۹۲  
(۴) ۴۶

۱۳۴- کدام گزینه عمده ترین هدف از وجود زائده هایی استخوان های مهره ها در ستون فقرات را بهتر توجیه می نماید؟

- (۱) اتصال عضلات و لیگامان ها  
(۲) حمایت از وزن قسمت های فوقانی بدن  
(۳) ایجاد یک تونل محافظ استخوانی برای طناب نخاعی  
(۴) ایجاد مسیر محافظ برای عبور عروق و اعصاب محیطی

۱۳۵- مهم ترین نقش دیسک بین مفصلی کدام است؟

- (۱) روانکاری و روغنکاری سطوح بین مهره ای  
(۲) حمایت از مسیر عبور طناب نخاعی  
(۳) افزایش قابلیت تحرک مفصلی  
(۴) کاهش تمرکز تنش بین دو مهره

۱۳۶- در شکل میکروسکوپی فیبرهای ماهیچه ای، کدام بخش شامل فیلامان های ضخیم و میوزین های ضخیم (Rough Myosin Filament) هستند؟

- (۱) نوارهای A  
(۲) نوارهای I  
(۳) نوارهای M  
(۴) سارکومرهایی که بین دو Z لاین تقسیم شده اند.

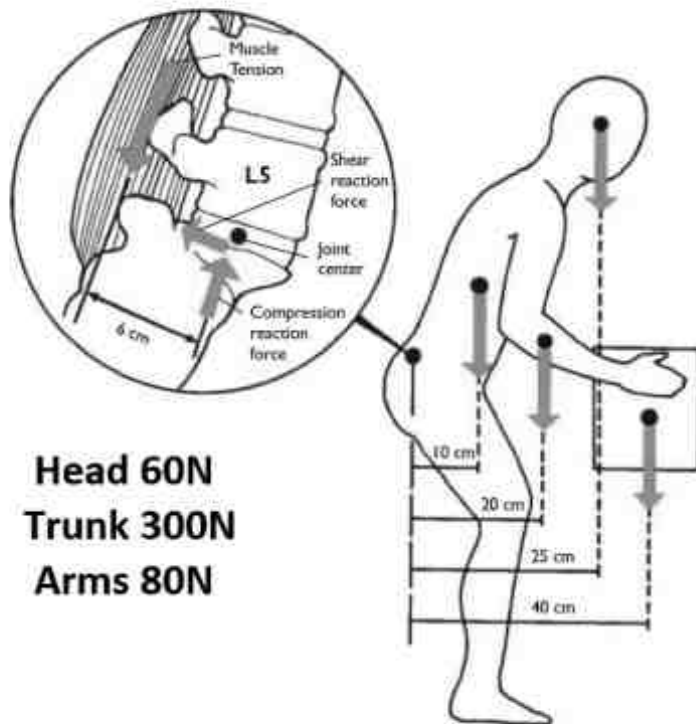
۱۳۷- آزادترین مفصل از نظر حرکت در بدن انسان کدام است؟

- (۱) مفصل تروکانتر بزرگ  
(۲) مفصل مهره ای گردن  
(۳) مفصل گلیوهمیومرال  
(۴) مفصل انگشت شست دست

۱۳۸- کدام عضله در حرکت اکستنشن مفصل ران نقش عمده دارد؟

- (۱) Biceps Femoris  
(۲) Gluteus Maximus  
(۳) Semi Membranosus  
(۴) Iliopsoas

۱۳۹- شخصی مطابق شکل وزنه صد نیوتنی را در دست دارد. در این حالت عضلات آگونیست دو برابر عضلات آنتاگونیست با بازوی مساوی نیرو اعمال می‌کنند. نیروی عضلات راست‌کننده ستون فقرات چند نیوتن است؟



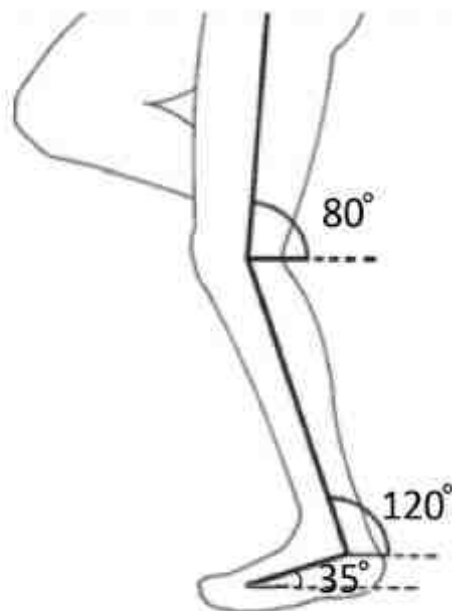
- (۱) ۸۴۱٫۷
- (۲) ۱۱۲۲٫۲
- (۳) ۱۶۸۳٫۳
- (۴) ۲۳۶۶٫۷

۱۴۰- موقعیت قدامی - خلفی مفصل زانو توسط دستگاه آنالیز حرکت با فرکانس ۲۰۰ هرتز در پنج فریم متوالی بر حسب میلی‌متر ثبت شده است. از روش مشتق مرکزی شتاب قدامی - خلفی این مفصل در فریم میانی چند متر بر مجذور ثانیه است؟

Knee A-P (mm): 102.3, 102.8, 103.6, 104.2, 104.5

- (۱) -۴
- (۲) -۰٫۰۴
- (۳) ۰٫۰۹
- (۴) ۰٫۱۳

۱۴۱- در شکل زیر زاویه آناتومیکی مفصل مچ پا چند درجه است؟ (در حالت آناتومیکی پایه ساق بر پا عمود فرض شود)



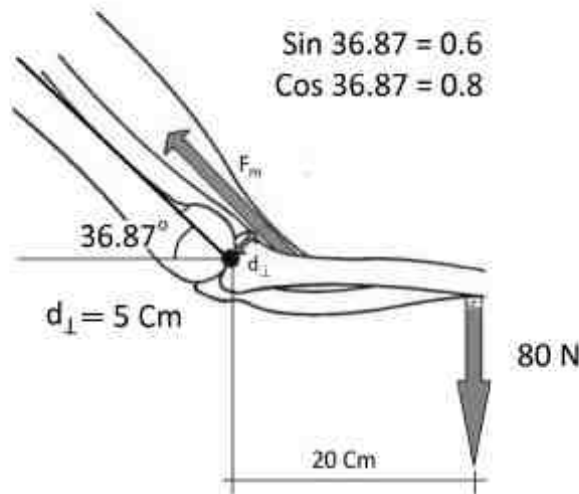
- (۱) ۵
- (۲) ۳۵
- (۳) ۶۰
- (۴) ۹۵

۱۴۲- مولفه قائم نیروی عکس‌العمل زمین بر روی یک پا در هنگام دویدن چه کسری از وزن بدن است؟

- (۱) ۰٫۵
- (۲) ۱٫۵
- (۳) ۳
- (۴) ۵



۱۴۳- در شکل زیر وزن ساعد و دست و وزنه در مرکز نیرویی آن در فاصله ۲۰ سانتیمتری مرکز چرخش مفصل آرنج اعمال شده است. با فرض اینکه عضله مخالف حرکت، نیرویی نداشته باشد، نیروی وارد بر مفصل آرنج چند نیوتن است؟

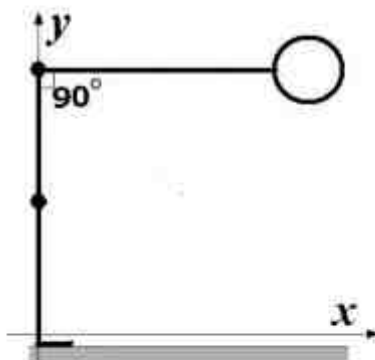


- (۱) ۸۰
- (۲) ۳۲۰
- (۳) ۵۲۰/۶
- (۴) ۶۱۳/۳

۱۴۴- برای کودکی به وزن ۲۰۰ نیوتن و قد ۱۰۰ سانتیمتر ممان اینرسی پا (Foot) حول مفصل مچ پا (Ankle) چند کیلوگرم متر مربع است؟ وزن پا ۱۴۵/۰ و وزن کل بدن و طول آناتومیکی پا یک دهم طول قد و شعاع چرخش پا حول مچ ۶۹/۰ طول آناتومیکی پا فرض شود.

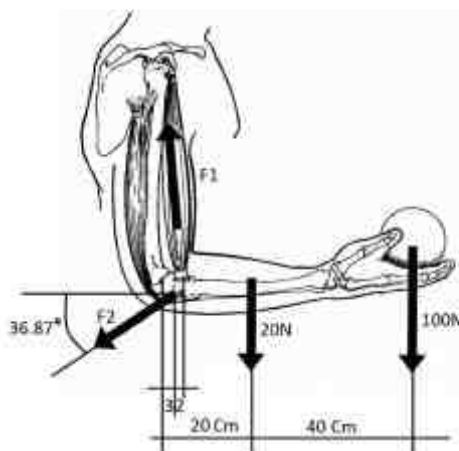
- (۱) ۰/۰۰۱۴
- (۲) ۰/۰۲۱
- (۳) ۲/۰۷
- (۴) ۱۴/۲۸

۱۴۵- نسبت مرکز ثقل «سر، تنه و دست‌ها (HAT)» تا انتهای دیستال به طول آناتومیک آن ۰/۴، و وزن آن ۶۷۸/۰ و وزن بدن و طول آناتومیک آن ۲۸۸/۰ طول قد است. مختصه x مرکز ثقل کل بدن برای شخصی به قد دو متر در شکل زیر چند سانتی‌متر است؟



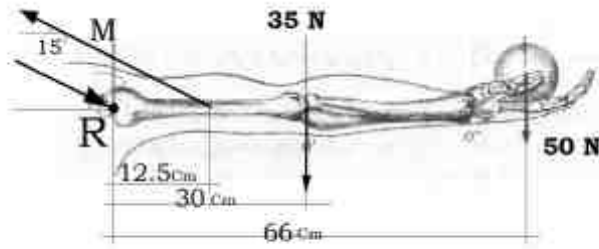
- (۱) ۷/۸
- (۲) ۱۱/۷
- (۳) ۱۵/۶
- (۴) ۲۳/۴

۱۴۶- در شکل داده شده نیروی عضله آگونیسست دو برابر عضله آنتاگونیست است. نیروی عضله دوسربازویی (Biceps) چند نیوتن است؟



- (۱) ۳۴۱/۵
- (۲) ۶۸۳
- (۳) ۷۸۰/۵
- (۴) ۱۵۶۱

۱۴۷- در شکل زیر برآیند گشتاورهای وارد بر مفصل شانه چند نیوتن متر است؟ ( $\tan 15^\circ = 0,268$ )

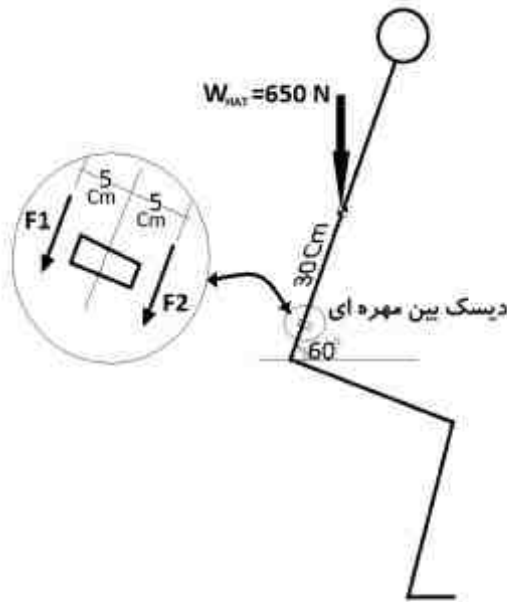


- (۱) صفر
- (۲) ۲۱,۷۵
- (۳) ۴۳,۵
- (۴) ۸۷

۱۴۸- مولفه عمودی نیروی عکس‌العمل زمین در لحظه‌ی میانی فاز ایستایش (Stance) ۸۰۰ نیوتن است. در این لحظه مولفه قدامی خلفی مفصل مچ پا ۸۶/۵ سانتیمتر و موقعیت قدامی خلفی مرکز فشار کف پا ۲۴۶/۵ سانتیمتر است. در این زمان گشتاور این مولفه حول مفصل مچ پا چند نیوتن متر است؟

- (۱) ۱۹۷۲
- (۲) ۱۲۸۰
- (۳) ۶۹۲
- (۴) ۶۴۰

۱۴۹- شخصی مطابق شکل زیر قرار گرفته است. دست‌ها در کنار تنه به موازات بدن قرار گرفته‌اند. نسبت نیروی عضلات آنتاگونیست نگهدارنده تنه به آگونیست ۸۰ درصد است. در این حالت نیروی وارد بر دیسک بین مفصلی چند نیوتن است؟



- (۱) ۱۹۵۰
- (۲) ۷۸۰۰
- (۳) ۹۷۵۰
- (۴) ۵۴۲۰

۱۵۰- موقعیت سه نقطه از پای راست در یک لحظه بر حسب میلی‌متر داده شده است. کسینوس زاویه فضایی مفصل مچ پا در این لحظه چه مقدار است؟

	x	y	z
Toe	۴۸۰	۳۰	۰
Ankle	۲۳۰	۳۰	۵۰
knee	۳۳۰	۵۰	۵۵۰

- (۱) ۰,۷۶
- (۲) ۰
- (۳) ۰,۸۳
- (۴) ۰,۳۸

دروس پایه پزشکی (فیزیولوژی، آناتومی، فیزیک پزشکی):

۱۵۱- زین ترکی به کدام بطن مغزی نزدیکتر است؟

- (۱) اول
- (۲) دوم
- (۳) سوم
- (۴) چهارم

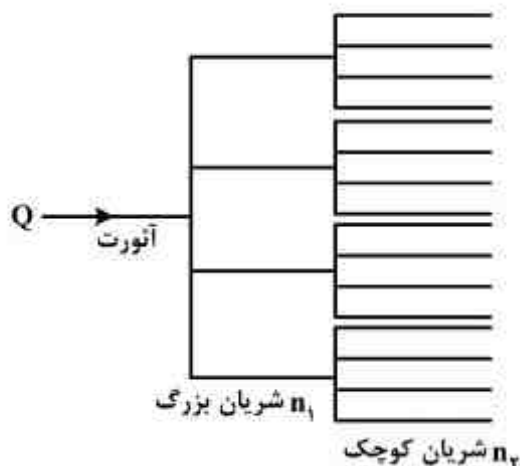
۱۵۲- کدام عضو اهمیت کمتری در تنظیم دید نزدیک و یا دور دارد؟

- (۱) جسم مزگانی
- (۲) عنبیه
- (۳) عدسی
- (۴) قرنیه

۱۵۳- کدام قسمت گوش داخلی نقش کمتری در تعادل دارد؟

- (۱) اوتریکول
- (۲) حلزون
- (۳) ساکول
- (۴) مجاری نیم‌دایره

- ۱۵۴- یک مهره کمربندی چند سطح مفصلی دارد؟  
 (۱) ۳ (۲) ۴ (۳) ۵ (۴) ۶
- ۱۵۵- کدام عضله در حرکات استخوان بازو مؤثرتر است؟  
 (۱) دلتوئید (۲) بازویی (۳) دوسر (۴) سه سر
- ۱۵۶- اختلال در کدام دریچه قلبی تأثیر بیشتری بر ریه‌ها می‌گذارد؟  
 (۱) دو لتی (۲) سه لتی (۳) شریان ریوی (۴) شریان آئورت
- ۱۵۷- کار عضلات تنفسی بیشتر برای غلبه بر چه مقاومتی است؟  
 (۱) بافتی (۲) ارتجاعی (۳) کشش سطحی (۴) مجاری هوایی
- ۱۵۸- کدام ظرفیت ریوی را نمی‌توان عروق مستقیماً توسط اسپرومتری اندازه گرفت؟  
 (۱) دمی (۲) حیاتی (۳) کل ریوی (۴) بازدمی
- ۱۵۹- عضلات صاف کدام عروق با افزایش فشار خون منقبض می‌شوند؟  
 (۱) شریان‌های کوچک (۲) شریانچه‌ها (۳) آئورت (۴) مویرگ‌ها
- ۱۶۰- در زمان اعمال نیروهای مکانیکی، کدام قسمت واسطه رفتار سلولی است؟  
 (۱) غشاء (۲) اسکلت (۳) میتوکندری (۴) شبکه آندوپلاسمی
- ۱۶۱- پدیده دایر در جریان خون عمدتاً براساس کدام جزء خون است؟  
 (۱) پلاسما (۲) پلاک (۳) گلبول سفید (۴) گلبول قرمز
- ۱۶۲- در یک کلیه نارسا، کدام فشار تغییرات بیشتری را نسبت به کلیه سالم متحمل می‌شود؟  
 (۱) اسمزی کلوئیدی کپسول بومن (۲) هیدروستاتیک کپسول بومن  
 (۳) اسمزی کلوئیدی گلومرول (۴) هیدروستاتیک گلومرول
- ۱۶۳- تعداد درجات آزادی کدام یک از مفاصل زیر صحیح نیست؟  
 (۱) مفصل زینی، ۲ درجه (۲) مفصل لقمه‌ای، ۲ درجه  
 (۳) مفصل استوانه‌ای، ۱ درجه (۴) مفصل مسطح، ۱ درجه
- ۱۶۴- اگر گلبول‌های قرمز در اثر نوعی بیماری به یکدیگر بچسبند تا مجموعه‌هایی با قطری معادل دو برابر قطر عادی ایجاد کنند، زمان ته‌نشینی سلول‌های خونی هنگامی که خون در لوله آزمایشی رها شود چند برابر می‌شوند؟  
 (۱)  $\frac{1}{4}$  (۲)  $\frac{1}{2}$  (۳) ۲ (۴) ۴
- ۱۶۵- فردی که با وجود اندازه طبیعی کره چشم به علت عدم تطابق مناسب عدسی‌اش دارای نقطه دور  $0.5m$  می‌باشد، برای اصلاح دید خود از چه عینکی باید استفاده کند؟  
 (۱) عدسی مقعر، توان یک و نیم دیوپتر (۲) عدسی محدب، توان یک و نیم دیوپتر  
 (۳) عدسی محدب، توان دو دیوپتر (۴) عدسی مقعر، توان دو دیوپتر
- ۱۶۶- موجی صوتی با شدت مشخصی، یکبار در محیطی با امپدانس صوتی  $Z$  و بار دوم در محیطی با امپدانس صوتی  $2500Z$  منتشر می‌شود. ماکزیمم فشار صوت در محیط دوم چند برابر محیط اول است؟  
 (۱) ۵۰ (۲) ۲۵۰۰ (۳)  $\frac{1}{50}$  (۴)  $\frac{1}{2500}$
- ۱۶۷- فرض کنید که در شکل شماتیک زیر، مجموعه‌ای از عروق شامل آئورت، شریان‌های بزرگ و شریان‌های کوچک ترسیم شده‌اند. اگر شعاع تمام شریان‌های کوچک دو برابر شود و میزان دبی عبوری از آنها ثابت بماند، افت فشار مجموعه شریان‌های کوچک چه تغییری می‌کند؟  
 (۱) ۴ (۲)  $\frac{1}{4}$  (۳) ۱۶ (۴)  $\frac{1}{16}$





۱۶۸- فردی با دمای بدن  $37^{\circ}\text{C}$ ، مساحت سطح  $1.8\text{m}^2$  و متابولیسم پایه  $80 \frac{\text{kcal}}{\text{hr}}$  در حال استراحت،  $30 \frac{\text{kcal}}{\text{hr}}$  انرژی از خورشید دریافت می‌کند. اگر دمای محیط  $27^{\circ}\text{C}$  و ضریب جابه‌جایی محیط  $2 \frac{\text{kcal}}{\text{m}^2\text{hr}^{\circ}\text{C}}$  و میزان اتلاف حرارت از طریق تنفس و تعرق  $14\text{kcal}$  باشد، فرد چقدر حرارت از طریق تشعشع باید از دست بدهد تا با صرف‌نظر از هدایت، دمای بدن او ثابت بماند؟

(۱) ۹۶

(۲) ۷۴

(۳) ۶۰

(۴) ۴۰

۱۶۹- کدام مورد از مکانیزم‌های تنظیم دمای بدن نیست؟

(۱) تنظیم فشار خون توسط قلب

(۲) تنظیم قطر عروق

(۳) تنظیم میزان تعریق

(۴) لرزش اندام‌ها

۱۷۰- اگر شخصی، هر روز یک ساعت و نیم دوچرخه سواری با نرخ مصرف اکسیژن  $2 \frac{\text{lit}}{\text{min}}$  داشته باشد و بدانیم که هر گرم چربی  $9\text{kcal}$  انرژی دارد، این فرد برای کم کردن ۵ کیلوگرم از وزن خود باید با حفظ رژیم غذایی قبلی، چند روز به این ورزش ادامه دهد؟

(۱) ۱۰۰

(۲) ۹۰

(۳) ۵۰

(۴) ۴۵

